

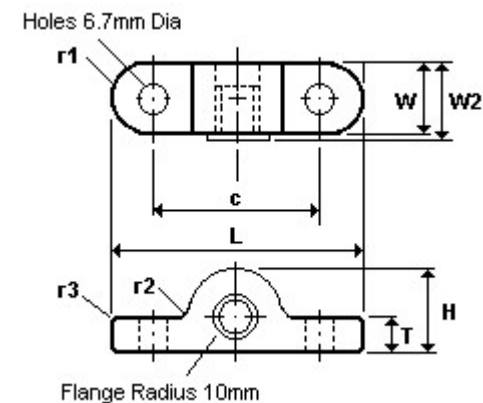


# MBA

## Housings - Bearing - Blocks - Nylon with Ertalyte Bearing

Flanged Ertalyte Bearing in Moulded Nylon 101 Housing.

- Self-Lubricating.
- High Performance.
- Electrically Insulating.



## Housings - Bearing - Blocks - Nylon with Ertalyte Bearing

Part Number	Bore Diameter (+0.10/+0.05) mm	Overall Length (L) mm	Bolt Hole Centres (c) mm	Width (W) mm	Overall Width (W2) mm	Height (H) mm	Foot Thickness (T) mm	Radius 1 (R1) mm	Radius 2 (R2) mm	Radius 3 (R3) mm
BBF-4.000-ERT	4.000 0.157	56.000 2.205	38.000 1.496	16.000 0.630	18.000 0.709	18.000 0.709	8.700 0.343	8.000 0.315	2.000 0.079	1.500 0.059
# BBF-4.762-ERT	4.763 0.188	57.150 2.250	38.100 1.500	15.875 0.625	17.463 0.688	17.859 0.703	8.730 0.344	7.938 0.313	3.175 0.125	1.588 0.063
# BBF-5.000-ERT	5.000 0.197	56.000 2.205	38.000 1.496	16.000 0.630	18.000 0.709	18.000 0.709	8.700 0.343	8.000 0.315	2.000 0.079	1.500 0.059
BBF-6.000-ERT	6.000 0.236	56.000 2.205	38.000 1.496	16.000 0.630	18.000 0.709	18.000 0.709	8.700 0.343	8.000 0.315	2.000 0.079	1.500 0.059

# Indicates item not stocked at time of printing - Please enquire for lead time

E&OE Pricing and all details subject to change without notice - Copyright Miniature Bearings Australia Pty Ltd

MBA Size Listings are a guide to sizes only and must not be solely relied on for critical design information.

## Housings - Bearing - Blocks - Nylon with Ertalyte Bearing

Part Number	Bore Diameter (+0.10/+0.05) mm	Overall Length (L) mm	Bolt Hole Centres (c) mm	Width (W) mm	Overall Width (W2) mm	Height (H) mm	Foot Thickness (T) mm	Radius 1 (R1) mm	Radius 2 (R2) mm	Radius 3 (R3) mm
# BBF-6.350-ERT	6.350 <i>0.250</i>	57.150 <i>2.250</i>	38.100 <i>1.500</i>	15.875 <i>0.625</i>	17.463 <i>0.688</i>	17.859 <i>0.703</i>	8.730 <i>0.344</i>	7.938 <i>0.313</i>	3.175 <i>0.125</i>	1.588 <i>0.063</i>
# BBF-7.938-ERT	7.938 <i>0.313</i>	57.150 <i>2.250</i>	38.100 <i>1.500</i>	15.875 <i>0.625</i>	17.463 <i>0.688</i>	17.859 <i>0.703</i>	8.730 <i>0.344</i>	7.938 <i>0.313</i>	3.175 <i>0.125</i>	1.588 <i>0.063</i>
BBF-8.000-ERT	8.000 <i>0.315</i>	56.000 <i>2.205</i>	38.000 <i>1.496</i>	16.000 <i>0.630</i>	18.000 <i>0.709</i>	18.000 <i>0.709</i>	8.700 <i>0.343</i>	8.000 <i>0.315</i>	2.000 <i>0.079</i>	1.500 <i>0.059</i>
# BBF-9.525-ERT	9.525 <i>0.375</i>	57.150 <i>2.250</i>	38.100 <i>1.500</i>	15.875 <i>0.625</i>	17.463 <i>0.688</i>	17.859 <i>0.703</i>	8.730 <i>0.344</i>	7.938 <i>0.313</i>	3.175 <i>0.125</i>	1.588 <i>0.063</i>

# Indicates item not stocked at time of printing - Please enquire for lead time

E&OE Pricing and all details subject to change without notice - Copyright Miniature Bearings Australia Pty Ltd

MBA Size Listings are a guide to sizes only and must not be solely relied on for critical design information.



DISTRIBUTED BY

Ask us to put your name and address here

<http://www.minibearings.com.au/product>

Ph +61 7 3245 7977

Fax +61 7 3245 1017

Catalogue requests to [catalogues@minibearings.com.au](mailto:catalogues@minibearings.com.au)

