



# MBA

## Housings - Bearing - Blocks - Nylon

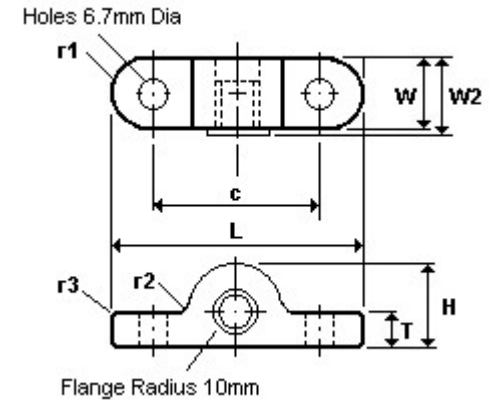
Moulded Nylon 101 Housing. Suit miniature bearings.

Inexpensive retention of small flanged radial bearings or bushes.

Standard flanged bearings snap into these bearing blocks.

Not intended for precision applications.

A small drop of adhesive may be required to ensure bearing remains in place.



## Housings - Bearing - Blocks - Nylon

Part Number	Suits Bearing OD mm	Overall Length (L) mm	Bolt Hole Centres (c) mm	Width (W) mm	Height (H) mm	Foot Thickness (T) mm	Radius 1 (R1) mm	Radius 2 (R2) mm	Radius 3 (R3) mm
	<i>inches</i>	<i>inches</i>	<i>inches</i>	<i>inches</i>	<i>inches</i>	<i>inches</i>	<i>inches</i>	<i>inches</i>	<i>inches</i>
# BBN-079	7.94 <i>0.313</i>	57.15 <i>2.250</i>	38.10 <i>1.500</i>	15.80 <i>0.622</i>	17.86 <i>0.703</i>	8.73 <i>0.344</i>	7.94 <i>0.313</i>	3.18 <i>0.125</i>	1.59 <i>0.063</i>
# BBN-080	8.00 <i>0.315</i>	56.00 <i>2.205</i>	38.00 <i>1.496</i>	15.80 <i>0.622</i>	18.00 <i>0.709</i>	8.70 <i>0.343</i>	8.00 <i>0.315</i>	2.00 <i>0.079</i>	1.50 <i>0.059</i>
# BBN-100	10.00 <i>0.394</i>	56.00 <i>2.205</i>	38.00 <i>1.496</i>	15.80 <i>0.622</i>	18.00 <i>0.709</i>	8.70 <i>0.343</i>	8.00 <i>0.315</i>	2.00 <i>0.079</i>	1.50 <i>0.059</i>

# Indicates item not stocked at time of printing - Please enquire for lead time

E&OE Pricing and all details subject to change without notice - Copyright Miniature Bearings Australia Pty Ltd

MBA Size Listings are a guide to sizes only and must not be solely relied on for critical design information.

## Housings - Bearing - Blocks - Nylon

Part Number	Suits Bearing OD mm	Overall Length (L) mm	Bolt Hole Centres (c) mm	Width (W) mm	Height (H) mm	Foot Thickness (T) mm	Radius 1 (R1) mm	Radius 2 (R2) mm	Radius 3 (R3) mm
	<i>inches</i>	<i>inches</i>	<i>inches</i>	<i>inches</i>	<i>inches</i>	<i>inches</i>	<i>inches</i>	<i>inches</i>	<i>inches</i>
# BBN-120	12.00 <i>0.472</i>	56.00 <i>2.205</i>	38.00 <i>1.496</i>	15.80 <i>0.622</i>	18.00 <i>0.709</i>	8.70 <i>0.343</i>	8.00 <i>0.315</i>	2.00 <i>0.079</i>	1.50 <i>0.059</i>

# Indicates item not stocked at time of printing - Please enquire for lead time

E&OE Pricing and all details subject to change without notice - Copyright Miniature Bearings Australia Pty Ltd

MBA Size Listings are a guide to sizes only and must not be solely relied on for critical design information.



DISTRIBUTED BY

Ask us to put your name and address here

<http://www.minibearings.com.au/product>

Ph +61 7 3245 7977

Fax +61 7 3245 1017

Catalogue requests to [catalogues@minibearings.com.au](mailto:catalogues@minibearings.com.au)
