

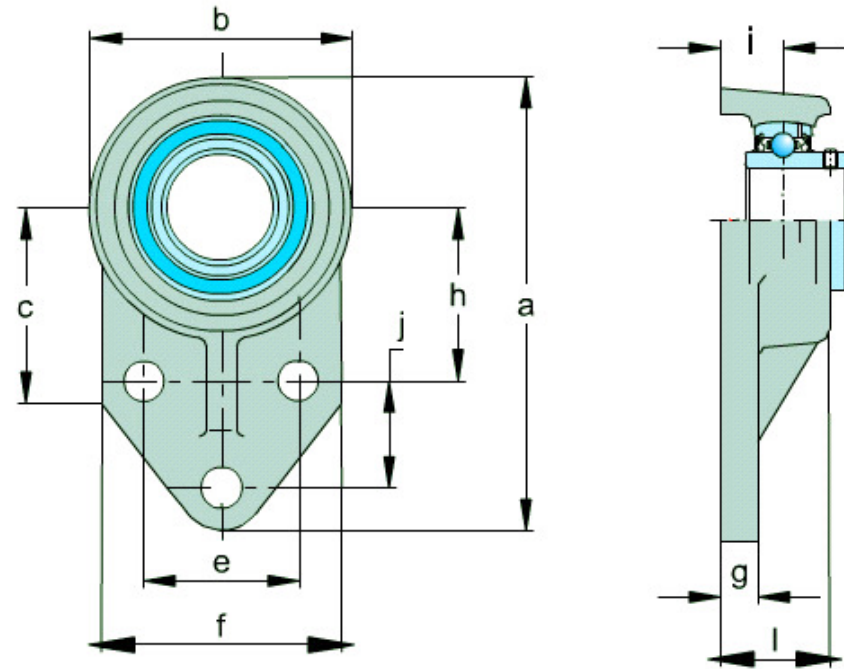


MBA

Housings - Bearing - Flanged - 3 Bolt Bracket - Plastic

Load and speed capability depend on the bearing used.
Use with steel bearing inserts for plastic housings.

This catalogue to be read in conjunction with information at
<http://www.minibearings.com.au//partslist/bearingsforcastironhousings/insertbearingsandhousings/wide/1/>
<http://www.minibearings.com.au//partslist/bearingsforplastic housings/insertbearingsandhousings/wide/1/>



Housings - Bearing - Flanged - 3 Bolt Bracket - Plastic

Part Number	Overall Height (a) mm	Bolt Centres to Brg Centre (h) mm	Bolt Hole Centres (e) mm	Bolt Hole Centres (j) mm	Base to Bearing Centre (i) mm	Base Thickness (g) mm	To Suit Bearing	Bolt Hole Size mm	Overall Thickness No Brg (l) mm	Overall Width (b) mm
	<i>inches</i>	<i>inches</i>	<i>inches</i>	<i>inches</i>	<i>inches</i>	<i>inches</i>		<i>inches</i>	<i>inches</i>	<i>inches</i>
#FB204PE	110	42	32	27	15	13	UC204 - S6- UC204 - S440- UC204	5/16 Inch	25.5	62
	4.331	1.654	1.260	1.063	0.591	0.512			1.004	2.441

Indicates item not stocked at time of printing - Please enquire for lead time

E&OE Pricing and all details subject to change without notice - Copyright Miniature Bearings Australia Pty Ltd

MBA Size Listings are a guide to sizes only and must not be solely relied on for critical design information.

Housings - Bearing - Flanged - 3 Bolt Bracket - Plastic

Part Number	Overall Height (a) mm	Bolt Centres to Brg Centre (h) mm	Bolt Hole Centres (e) mm	Bolt Hole Centres (j) mm	Base to Bearing Centre (i) mm	Base Thickness (g) mm	To Suit Bearing	Bolt Hole Size mm	Overall Thickness No Brg (l) mm	Overall Width (b) mm
	<i>inches</i>	<i>inches</i>	<i>inches</i>	<i>inches</i>	<i>inches</i>	<i>inches</i>		<i>inches</i>	<i>inches</i>	<i>inches</i>
# FB205PE	116	45	45	27	16	13	UC205 - S6-UC205 - S440-UC205	M8	27	68
	<i>4.567</i>	<i>1.772</i>	<i>1.772</i>	<i>1.063</i>	<i>0.630</i>	<i>0.512</i>			<i>1.063</i>	<i>2.677</i>
# FB206PE	130	50	50	29	18	13	UC206 - S6-UC206 - S440-UC206	M8	31	78
	<i>5.118</i>	<i>1.969</i>	<i>1.969</i>	<i>1.142</i>	<i>0.709</i>	<i>0.512</i>			<i>1.220</i>	<i>3.071</i>
# FB207PE	144	55	46	32	19	15	UC207 - S6-UC207 - S440-UC207	M8	34	90
	<i>5.669</i>	<i>2.165</i>	<i>1.811</i>	<i>1.260</i>	<i>0.748</i>	<i>0.591</i>			<i>1.339</i>	<i>3.543</i>
# FB208PE	164	60	50	41	21	16	UC208 - S6-UC208 - S440-UC208	M10	36	100
	<i>6.457</i>	<i>2.362</i>	<i>1.969</i>	<i>1.614</i>	<i>0.827</i>	<i>0.630</i>			<i>1.417</i>	<i>3.937</i>

Indicates item not stocked at time of printing - Please enquire for lead time

E&OE Pricing and all details subject to change without notice - Copyright Miniature Bearings Australia Pty Ltd

MBA Size Listings are a guide to sizes only and must not be solely relied on for critical design information.



DISTRIBUTED BY

Ask us to put your name and address here

<http://www.minibearings.com.au/product>

Ph +61 7 3245 7977

Fax +61 7 3245 1017

Catalogue requests to catalogues@minibearings.com.au
