



# MBA

## Housings - Bearing - Pillow Block - Miniature

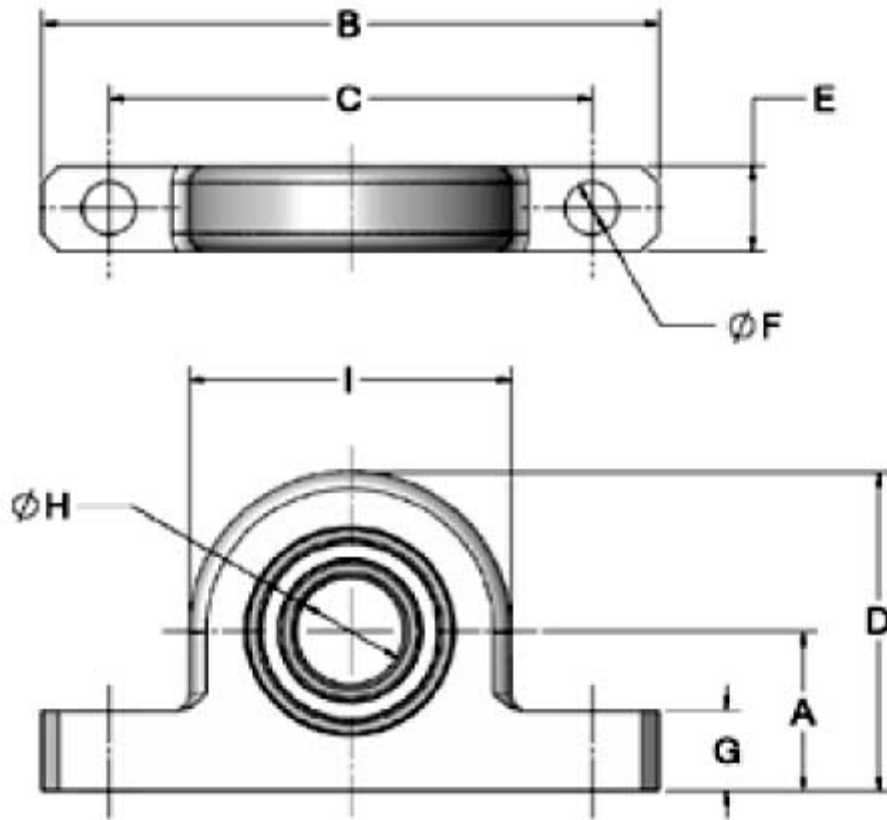
Aluminium pillow block housings mounted with 440C stainless miniature bearings

No more need for expensive engineering of housings to suit your new applications.

Fully greased Japanese 440C Grade corrosion resistant stainless steel ball bearings

Double shielded bearings to minimise contamination

This catalogue to be read in conjunction with information at [http://www.minibearings.com.au/ogue/tech/spyraflo/Mounted\\_Bearings.pdf](http://www.minibearings.com.au/ogue/tech/spyraflo/Mounted_Bearings.pdf)



### Housings - Bearing - Pillow Block - Miniature

Part Number	Shaft Diameter H	Max RPM	Dynamic Load Capacity Newtons	Centre Height A	Overall Length B	Bolt Hole Centres C	Height D	Width E	Hole Diameters F	Base Height G

# Indicates item not stocked at time of printing - Please enquire for lead time

E&OE Pricing and all details subject to change without notice - Copyright Miniature Bearings Australia Pty Ltd

MBA Size Listings are a guide to sizes only and must not be solely relied on for critical design information.

## Housings - Bearing - Pillow Block - Miniature

Part Number	Shaft Diameter H	Max RPM	Dynamic Load Capacity Newtons	Centre Height A	Overall Length B	Bolt Hole Centres C	Height D	Width E	Hole Diameters F	Base Height G
PB0-SR2-8AZZ	3.175	56000	656	9.525	36.576	28.575	19.05	5.08	3.175	4.826
PB0-S604ZZ	4.000	48000	1000	9.525	36.576	28.575	19.05	5.08	3.175	4.826
PB0-SR3CZZ	4.763	43000	1356	9.525	36.576	28.575	19.05	5.08	3.175	4.826
# PB0-SWR3CZZ	4.763	43000	1356	9.525	36.576	28.575	19.05	5.08 / 5.771 (Extended Inner Ring)	3.175	4.826
PB0-S695ZZ	5.000	43000	1130	9.525	36.576	28.575	19.05	5.08	3.175	4.826
PB0-SMR126AZZ	6.000	43000	750	9.525	36.576	28.575	19.05	5.08	3.175	4.826
# PB0-SWR188AZZ	6.350	40000	1120	9.525	36.576	28.575	19.05	5.08 / 5.556 (Extended Inner Ring)	3.175	4.826
PB0-SR188AZZ	6.350	40000	1120	9.525	36.576	28.575	19.05	5.08	3.175	4.826
# PB0-SWR1810ZZS	7.938	40000	560	9.525	36.576	28.575	19.05	5.08 (Extended Inner Ring within Housing Width)	3.175	4.826
PB0-SR1810ZZS	7.938	40000	560	9.525	36.576	28.575	19.05	5.08	3.175	4.826
PB0-SMR128AZZ	8.000	40000	560	9.525	36.576	28.575	19.05	5.08	3.175	4.826
PB1-SR6AZZ	9.525	32000	969	14.287	57.15	44.450	28.70	10.16	3.962	6.35

# Indicates item not stocked at time of printing - Please enquire for lead time

E&OE Pricing and all details subject to change without notice - Copyright Miniature Bearings Australia Pty Ltd

MBA Size Listings are a guide to sizes only and must not be solely relied on for critical design information.

## Housings - Bearing - Pillow Block - Miniature

Part Number	Shaft Diameter H	Max RPM	Dynamic Load Capacity Newtons	Centre Height A	Overall Length B	Bolt Hole Centres C	Height D	Width E	Hole Diameters F	Base Height G
PB1-S6800BZZ	10.000	37000	1780	14.287	57.15	44.450	28.70	10.16	3.962	6.35

# Indicates item not stocked at time of printing - Please enquire for lead time

E&OE Pricing and all details subject to change without notice - Copyright Miniature Bearings Australia Pty Ltd

MBA Size Listings are a guide to sizes only and must not be solely relied on for critical design information.



DISTRIBUTED BY

Ask us to put your name and address here

<http://www.minibearings.com.au/product>

Ph +61 7 3245 7977

Fax +61 7 3245 1017

Catalogue requests to [catalogues@minibearings.com.au](mailto:catalogues@minibearings.com.au)

