



MBA

Joints - Dual Eye - Parallel

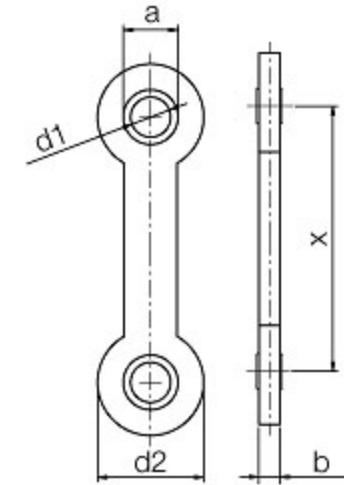
Maintenance free - self lubricating thermoplastic.

Mechanical joining linkage.

Self aligning to compensate for angular misalignment.

MSTS = Maximum Static Tensile Strength.

MSAS = Maximum Static Axial Compressive Strength.



Joints - Dual Eye - Parallel

Part Number	Eye Size (d1) mm <i>inches</i>	Housing OD (d2) mm <i>inches</i>	Centre Distance (x) mm <i>inches</i>	Head Thickness (b) mm <i>inches</i>	Ball Outer Edge (a) mm <i>inches</i>	MSTS (Short Term) N	MSTS (Long Term) N	MSAS (Short Term) N	MSAS (Long Term) N
# EGZM-04-25	4.00 <i>0.157</i>	20.00 <i>0.787</i>	25.00 <i>0.984</i>	4.00 <i>0.157</i>	10.00 <i>0.394</i>	1100	550	1300	650
# EGZM-04-30	4.00 <i>0.157</i>	20.00 <i>0.787</i>	30.00 <i>1.181</i>	4.00 <i>0.157</i>	10.00 <i>0.394</i>	1100	550	750	375
# EGZM-04-50	4.00 <i>0.157</i>	20.00 <i>0.787</i>	50.00 <i>1.969</i>	4.00 <i>0.157</i>	10.00 <i>0.394</i>	1100	550	600	300

Indicates item not stocked at time of printing - Please enquire for lead time

E&OE Pricing and all details subject to change without notice - Copyright Miniature Bearings Australia Pty Ltd

MBA Size Listings are a guide to sizes only and must not be solely relied on for critical design information.

Joins - Dual Eye - Parallel

Part Number	Eye Size (d1) mm <i>inches</i>	Housing OD (d2) mm <i>inches</i>	Centre Distance (x) mm <i>inches</i>	Head Thickness (b) mm <i>inches</i>	Ball Outer Edge (a) mm <i>inches</i>	MSTS (Short Term) N	MSTS (Long Term) N	MSAS (Short Term) N	MSAS (Long Term) N
# EGZM-04-75	4.00 <i>0.157</i>	20.00 <i>0.787</i>	75.00 <i>2.953</i>	4.00 <i>0.157</i>	10.00 <i>0.394</i>	1100	550	500	250
# EGZM-05-25	5.00 <i>0.197</i>	20.00 <i>0.787</i>	25.00 <i>0.984</i>	4.00 <i>0.157</i>	10.00 <i>0.394</i>	1100	550	1300	650
# EGZM-05-50	5.00 <i>0.197</i>	20.00 <i>0.787</i>	50.00 <i>1.969</i>	4.00 <i>0.157</i>	10.00 <i>0.394</i>	1100	550	750	375
# EGZM-05-75	5.00 <i>0.197</i>	20.00 <i>0.787</i>	75.00 <i>2.953</i>	4.00 <i>0.157</i>	10.00 <i>0.394</i>	1100	550	500	250
# EGZM-06-25	6.00 <i>0.236</i>	20.00 <i>0.787</i>	25.00 <i>0.984</i>	4.00 <i>0.157</i>	10.00 <i>0.394</i>	1100	550	1300	650
# EGZM-06-50	6.00 <i>0.236</i>	20.00 <i>0.787</i>	50.00 <i>1.969</i>	4.00 <i>0.157</i>	10.00 <i>0.394</i>	1100	550	750	375
# EGZM-06-53.5	6.00 <i>0.236</i>	20.00 <i>0.787</i>	53.50 <i>2.106</i>	4.00 <i>0.157</i>	10.00 <i>0.394</i>	1100	550	700	350
# EGZM-06-75	6.00 <i>0.236</i>	20.00 <i>0.787</i>	75.00 <i>2.953</i>	4.00 <i>0.157</i>	10.00 <i>0.394</i>	1100	550	500	250
# EGZM-08-66.8	8.00 <i>0.315</i>	30.00 <i>1.181</i>	66.80 <i>2.630</i>	7.00 <i>0.276</i>	15.00 <i>0.591</i>	3000	1500	3200	1600
# EGZM-10-66.8	10.00 <i>0.394</i>	30.00 <i>1.181</i>	66.80 <i>2.630</i>	7.00 <i>0.276</i>	15.00 <i>0.591</i>	2500	1250	3200	1600

Indicates item not stocked at time of printing - Please enquire for lead time

E&OE Pricing and all details subject to change without notice - Copyright Miniature Bearings Australia Pty Ltd

MBA Size Listings are a guide to sizes only and must not be solely relied on for critical design information.

Joins - Dual Eye - Parallel

Part Number	Eye Size (d1) mm	Housing OD (d2) mm	Centre Distance (x) mm	Head Thickness (b) mm	Ball Outer Edge (a) mm	MSTS (Short Term) N	MSTS (Long Term) N	MSAS (Short Term) N	MSAS (Long Term) N
	<i>inches</i>	<i>inches</i>	<i>inches</i>	<i>inches</i>	<i>inches</i>				
# EGZM-12-66.8	12.00	30.00	66.70	7.00	15.00	2000	1000	3200	1600
	<i>0.472</i>	<i>1.181</i>	<i>2.626</i>	<i>0.276</i>	<i>0.591</i>				

Indicates item not stocked at time of printing - Please enquire for lead time

E&OE Pricing and all details subject to change without notice - Copyright Miniature Bearings Australia Pty Ltd

MBA Size Listings are a guide to sizes only and must not be solely relied on for critical design information.



DISTRIBUTED BY

Ask us to put your name and address here

<http://www.minibearings.com.au/product>

Ph +61 7 3245 7977

Fax +61 7 3245 1017

Catalogue requests to catalogues@minibearings.com.au

