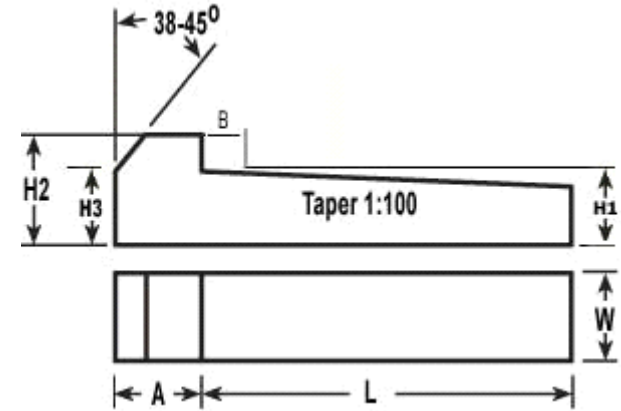




MBA

Keys - Gib Head - Zinc Plated

Tapered 3.000 mm per 300 mm (1:100)



Keys - Gib Head - Zinc Plated

Part Number	Nominal Key Height (h1) mm	Width (W) mm	Length (L) mm	Head Height (h2) Approx. mm	Approx (B) mm	Approx (H3) mm	Material	Taper	Standard	Head Length (Approx) (A) mm
	<i>inches</i>	<i>inches</i>	<i>inches</i>	<i>inches</i>	<i>inches</i>	<i>inches</i>				<i>inches</i>
# GHK0476-0476-076-Z	4.763	4.763	76.2	7.9	5.08	5.56	Zinc Plated Steel	1:100	BS46	6.35
	<i>0.188</i>	<i>0.188</i>	<i>3.000</i>	<i>0.311</i>	<i>0.200</i>	<i>0.219</i>				<i>0.250</i>
# GHK0476-0476-102-Z	4.763	4.763	101.6	7.9	5.08	5.56	Zinc Plated Steel	1:100	BS46	6.35
	<i>0.188</i>	<i>0.188</i>	<i>4.000</i>	<i>0.311</i>	<i>0.200</i>	<i>0.219</i>				<i>0.250</i>
# GHK0476-0635-127-Z	4.763	6.350	127	7.9	5.08	5.56	Zinc Plated Steel	1:100	BS46	7.94
	<i>0.188</i>	<i>0.250</i>	<i>5.000</i>	<i>0.311</i>	<i>0.200</i>	<i>0.219</i>				<i>0.313</i>

Indicates item not stocked at time of printing - Please enquire for lead time

E&OE Pricing and all details subject to change without notice - Copyright Miniature Bearings Australia Pty Ltd

MBA Size Listings are a guide to sizes only and must not be solely relied on for critical design information.

Keys - Gib Head - Zinc Plated

Part Number	Nominal Key Height (h1) mm	Width (W) mm	Length (L) mm	Head Height (h2) Approx. mm	Approx (B) mm	Approx (H3) mm	Material	Taper	Standard	Head Length (Approx) (A) mm
	<i>inches</i>	<i>inches</i>	<i>inches</i>	<i>inches</i>	<i>inches</i>	<i>inches</i>				<i>inches</i>
# GHK0476-0635-152-Z	4.763	6.350	152.4	7.9	5.08	5.56	Zinc Plated Steel	1:100	BS46	7.94
	<i>0.188</i>	<i>0.250</i>	<i>6.000</i>	<i>0.311</i>	<i>0.200</i>	<i>0.219</i>				<i>0.313</i>
# GHK0476-0794-102-Z	4.763	7.938	101.6	7.9	5.08	5.56	Zinc Plated Steel	1:100	BS46	9.53
	<i>0.188</i>	<i>0.313</i>	<i>4.000</i>	<i>0.311</i>	<i>0.200</i>	<i>0.219</i>				<i>0.375</i>
GHK0635-0635-064-Z	6.350	6.350	63.5	11.1	5.08	7.14	Zinc Plated Steel	1:100	BS46	7.94
	<i>0.250</i>	<i>0.250</i>	<i>2.500</i>	<i>0.437</i>	<i>0.200</i>	<i>0.281</i>				<i>0.313</i>
GHK0635-0635-076-Z	6.350	6.350	76.2	11.1	5.08	7.14	Zinc Plated Steel	1:100	BS46	7.94
	<i>0.250</i>	<i>0.250</i>	<i>3.000</i>	<i>0.437</i>	<i>0.200</i>	<i>0.281</i>				<i>0.313</i>
# GHK0635-0635-102-Z	6.350	6.350	101.6	11.1	5.08	7.14	Zinc Plated Steel	1:100	BS46	7.94
	<i>0.250</i>	<i>0.250</i>	<i>4.000</i>	<i>0.437</i>	<i>0.200</i>	<i>0.281</i>				<i>0.313</i>
# GHK0635-0635-127-Z	6.350	6.350	127	11.1	5.08	7.14	Zinc Plated Steel	1:100	BS46	7.94
	<i>0.250</i>	<i>0.250</i>	<i>5.000</i>	<i>0.437</i>	<i>0.200</i>	<i>0.281</i>				<i>0.313</i>
# GHK0635-0635-152-Z	6.350	6.350	152.4	11.1	5.08	7.14	Zinc Plated Steel	1:100	BS46	7.94
	<i>0.250</i>	<i>0.250</i>	<i>6.000</i>	<i>0.437</i>	<i>0.200</i>	<i>0.281</i>				<i>0.313</i>
# GHK0635-0794-076-Z	6.350	7.938	76.2	11.1	5.08	7.14	Zinc Plated Steel	1:100	BS46	9.53
	<i>0.250</i>	<i>0.313</i>	<i>3.000</i>	<i>0.437</i>	<i>0.200</i>	<i>0.281</i>				<i>0.375</i>

Indicates item not stocked at time of printing - Please enquire for lead time

E&OE Pricing and all details subject to change without notice - Copyright Miniature Bearings Australia Pty Ltd

MBA Size Listings are a guide to sizes only and must not be solely relied on for critical design information.

Keys - Gib Head - Zinc Plated

Part Number	Nominal Key Height (h1) mm	Width (W) mm	Length (L) mm	Head Height (h2) Approx. mm	Approx (B) mm	Approx (H3) mm	Material	Taper	Standard	Head Length (Approx) (A) mm
	<i>inches</i>	<i>inches</i>	<i>inches</i>	<i>inches</i>	<i>inches</i>	<i>inches</i>				<i>inches</i>
# GHK0635-0794-127-Z	6.350	7.938	127	11.1	5.08	7.14	Zinc Plated Steel	1:100	BS46	9.53
	<i>0.250</i>	<i>0.313</i>	<i>5.000</i>	<i>0.437</i>	<i>0.200</i>	<i>0.281</i>				<i>0.375</i>
# GHK0635-0794-152-Z	6.350	7.938	152.4	11.1	5.08	7.14	Zinc Plated Steel	1:100	BS46	9.53
	<i>0.250</i>	<i>0.313</i>	<i>6.000</i>	<i>0.437</i>	<i>0.200</i>	<i>0.281</i>				<i>0.375</i>
# GHK0635-0953-064-Z	6.350	9.525	63.5	11.1	5.08	7.14	Zinc Plated Steel	1:100	BS46	11.113
	<i>0.250</i>	<i>0.375</i>	<i>2.500</i>	<i>0.437</i>	<i>0.200</i>	<i>0.281</i>				<i>0.438</i>
# GHK0635-0953-127-Z	6.350	9.525	127	11.1	5.08	7.14	Zinc Plated Steel	1:100	BS46	11.113
	<i>0.250</i>	<i>0.375</i>	<i>5.000</i>	<i>0.437</i>	<i>0.200</i>	<i>0.281</i>				<i>0.438</i>
# GHK0635-0953-152-Z	6.350	9.525	152.4	11.1	5.08	7.14	Zinc Plated Steel	1:100	BS46	11.113
	<i>0.250</i>	<i>0.375</i>	<i>6.000</i>	<i>0.437</i>	<i>0.200</i>	<i>0.281</i>				<i>0.438</i>
# GHK0635-1270-152-Z	6.350	12.700	152.4	11.1	5.08	7.14	Zinc Plated Steel	1:100	BS46	14.29
	<i>0.250</i>	<i>0.500</i>	<i>6.000</i>	<i>0.437</i>	<i>0.200</i>	<i>0.281</i>				<i>0.563</i>
# GHK0794-0794-076-Z	7.938	7.938	76.2	12.7	7.62	8.73	Zinc Plated Steel	1:100	BS46	9.53
	<i>0.313</i>	<i>0.313</i>	<i>3.000</i>	<i>0.500</i>	<i>0.300</i>	<i>0.344</i>				<i>0.375</i>
GHK0794-0794-102-Z	7.938	7.938	101.6	12.7	7.62	8.73	Zinc Plated Steel	1:100	BS46	9.53
	<i>0.313</i>	<i>0.313</i>	<i>4.000</i>	<i>0.500</i>	<i>0.300</i>	<i>0.344</i>				<i>0.375</i>

Indicates item not stocked at time of printing - Please enquire for lead time

E&OE Pricing and all details subject to change without notice - Copyright Miniature Bearings Australia Pty Ltd

MBA Size Listings are a guide to sizes only and must not be solely relied on for critical design information.

Keys - Gib Head - Zinc Plated

Part Number	Nominal Key Height (h1) mm	Width (W) mm	Length (L) mm	Head Height (h2) Approx. mm	Approx (B) mm	Approx (H3) mm	Material	Taper	Standard	Head Length (Approx) (A) mm
	<i>inches</i>	<i>inches</i>	<i>inches</i>	<i>inches</i>	<i>inches</i>	<i>inches</i>				<i>inches</i>
# GHK0794-0794-127-Z	7.938	7.938	127	12.7	7.62	8.73	Zinc Plated Steel	1:100	BS46	9.53
	<i>0.313</i>	<i>0.313</i>	<i>5.000</i>	<i>0.500</i>	<i>0.300</i>	<i>0.344</i>				<i>0.375</i>
# GHK0794-0794-152-Z	7.938	7.938	152.4	12.7	7.62	8.73	Zinc Plated Steel	1:100	BS46	9.53
	<i>0.313</i>	<i>0.313</i>	<i>6.000</i>	<i>0.500</i>	<i>0.300</i>	<i>0.344</i>				<i>0.375</i>
# GHK0794-0953-076-Z	7.938	9.525	76.2	12.7	7.62	8.73	Zinc Plated Steel	1:100	BS46	11.113
	<i>0.313</i>	<i>0.375</i>	<i>3.000</i>	<i>0.500</i>	<i>0.300</i>	<i>0.344</i>				<i>0.438</i>
# GHK0794-0953-102-Z	7.938	9.525	101.6	12.7	7.62	8.73	Zinc Plated Steel	1:100	BS46	11.113
	<i>0.313</i>	<i>0.375</i>	<i>4.000</i>	<i>0.500</i>	<i>0.300</i>	<i>0.344</i>				<i>0.438</i>
# GHK0794-0953-152-Z	7.938	9.525	152.4	12.7	7.62	8.73	Zinc Plated Steel	1:100	BS46	11.113
	<i>0.313</i>	<i>0.375</i>	<i>6.000</i>	<i>0.500</i>	<i>0.300</i>	<i>0.344</i>				<i>0.438</i>
# GHK0794-1111-102-Z	7.938	11.113	101.6	12.7	7.62	8.73	Zinc Plated Steel	1:100	BS46	12.70
	<i>0.313</i>	<i>0.438</i>	<i>4.000</i>	<i>0.500</i>	<i>0.300</i>	<i>0.344</i>				<i>0.500</i>
# GHK0794-1111-127-Z	7.938	11.113	127	12.7	7.62	8.73	Zinc Plated Steel	1:100	BS46	12.70
	<i>0.313</i>	<i>0.438</i>	<i>5.000</i>	<i>0.500</i>	<i>0.300</i>	<i>0.344</i>				<i>0.500</i>
# GHK0794-1111-152-Z	7.938	11.113	152.4	12.7	7.62	8.73	Zinc Plated Steel	1:100	BS46	12.70
	<i>0.313</i>	<i>0.438</i>	<i>6.000</i>	<i>0.500</i>	<i>0.300</i>	<i>0.344</i>				<i>0.500</i>

Indicates item not stocked at time of printing - Please enquire for lead time

E&OE Pricing and all details subject to change without notice - Copyright Miniature Bearings Australia Pty Ltd

MBA Size Listings are a guide to sizes only and must not be solely relied on for critical design information.

Keys - Gib Head - Zinc Plated

Part Number	Nominal Key Height (h1) mm	Width (W) mm	Length (L) mm	Head Height (h2) Approx. mm	Approx (B) mm	Approx (H3) mm	Material	Taper	Standard	Head Length (Approx) (A) mm
	<i>inches</i>	<i>inches</i>	<i>inches</i>	<i>inches</i>	<i>inches</i>	<i>inches</i>				<i>inches</i>
# GHK0794-1270-076-Z	7.938	12.700	76.2	12.7	7.62	8.73	Zinc Plated Steel	1:100	BS46	14.29
	<i>0.313</i>	<i>0.500</i>	<i>3.000</i>	<i>0.500</i>	<i>0.300</i>	<i>0.344</i>				<i>0.563</i>
# GHK0794-1270-102-Z	7.938	12.700	101.6	12.7	7.62	8.73	Zinc Plated Steel	1:100	BS46	14.29
	<i>0.313</i>	<i>0.500</i>	<i>4.000</i>	<i>0.500</i>	<i>0.300</i>	<i>0.344</i>				<i>0.563</i>
# GHK0794-1270-127-Z	7.938	12.700	127	12.7	7.62	8.73	Zinc Plated Steel	1:100	BS46	14.29
	<i>0.313</i>	<i>0.500</i>	<i>5.000</i>	<i>0.500</i>	<i>0.300</i>	<i>0.344</i>				<i>0.563</i>
GHK0953-0953-076-Z	9.525	9.525	76.2	15.9	7.62	10.31	Zinc Plated Steel	1:100	BS46	11.113
	<i>0.375</i>	<i>0.375</i>	<i>3.000</i>	<i>0.626</i>	<i>0.300</i>	<i>0.406</i>				<i>0.438</i>
GHK0953-0953-102-Z	9.525	9.525	101.6	15.9	7.62	10.31	Zinc Plated Steel	1:100	BS46	11.113
	<i>0.375</i>	<i>0.375</i>	<i>4.000</i>	<i>0.626</i>	<i>0.300</i>	<i>0.406</i>				<i>0.438</i>
GHK0953-0953-127-Z	9.525	9.525	127	15.9	7.62	10.31	Zinc Plated Steel	1:100	BS46	11.113
	<i>0.375</i>	<i>0.375</i>	<i>5.000</i>	<i>0.626</i>	<i>0.300</i>	<i>0.406</i>				<i>0.438</i>
# GHK0953-1111-076-Z	9.525	11.113	76.2	15.9	7.62	10.31	Zinc Plated Steel	1:100	BS46	12.70
	<i>0.375</i>	<i>0.438</i>	<i>3.000</i>	<i>0.626</i>	<i>0.300</i>	<i>0.406</i>				<i>0.500</i>
# GHK0953-1111-102-Z	9.525	11.113	101.6	15.9	7.62	10.31	Zinc Plated Steel	1:100	BS46	12.70
	<i>0.375</i>	<i>0.438</i>	<i>4.000</i>	<i>0.626</i>	<i>0.300</i>	<i>0.406</i>				<i>0.500</i>

Indicates item not stocked at time of printing - Please enquire for lead time

E&OE Pricing and all details subject to change without notice - Copyright Miniature Bearings Australia Pty Ltd

MBA Size Listings are a guide to sizes only and must not be solely relied on for critical design information.

Keys - Gib Head - Zinc Plated

Part Number	Nominal Key Height (h1) mm	Width (W) mm	Length (L) mm	Head Height (h2) Approx. mm	Approx (B) mm	Approx (H3) mm	Material	Taper	Standard	Head Length (Approx) (A) mm
	<i>inches</i>	<i>inches</i>	<i>inches</i>	<i>inches</i>	<i>inches</i>	<i>inches</i>				<i>inches</i>
# GHK0953-1111-127-Z	9.525	11.113	127	15.9	7.62	10.31	Zinc Plated Steel	1:100	BS46	12.70
	<i>0.375</i>	<i>0.438</i>	<i>5.000</i>	<i>0.626</i>	<i>0.300</i>	<i>0.406</i>				<i>0.500</i>
# GHK0953-1111-152-Z	9.525	11.113	152.4	15.9	7.62	10.31	Zinc Plated Steel	1:100	BS46	12.70
	<i>0.375</i>	<i>0.438</i>	<i>6.000</i>	<i>0.626</i>	<i>0.300</i>	<i>0.406</i>				<i>0.500</i>
# GHK0953-1270-076-Z	9.525	12.700	76.2	15.9	7.62	10.31	Zinc Plated Steel	1:100	BS46	14.29
	<i>0.375</i>	<i>0.500</i>	<i>3.000</i>	<i>0.626</i>	<i>0.300</i>	<i>0.406</i>				<i>0.563</i>
# GHK0953-1588-152-Z	9.525	15.875	152.4	15.9	7.62	10.31	Zinc Plated Steel	1:100	BS46	17.463
	<i>0.375</i>	<i>0.625</i>	<i>6.000</i>	<i>0.626</i>	<i>0.300</i>	<i>0.406</i>				<i>0.688</i>
# GHK0953-1905-102-Z	9.525	19.050	101.6	15.9	7.62	10.31	Zinc Plated Steel	1:100	BS46	20.64
	<i>0.375</i>	<i>0.750</i>	<i>4.000</i>	<i>0.626</i>	<i>0.300</i>	<i>0.406</i>				<i>0.813</i>
# GHK1111-1111-127-Z	11.113	11.113	127	17.5	10.16	11.91	Zinc Plated Steel	1:100	BS46	12.70
	<i>0.438</i>	<i>0.438</i>	<i>5.000</i>	<i>0.689</i>	<i>0.400</i>	<i>0.469</i>				<i>0.500</i>
# GHK1111-1111-152-Z	11.113	11.113	152.4	17.5	10.16	11.91	Zinc Plated Steel	1:100	BS46	12.70
	<i>0.438</i>	<i>0.438</i>	<i>6.000</i>	<i>0.689</i>	<i>0.400</i>	<i>0.469</i>				<i>0.500</i>
# GHK1111-1270-076-Z	11.113	12.700	76.2	17.5	10.16	11.91	Zinc Plated Steel	1:100	BS46	14.29
	<i>0.438</i>	<i>0.500</i>	<i>3.000</i>	<i>0.689</i>	<i>0.400</i>	<i>0.469</i>				<i>0.563</i>

Indicates item not stocked at time of printing - Please enquire for lead time

E&OE Pricing and all details subject to change without notice - Copyright Miniature Bearings Australia Pty Ltd

MBA Size Listings are a guide to sizes only and must not be solely relied on for critical design information.

Keys - Gib Head - Zinc Plated

Part Number	Nominal Key Height (h1) mm	Width (W) mm	Length (L) mm	Head Height (h2) Approx. mm	Approx (B) mm	Approx (H3) mm	Material	Taper	Standard	Head Length (Approx) (A) mm
	<i>inches</i>	<i>inches</i>	<i>inches</i>	<i>inches</i>	<i>inches</i>	<i>inches</i>				<i>inches</i>
# GHK1111-1270-089-Z	11.113	12.700	88.9	17.5	10.16	11.91	Zinc Plated Steel	1:100	BS46	14.29
	<i>0.438</i>	<i>0.500</i>	<i>3.500</i>	<i>0.689</i>	<i>0.400</i>	<i>0.469</i>				<i>0.563</i>
# GHK1111-1270-127-Z	11.113	12.700	127	17.5	10.16	11.91	Zinc Plated Steel	1:100	BS46	14.29
	<i>0.438</i>	<i>0.500</i>	<i>5.000</i>	<i>0.689</i>	<i>0.400</i>	<i>0.469</i>				<i>0.563</i>
# GHK1111-1270-152-Z	11.113	12.700	152.4	17.5	10.16	11.91	Zinc Plated Steel	1:100	BS46	14.29
	<i>0.438</i>	<i>0.500</i>	<i>6.000</i>	<i>0.689</i>	<i>0.400</i>	<i>0.469</i>				<i>0.563</i>
# GHK1111-1588-127-Z	11.113	15.875	127	17.5	10.16	11.91	Zinc Plated Steel	1:100	BS46	17.463
	<i>0.438</i>	<i>0.625</i>	<i>5.000</i>	<i>0.689</i>	<i>0.400</i>	<i>0.469</i>				<i>0.688</i>
# GHK1111-1588-178-Z	11.113	15.875	177.8	17.5	10.16	11.91	Zinc Plated Steel	1:100	BS46	17.463
	<i>0.438</i>	<i>0.625</i>	<i>7.000</i>	<i>0.689</i>	<i>0.400</i>	<i>0.469</i>				<i>0.688</i>
GHK1111-1905-152-Z	11.113	19.050	152.4	17.5	10.16	11.91	Zinc Plated Steel	1:100	BS46	20.64
	<i>0.438</i>	<i>0.750</i>	<i>6.000</i>	<i>0.689</i>	<i>0.400</i>	<i>0.469</i>				<i>0.813</i>
# GHK1270-1270-076-Z	12.700	12.700	76.2	19.1	10.16	13.49	Zinc Plated Steel	1:100	BS46	14.29
	<i>0.500</i>	<i>0.500</i>	<i>3.000</i>	<i>0.752</i>	<i>0.400</i>	<i>0.531</i>				<i>0.563</i>
# GHK1270-1270-102-Z	12.700	12.700	101.6	19.1	10.16	13.49	Zinc Plated Steel	1:100	BS46	14.29
	<i>0.500</i>	<i>0.500</i>	<i>4.000</i>	<i>0.752</i>	<i>0.400</i>	<i>0.531</i>				<i>0.563</i>

Indicates item not stocked at time of printing - Please enquire for lead time

E&OE Pricing and all details subject to change without notice - Copyright Miniature Bearings Australia Pty Ltd

MBA Size Listings are a guide to sizes only and must not be solely relied on for critical design information.

Keys - Gib Head - Zinc Plated

Part Number	Nominal Key Height (h1) mm	Width (W) mm	Length (L) mm	Head Height (h2) Approx. mm	Approx (B) mm	Approx (H3) mm	Material	Taper	Standard	Head Length (Approx) (A) mm
	<i>inches</i>	<i>inches</i>	<i>inches</i>	<i>inches</i>	<i>inches</i>	<i>inches</i>				<i>inches</i>
GHK1270-1270-152-Z	12.700	12.700	152.4	19.1	10.16	13.49	Zinc Plated Steel	1:100	BS46	14.29
	<i>0.500</i>	<i>0.500</i>	<i>6.000</i>	<i>0.752</i>	<i>0.400</i>	<i>0.531</i>				<i>0.563</i>
# GHK1270-1588-152-Z	12.700	15.875	152.4	19.1	10.16	13.49	Zinc Plated Steel	1:100	BS46	17.463
	<i>0.500</i>	<i>0.625</i>	<i>6.000</i>	<i>0.752</i>	<i>0.400</i>	<i>0.531</i>				<i>0.688</i>
# GHK1588-1588-102-Z	15.875	15.875	101.6	25.4	12.70	16.67	Zinc Plated Steel	1:100	BS46	17.463
	<i>0.625</i>	<i>0.625</i>	<i>4.000</i>	<i>1.000</i>	<i>0.500</i>	<i>0.656</i>				<i>0.688</i>
GHK1588-1588-152-Z	15.875	15.875	152.4	25.4	12.70	16.67	Zinc Plated Steel	1:100	BS46	17.463
	<i>0.625</i>	<i>0.625</i>	<i>6.000</i>	<i>1.000</i>	<i>0.500</i>	<i>0.656</i>				<i>0.688</i>
# GHK1588-1905-102-Z	15.875	19.050	101.6	25.4	12.70	16.67	Zinc Plated Steel	1:100	BS46	20.64
	<i>0.625</i>	<i>0.750</i>	<i>4.000</i>	<i>1.000</i>	<i>0.500</i>	<i>0.656</i>				<i>0.813</i>
# GHK1588-2223-178-Z	15.875	22.225	177.8	25.4	12.70	16.67	Zinc Plated Steel	1:100	BS46	23.81
	<i>0.625</i>	<i>0.875</i>	<i>7.000</i>	<i>1.000</i>	<i>0.500</i>	<i>0.656</i>				<i>0.937</i>
# GHK1588-2223-229-Z	15.875	22.225	228.6	25.4	12.70	16.67	Zinc Plated Steel	1:100	BS46	23.81
	<i>0.625</i>	<i>0.875</i>	<i>9.000</i>	<i>1.000</i>	<i>0.500</i>	<i>0.656</i>				<i>0.937</i>
GHK1905-1905-127-Z	19.050	19.050	127	28.5	12.70	19.84	Zinc Plated Steel	1:100	BS46	20.64
	<i>0.750</i>	<i>0.750</i>	<i>5.000</i>	<i>1.122</i>	<i>0.500</i>	<i>0.781</i>				<i>0.813</i>

Indicates item not stocked at time of printing - Please enquire for lead time

E&OE Pricing and all details subject to change without notice - Copyright Miniature Bearings Australia Pty Ltd

MBA Size Listings are a guide to sizes only and must not be solely relied on for critical design information.

Keys - Gib Head - Zinc Plated

Part Number	Nominal Key Height (h1) mm	Width (W) mm	Length (L) mm	Head Height (h2) Approx. mm	Approx (B) mm	Approx (H3) mm	Material	Taper	Standard	Head Length (Approx) (A) mm
	<i>inches</i>	<i>inches</i>	<i>inches</i>	<i>inches</i>	<i>inches</i>	<i>inches</i>				<i>inches</i>
# GHK1905-1905-152-Z	19.050	19.050	152.4	28.5	12.70	19.84	Zinc Plated Steel	1:100	BS46	20.64
	<i>0.750</i>	<i>0.750</i>	<i>6.000</i>	<i>1.122</i>	<i>0.500</i>	<i>0.781</i>				<i>0.813</i>
# GHK2223-2540-178-Z	22.225	25.400	177.8	33.2	15.24	23.02	Zinc Plated Steel	1:100	BS46	26.99
	<i>0.875</i>	<i>1.000</i>	<i>7.000</i>	<i>1.307</i>	<i>0.600</i>	<i>0.906</i>				<i>1.063</i>
# GHK2540-2540-152-Z	25.400	25.400	152.4	38.0	15.24	26.19	Zinc Plated Steel	1:100	BS46	26.99
	<i>1.000</i>	<i>1.000</i>	<i>6.000</i>	<i>1.496</i>	<i>0.600</i>	<i>1.031</i>				<i>1.063</i>

Indicates item not stocked at time of printing - Please enquire for lead time

E&OE Pricing and all details subject to change without notice - Copyright Miniature Bearings Australia Pty Ltd

MBA Size Listings are a guide to sizes only and must not be solely relied on for critical design information.



DISTRIBUTED BY

Ask us to put your name and address here

<http://www.minibearings.com.au/product>

Ph +61 7 3245 7977

Fax +61 7 3245 1017

Catalogue requests to catalogues@minibearings.com.au
