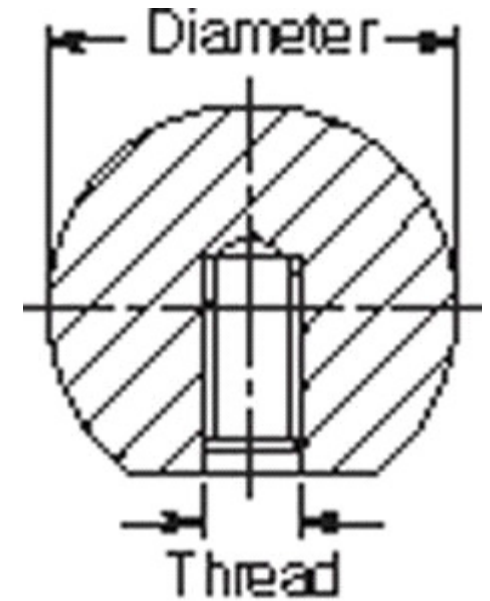




MBA

Knobs - Ball - Threaded - Stainless Steel



Knobs - Ball - Threaded - Stainless Steel

Part Number	Diameter mm <i>inches</i>	Thread Size	Thread Minimum Depth mm <i>inches</i>
# WBK-5RS	16 <i>0.630</i>	M4 x 0.7	7.2 <i>0.283</i>
# WBK-10RS	20 <i>0.787</i>	M5 x 0.8	9.1 <i>0.358</i>
# WBK-15RS	25 <i>0.984</i>	M6 x 1.0	11.0 <i>0.433</i>
# WBK-20RS	32 <i>1.260</i>	M8 x 1.25	14.5 <i>0.571</i>

Indicates item not stocked at time of printing - Please enquire for lead time

E&OE Pricing and all details subject to change without notice - Copyright Miniature Bearings Australia Pty Ltd

MBA Size Listings are a guide to sizes only and must not be solely relied on for critical design information.

Knobs - Ball - Threaded - Stainless Steel

Part Number	Diameter mm	Thread Size	Thread Minimum Depth mm
	<i>inches</i>		<i>inches</i>
# WBK-25RS	40 <i>1.575</i>	M10 x 1.50	18.0 <i>0.709</i>

Indicates item not stocked at time of printing - Please enquire for lead time
 E&OE Pricing and all details subject to change without notice - Copyright Miniature Bearings Australia Pty Ltd
 MBA Size Listings are a guide to sizes only and must not be solely relied on for critical design information.



DISTRIBUTED BY

Ask us to put your name and address here

<http://www.minibearings.com.au/product>

Ph +61 7 3245 7977

Fax +61 7 3245 1017

Catalogue requests to catalogues@minibearings.com.au

