



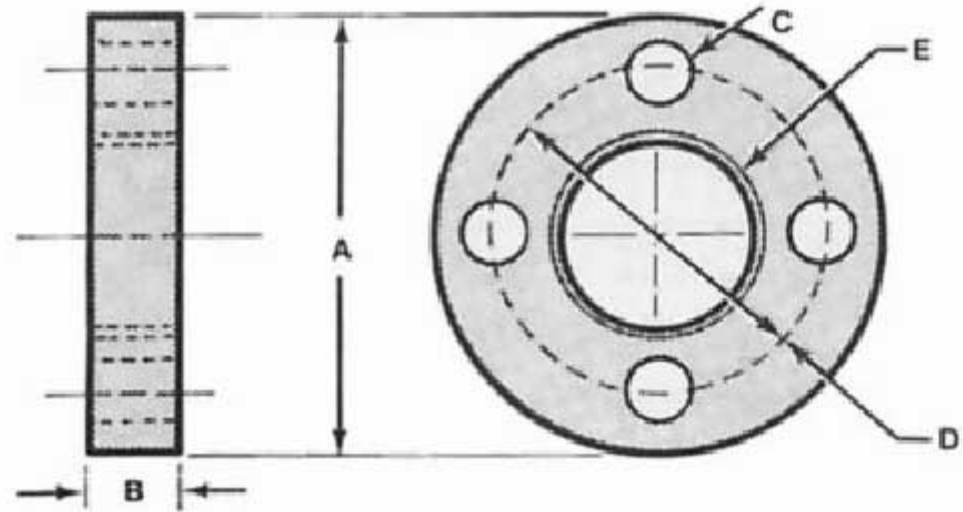
MBA

Leadscrew Nut Flanges for Acme Supernuts

Flanges for Acme leadscrew supernuts metric and imperial
 MATERIAL - Aluminum 6062-T6

These flanges are screwed onto the outer thread of the red leadscrew nuts

This provides a mounting surface to enable location of the leadscrew nut on the surface to be moved



Leadscrew Nut Flanges for Acme Supernuts

Part Number	Suits Nut Mounting Thread	Flange OD (A) mm <i>inches</i>	Flange Thickness (B) mm <i>inches</i>	Mounting Hole Diameter (D) mm <i>inches</i>	Mounting Hole Diameter (C) mm <i>inches</i>	Max Static Load
HB250F-025	9/16 - 18	40.64 <i>1.600</i>	6.350 <i>0.250</i>	4.50 <i>0.177</i>	31.5 <i>1.240</i>	
# HB250F-037	5/8 - 18	50.80 <i>2.000</i>	9.525 <i>0.375</i>	6.76 <i>0.266</i>	38.1 <i>1.500</i>	
# HB250F-075	1.3/8 - 16	63.50 <i>2.500</i>	12.700 <i>0.500</i>	6.76 <i>0.266</i>	50.8 <i>2.000</i>	

Indicates item not stocked at time of printing - Please enquire for lead time
 E&OE Pricing and all details subject to change without notice - Copyright Miniature Bearings Australia Pty Ltd
 MBA Size Listings are a guide to sizes only and must not be solely relied on for critical design information.

Leadscrew Nut Flanges for Acme Supernuts

Part Number	Suits Nut Mounting Thread	Flange OD (A) mm <i>inches</i>	Flange Thickness (B) mm <i>inches</i>	Mounting Hole Diameter (D) mm <i>inches</i>	Mounting Hole Diameter (C) mm <i>inches</i>	Max Static Load
# HB250F-100	1.9/16 - 18	76.20 <i>3.000</i>	15.240 <i>0.600</i>	6.76 <i>0.266</i>	60.2 <i>2.370</i>	
# HB250F-050	5/16 - 16	31.75 <i>1.250</i>	4.762 <i>0.187</i>	3.56 <i>0.140</i>	25.4 <i>1.000</i>	
# HB250F-1625	FLANGE 1 5/8	-	-			
# HB250F-0938	FLANGE 15/16	-	-			
# HB250F-1563	FLANGE 1 9/16	-	-			
# HB250F-2360	FLANGE 2.36	-	-			
# HB250F-1125	FLANGE 1 1/8	-	-			
# HB250F-1250	FLANGE 1 1/4	-	-			
# HB250F-0664	FLANGE 0.664	-	-			
# HB250F-2250	FLANGE 2.25	-	-			
# HB250F-1967	FLANGE 1.967	-	-			

Indicates item not stocked at time of printing - Please enquire for lead time

E&OE Pricing and all details subject to change without notice - Copyright Miniature Bearings Australia Pty Ltd

MBA Size Listings are a guide to sizes only and must not be solely relied on for critical design information.



DISTRIBUTED BY

Ask us to put your name and address here

<http://www.minibearings.com.au/product>

Ph +61 7 3245 7977

Fax +61 7 3245 1017

Catalogue requests to catalogues@minibearings.com.au
