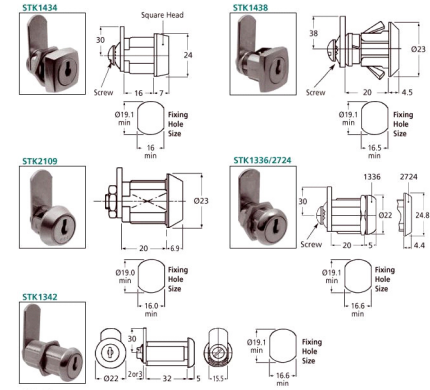




MBA

Locks - Cam



Material
 STK1434, 1342 & 1336/2724: Standard Finish = Bright Chrome.
 STK2109: Standard Finish = Bright Zinc.
 STK1438: Standard Finish = Bright Chrome, Stainless Steel Cap.

Other Info
 STK1434: Supplied with 2 keys to differ or 2 keys to pass 95001.
 STK1342: Supplied with 2 keys to differ.
 STK2109: Master Keyed. Suitable for panel thickness to 4.0 to 4.40.
 STK1336/2724: Supplied with 1336 supplied 2 keys to differ or, 1 or 2 keys to pass 92201.
 STK1438: Suitable for panel thickness 0.8mm to 1.22mm.

Locks - Cam

Part Number	Head Type	Length mm <i>inches</i>	Movement	Housing Fixing
# STK2724	Conical Head	20mm	0 Deg. to 90 Deg. Clockwise	Nut
# STK2109	Conical Head	20mm	0 Deg. to 90 Deg. Clockwise	Horseshoe Clip
# STK1438	Conical Head	20mm	0 Deg. to 90 Deg. Clockwise	Snap In
# STK1336	Round Head	20mm	0 Deg. to 90 Deg. Clockwise	Nut
# STK1342	Round Head	32mm	0 Deg. to 180 Deg. Clockwise	Nut
# STK1434	Square Head	16mm	0 Deg. to 180 Deg. Clockwise	Nut

Indicates item not stocked at time of printing - Please enquire for lead time
 E&OE Pricing and all details subject to change without notice - Copyright Miniature Bearings Australia Pty Ltd
 MBA Size Listings are a guide to sizes only and must not be solely relied on for critical design information.



DISTRIBUTED BY

Ask us to put your name and address here

<http://www.minibearings.com.au/product>

Ph +61 7 3245 7977

Fax +61 7 3245 1017

Catalogue requests to catalogues@minibearings.com.au

