

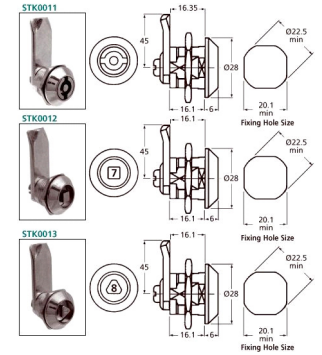


MBA

Locks - Spanner

Standard Finish: Bright Chrome.

Each lock is supplied complete with a 0.3mm thick nitrile head gasket.



Locks - Spanner

Part Number	Type	Movement
# STK0011	5mm Double Barb	0° to 90° Clockwise
# STK0012	7mm Double Barb	0° to 90° Clockwise
# STK0013	8mm Double Barb	0° to 90° Clockwise

Indicates item not stocked at time of printing - Please enquire for lead time

E&OE Pricing and all details subject to change without notice - Copyright Miniature Bearings Australia Pty Ltd

MBA Size Listings are a guide to sizes only and must not be solely relied on for critical design information.



DISTRIBUTED BY

Ask us to put your name and address here

<http://www.minibearings.com.au/product>

Ph +61 7 3245 7977

Fax +61 7 3245 1017

Catalogue requests to catalogues@minibearings.com.au

