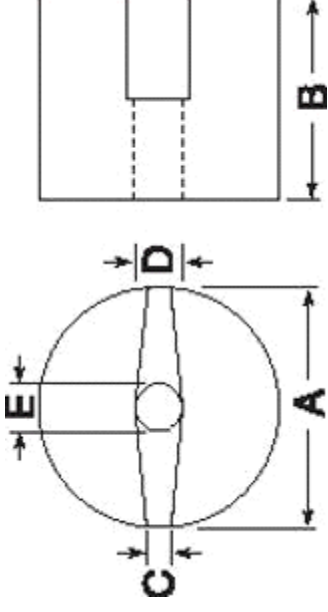




# MBA

## Magnets - Alnico - Button

Supplied with keeper



### Magnets - Alnico - Button

Part Number	A mm <i>inches</i>	B mm <i>inches</i>	C mm <i>inches</i>	D mm <i>inches</i>	E mm <i>inches</i>	Pull kg
# E821RS	12.7 <i>0.500</i>	9.52 <i>0.375</i>	3.96 <i>0.156</i>	7.14 <i>0.281</i>	4.34 <i>0.171</i>	0.67
# E822RS	19.05 <i>0.750</i>	12.7 <i>0.500</i>	5.54 <i>0.218</i>	8.74 <i>0.344</i>	4.75 <i>0.187</i>	1.79
# E825RS	22.22 <i>0.875</i>	19.05 <i>0.750</i>	6.35 <i>0.250</i>	6.35 <i>0.250</i>	4.75 <i>0.187</i>	3.57
# E823RS	25.4 <i>1.000</i>	15.88 <i>0.625</i>	5.54 <i>0.218</i>	8.74 <i>0.344</i>	4.75 <i>0.187</i>	3.57
# E824RS	31.75 <i>1.250</i>	25.4 <i>1.000</i>	7.92 <i>0.312</i>	12.7 <i>0.500</i>	7.14 <i>0.281</i>	4.91

# Indicates item not stocked at time of printing - Please enquire for lead time

E&OE Pricing and all details subject to change without notice - Copyright Miniature Bearings Australia Pty Ltd

MBA Size Listings are a guide to sizes only and must not be solely relied on for critical design information.

# MBA

## MINIATURE BEARINGS AUSTRALIA PTY LTD



ABN 94 069 113 800

DISTRIBUTED BY

Ask us to put your name and address here

<http://www.minibearings.com.au/product>

Ph +61 7 3245 7977

Fax +61 7 3245 1017

Catalogue requests to [catalogues@minibearings.com.au](mailto:catalogues@minibearings.com.au)

**SDPSI**  
Stock Drive Products: Steady Instrument

**EZO**

**GRO**

**JKS**



**DualVee**  
Bishop-Wisecarver Corp.

ANOTHER QUALITY PRODUCT BY  
**MOYTEC**  
MOTORWORKS

**myonic**  
solutions in microtechnology

**ondrives**  
Precision Manufacturing

**Origin**  
BEARING

**rino**

**RMB**

**WIB**



**SOLARBOTICS**

**THOMSON**

**inox**  
Quality Products

**KSK**  
BALL BEARING