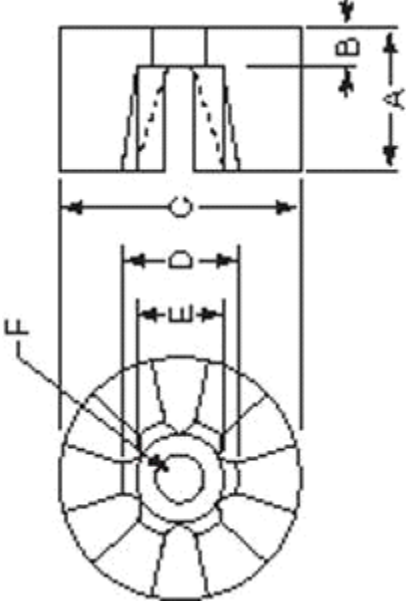




MBA

Magnets - Alnico - Side Pole Rotator



Magnets - Alnico - Side Pole Rotator

Part Number	Diameter (C) mm	Alnico Grade	Poles	D mm	E mm	A mm	B mm	F mm	Holding Force kg
# MAG-940RS	25.4 1.000	5	4	12.70 0.500	12.70 0.500	19.05 0.750	6.35 0.250	6.35 0.250	8.04
# MAG-947RS	31.75 1.250	5	6	15.88 0.625	-	19.05 0.750	5.56 0.219	6.35 0.250	13.39
# MAG-941RS	46.05 1.813	6	6	19.05 0.750	15.88 0.625	31.80 1.252	9.53 0.375	7.94 0.313	22.32

Indicates item not stocked at time of printing - Please enquire for lead time

E&OE Pricing and all details subject to change without notice - Copyright Miniature Bearings Australia Pty Ltd

MBA Size Listings are a guide to sizes only and must not be solely relied on for critical design information.

MBA

MINIATURE BEARINGS AUSTRALIA PTY LTD



ABN 94 069 113 800

DISTRIBUTED BY

Ask us to put your name and address here

<http://www.minibearings.com.au/product>

Ph +61 7 3245 7977

Fax +61 7 3245 1017

Catalogue requests to catalogues@minibearings.com.au

SDPSI
Stock Drive Products: Steady Instrument

EZO

GRO

JKS



DualVee
Bishop-Wisecarver Corp.

ANOTHER QUALITY PRODUCT BY
MOYTEC
MOTORWORKS

myonic
solutions in microtechnology

ondrives
Precision Manufacturing

Origin
BEARING

rino

RMB

WIB



SOLARBOTICS

THOMSON

inox
Quality Products

KSK
BALL BEARING