



MBA

Mounts - Centre Bolt - Tandem Unitised

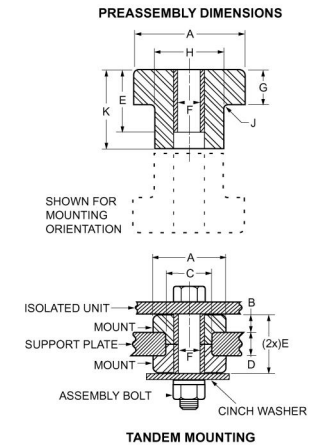
Calculate static load and select a mount of equal or greater capacity.

For dynamic loads of 3 x static load select the next larger size.

Lubricate mount and socket with water or rubber lubricant.

Insert into socket and hand rotate with axial force.

Outer Body : Natural Rubber / Spacer : Rolled Tubular Steel.



Mounts - Centre Bolt - Tandem Unitised

Part Number	Nom. Load rating kg (lb)	Nom. Deflection mm	A mm	B mm	C mm	D mm	E mm	F mm	G / H / J / K mm	L / M / N (Min) mm
		<i>inches</i>	<i>inches</i>	<i>inches</i>	<i>inches</i>	<i>inches</i>	<i>inches</i>	<i>inches</i>	<i>inches</i>	<i>inches</i>
# CBTU-068-1310	68 (150)	0.01	45.2	9.7	28.4	9.7	15.0	13.2	10.9 / 29.5 / 0.8 / 15.7	13.2 / 44.5 / 2.5
		<i>0.000</i>	<i>1.780</i>	<i>0.382</i>	<i>1.118</i>	<i>0.382</i>	<i>0.591</i>	<i>0.520</i>		
# CBTU-192-1613	192 (425)	0.02	65.5	22.1	38.1	12.7	26.7	16.3	23.4 / 41.1 / 1.5 / 29.7	16.3 / 63.5 / 3.8
		<i>0.001</i>	<i>2.579</i>	<i>0.870</i>	<i>1.500</i>	<i>0.500</i>	<i>1.051</i>	<i>0.642</i>		

Indicates item not stocked at time of printing - Please enquire for lead time

E&OE Pricing and all details subject to change without notice - Copyright Miniature Bearings Australia Pty Ltd

MBA Size Listings are a guide to sizes only and must not be solely relied on for critical design information.

Mounts - Centre Bolt - Tandem Unitised

Part Number	Nom. Load rating kg (lb)	Nom. Deflection mm <i>inches</i>	A mm <i>inches</i>	B mm <i>inches</i>	C mm <i>inches</i>	D mm <i>inches</i>	E mm <i>inches</i>	F mm <i>inches</i>	G / H / J / K mm <i>inches</i>	L / M / N (Min) mm <i>inches</i>
# CBTU-226-1619	226 (500)	0.02 <i>0.001</i>	76.2 <i>3.000</i>	19.1 <i>0.752</i>	46.0 <i>1.811</i>	19.1 <i>0.752</i>	29.5 <i>1.161</i>	16.3 <i>0.642</i>	10.2 / 47.0 / 3.0 / 30.2	16.3 / 76.2 / 4.8
# CBTU-407-2019	407 (900)	0.08 <i>0.003</i>	95.3 <i>3.752</i>	18.8 <i>0.740</i>	57.2 <i>2.252</i>	19.1 <i>0.752</i>	28.7 <i>1.130</i>	19.6 <i>0.772</i>	28.4 / 57.9 / 3.0 / 38.1	19.6 / 101.6 / 6.4

Indicates item not stocked at time of printing - Please enquire for lead time

E&OE Pricing and all details subject to change without notice - Copyright Miniature Bearings Australia Pty Ltd

MBA Size Listings are a guide to sizes only and must not be solely relied on for critical design information.



DISTRIBUTED BY

Ask us to put your name and address here

<http://www.minibearings.com.au/product>

Ph +61 7 3245 7977

Fax +61 7 3245 1017

Catalogue requests to catalogues@minibearings.com.au
