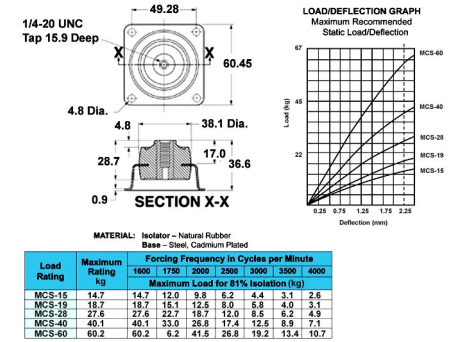




MBA

Mounts - Cup Style



Mounts - Cup Style

Part Number	Max. Load Rating Kg	Plate Size mm <i>inches</i>	Assembly Height mm <i>inches</i>	Body/Fastener (Material)
# MCS-15	14.7	60.45 <i>2.380</i>	36.58 <i>1.440</i>	Rubber / Plated Steel
# MCS-19	18.7	60.45 <i>2.380</i>	36.58 <i>1.440</i>	Rubber / Plated Steel
# MCS-28	27.6	60.45 <i>2.380</i>	36.58 <i>1.440</i>	Rubber / Plated Steel
# MCS-40	40.1	60.45 <i>2.380</i>	36.58 <i>1.440</i>	Rubber / Plated Steel
# MCS-60	60.2	60.45 <i>2.380</i>	36.58 <i>1.440</i>	Rubber / Plated Steel

Indicates item not stocked at time of printing - Please enquire for lead time
 E&OE Pricing and all details subject to change without notice - Copyright Miniature Bearings Australia Pty Ltd
 MBA Size Listings are a guide to sizes only and must not be solely relied on for critical design information.



DISTRIBUTED BY

Ask us to put your name and address here

<http://www.minibearings.com.au/product>

Ph +61 7 3245 7977

Fax +61 7 3245 1017

Catalogue requests to catalogues@minibearings.com.au

