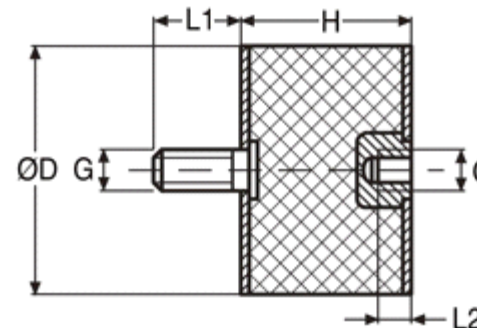




# MBA

## Mounts - Cylindrical - Male to Female



Rubber hardness 60 Duro Standard unless otherwise noted

This catalogue to be read in conjunction with information at  
[http://www.minibearings.com.au/ogue/tech/mounts/cylindrical\\_mounts\\_neoprene.pdf](http://www.minibearings.com.au/ogue/tech/mounts/cylindrical_mounts_neoprene.pdf)  
[http://www.minibearings.com.au/ogue/tech/mounts/cylindrical\\_mounts\\_urethane.pdf](http://www.minibearings.com.au/ogue/tech/mounts/cylindrical_mounts_urethane.pdf)  
[http://www.minibearings.com.au/ogue/tech/mounts/cylindrical\\_mounts\\_rubber.pdf](http://www.minibearings.com.au/ogue/tech/mounts/cylindrical_mounts_rubber.pdf)

### Mounts - Cylindrical - Male to Female

Part Number	Nom. Body Dia. (D) mm	Body Length (H) mm	Configuration	Compression Load kgf (lbs)	Shear Load kgf (lbs)	Thread Size	Thread Length/Depth (L1/L2) mm	Material	Features	Other Information
	<i>inches</i>	<i>inches</i>					<i>inches</i>			
# CM07.0x08-4-40-MFL	7	8.1		0.13 (0.3)	0.04 (0.1)	4-40 UNC	5.1 / 2.8	Urethane / Plated Steel	1	
	<i>0.276</i>	<i>0.319</i>								
# CM07.0x08-4-40-MFH	7	8.1		0.89 (2.0)	0.36 (0.8)	4-40 UNC	5.1 / 2.8	Urethane / Plated Steel	1	
	<i>0.276</i>	<i>0.319</i>								
# CM08.0x08-M3-MF	8	8		0.89 (2.0)	0.36 (0.8)	M3	6 / 3	Rubber / Steel	3	
	<i>0.315</i>	<i>0.315</i>								

# Indicates item not stocked at time of printing - Please enquire for lead time  
 E&OE Pricing and all details subject to change without notice - Copyright Miniature Bearings Australia Pty Ltd  
 MBA Size Listings are a guide to sizes only and must not be solely relied on for critical design information.

## Mounts - Cylindrical - Male to Female

Part Number	Nom. Body Dia. (D) mm	Body Length (H) mm	Configuration	Compression Load kgf (lbs)	Shear Load kgf (lbs)	Thread Size	Thread Length/Depth (L1/L2) mm	Material	Features	Other Information
	<i>inches</i>	<i>inches</i>					<i>inches</i>			
# CM10.0x10-M4-MF	10 <i>0.394</i>	10 <i>0.394</i>		1.79 (4.0)	0.89 (2.0)	M4	10 / 4	Rubber / Steel	3	
# CM10.3x13-8-32-MFL	10.3 <i>0.406</i>	12.7 <i>0.500</i>		0.27 (0.6)	0.13 (0.3)	8-32 UNC	9.5 / 4.1	Urethane / Plated Steel	1	
# CM10.3x13-6-32-MFH	10.3 <i>0.406</i>	12.7 <i>0.500</i>		1.79 (4.0)	0.89 (2.0)	6-32 UNC	9.5 / 4.1	Urethane / Plated Steel	1	
# CM10.3x13-6-32-MFL	10.3 <i>0.406</i>	12.7 <i>0.500</i>		0.27 (0.6)	0.13 (0.3)	6-32 UNC	9.5 / 4.1	Urethane / Plated Steel	1	
# CM10.3x13-8-32-MFH	10.3 <i>0.406</i>	12.7 <i>0.500</i>		1.79 (4.0)	0.89 (2.0)	8-32 UNC	9.5 / 4.1	Urethane / Plated Steel	1	
# CM14.3x13-8-32-MFA	14.3 <i>0.563</i>	12.7 <i>0.500</i>		3.57 (8.0)	1.96 (4.4)	8-32 UNC	9.5 / 6	Neoprene / Steel, Brass or Zinc Plated	2	
CM14.3x13-8-32-MFC	14.3 <i>0.563</i>	12.7 <i>0.500</i>		7.14 (16.0)	4.02 (9.0)	8-32 UNC	9.5 / 6	Neoprene / Steel, Brass or Zinc Plated	2	
# CM15.0x15-M4-MF144	15 <i>0.591</i>	15 <i>0.591</i>		15.3 (33.7)	3.1 (6.8)	M4	14 / 4	Natural Rubber / Steel, Zinc Plated	3	

# Indicates item not stocked at time of printing - Please enquire for lead time

E&OE Pricing and all details subject to change without notice - Copyright Miniature Bearings Australia Pty Ltd

MBA Size Listings are a guide to sizes only and must not be solely relied on for critical design information.

## Mounts - Cylindrical - Male to Female

Part Number	Nom. Body Dia. (D) mm	Body Length (H) mm	Configuration	Compression Load kgf (lbs)	Shear Load kgf (lbs)	Thread Size	Thread Length/Depth (L1/L2) mm	Material	Features	Other Information
	<i>inches</i>	<i>inches</i>					<i>inches</i>			
# CM15.0x15-M5-MF	15 <i>0.591</i>	15 <i>0.591</i>		15.3 (33.7)	3.1 (6.8)	M5	15 / 4	Rubber / Steel	3	
# CM15.0x20-M4-MF	15 <i>0.591</i>	20 <i>0.787</i>		11.5 (25.8)	3.1 (6.8)	M4	8 / 6	Rubber / Steel	3	
# CM15.0x30-M4-MF	15 <i>0.591</i>	30 <i>1.181</i>		10.4 (23.4)	3.1 (6.8)	M4	10 / 5	Rubber / Steel	3	
CM16.0x16-14-MF	16 <i>0.630</i>	16 <i>0.630</i>		5.36 (12.0)	1.56 (3.5)	1/4 UNC (20 TPI)	12.7 / 6.6	Urethane / Plated Steel	1	
CM20.0x15-M6-MF	20 <i>0.787</i>	15 <i>0.591</i>		17.6 (39.4)	2 (4.4)	M6	18 / 6	Rubber / Steel	3	
CM20.0x20-M6-MF	20 <i>0.787</i>	20 <i>0.787</i>		15.4 (34.5)	2 (4.4)	M6	18 / 6	Rubber / Steel	3	
# CM20.0x20-M6-MF166	20 <i>0.787</i>	20 <i>0.787</i>		29.6 (65.3)	2 (4.4)	M6	16 / 6	Natural Rubber / Steel, Zinc Plated	3	
# CM20.0x25-M6-MF166	20 <i>0.787</i>	25 <i>0.984</i>		19.4 (42.8)	2 (4.4)	M6	16 / 6	Natural Rubber / Steel, Zinc Plated	3	
# CM20.0x25-M6-MF	20 <i>0.787</i>	25 <i>0.984</i>		14.8 (33.2)	2 (4.4)	M6	18 / 6	Rubber / Steel	3	

# Indicates item not stocked at time of printing - Please enquire for lead time

E&OE Pricing and all details subject to change without notice - Copyright Miniature Bearings Australia Pty Ltd

MBA Size Listings are a guide to sizes only and must not be solely relied on for critical design information.

## Mounts - Cylindrical - Male to Female

Part Number	Nom. Body Dia. (D) mm	Body Length (H) mm	Configuration	Compression Load kgf (lbs)	Shear Load kgf (lbs)	Thread Size	Thread Length/Depth (L1/L2) mm	Material	Features	Other Information
	<i>inches</i>	<i>inches</i>					<i>inches</i>			
# CM20.0x30-M6-MF	20 <i>0.787</i>	30 <i>1.181</i>		15.3 (33.7)	2 (4.4)	M6	16 / 6	Natural Rubber / Steel, Zinc Plated	3	
CM25.0x15-M6-MF	25 <i>0.984</i>	15 <i>0.591</i>		31.9 (71.4)	6.1 (13.4)	M6	18 / 6	Rubber / Steel	3	
# CM25.0x19-14-MFA	25 <i>0.984</i>	19 <i>0.748</i>		14.73 (33.0)	8.04 (18.0)	1/4 UNC (20 TPI)	12.7 / 12.7	Neoprene / Steel, Brass or Zinc Plated	2	
# CM25.0x19-14-M-FB	25 <i>0.984</i>	19 <i>0.748</i>		26.79 (60.0)	15.18 (34.0)	1/4 UNC (20 TPI)	12.7 / 12.7	Neoprene / Steel, Brass or Zinc Plated	2	
# CM25.0x19-516-MF	25 <i>0.984</i>	19 <i>0.748</i>		20.09 (45.0)	4.46 (10.0)	5/16	15.9 / 7.4	Urethane / Plated Steel	1	
# CM25.0x20-M6-MF186	25 <i>0.984</i>	20 <i>0.787</i>		30.8 (68.9)	15.18 (34.0)	M6	18 / 6	Rubber / Steel	3	
# CM25.0x20-M8-MF	25 <i>0.984</i>	20 <i>0.787</i>		45.9 (101.2)	5.1 (11.2)	M8	20 / 8	Natural Rubber / Steel, Zinc Plated	3	
# CM25.0x20-M6-MF188	25 <i>0.984</i>	20 <i>0.787</i>		45.9 (101.2)	5.1 (11.2)	M6	18 / 8	Natural Rubber / Steel, Zinc Plated	3	

# Indicates item not stocked at time of printing - Please enquire for lead time

E&OE Pricing and all details subject to change without notice - Copyright Miniature Bearings Australia Pty Ltd

MBA Size Listings are a guide to sizes only and must not be solely relied on for critical design information.

## Mounts - Cylindrical - Male to Female

Part Number	Nom. Body Dia. (D) mm	Body Length (H) mm	Configuration	Compression Load kgf (lbs)	Shear Load kgf (lbs)	Thread Size	Thread Length/Depth (L1/L2) mm	Material	Features	Other Information
	<i>inches</i>	<i>inches</i>					<i>inches</i>			
# CM25.0x20-14-MFC1	25 <i>0.984</i>	20.2 <i>0.795</i>		26.79 (60.0)	15.18 (34.0)	1/4 UNC (20 TPI)	12.7 / 12.7	Neoprene / Steel, Brass or Zinc Plated	2	
# CM25.0x25-M6-MF	25 <i>0.984</i>	25 <i>0.984</i>		28.6 (64)	4.1 (9)	M6	18 / 6	Rubber / Steel	3	
# CM25.0x25-M6-MF188	25 <i>0.984</i>	25 <i>0.984</i>		40.8 (89.9)	4.1 (9)	M6	18 / 8	Natural Rubber / Steel, Zinc Plated	3	
# CM25.0x30-M6-MF	25 <i>0.984</i>	30 <i>1.181</i>		27.5 (61.5)	3.1 (6.8)	M6	18 / 6	Rubber / Steel	3	
# CM25.0x30-M6-MF188	25 <i>0.984</i>	30 <i>1.181</i>		35.7 (78.7)	3.1 (6.8)	M6	18 / 8	Natural Rubber / Steel, Zinc Plated	3	
# CM30.0x15-M8-MF	30 <i>1.181</i>	15 <i>0.591</i>		74.3 (166.4)	10.2 (22.5)	M8	20 / 8	Rubber / Steel	3	
# CM30.0x15-M8-MF188	30 <i>1.181</i>	15 <i>0.591</i>		59.1 (130.3)	10.2 (22.5)	M8	18 / 8	Natural Rubber / Steel, Zinc Plated	3	
# CM30.0x20-M8-MF23	30 <i>1.181</i>	20 <i>0.787</i>		67.3 (148.4)	9.2 (20.3)	M8	23 / 6	Natural Rubber / Steel, Zinc Plated	3	

# Indicates item not stocked at time of printing - Please enquire for lead time

E&OE Pricing and all details subject to change without notice - Copyright Miniature Bearings Australia Pty Ltd

MBA Size Listings are a guide to sizes only and must not be solely relied on for critical design information.

## Mounts - Cylindrical - Male to Female

Part Number	Nom. Body Dia. (D) mm	Body Length (H) mm	Configuration	Compression Load kgf (lbs)	Shear Load kgf (lbs)	Thread Size	Thread Length/Depth (L1/L2) mm	Material	Features	Other Information
	<i>inches</i>	<i>inches</i>					<i>inches</i>			
# CM30.0x20-M8-MF14	30 <i>1.181</i>	20 <i>0.787</i>		67.3 (10.2)	9.2 (20.3)	M8	14 / 6	Natural Rubber / Steel, Zinc Plated	3	
# CM30.0x20-M8-MF	30 <i>1.181</i>	20 <i>0.787</i>		41.8 (93.5)	9.2 (20.3)	M8	20 / 8	Rubber / Steel	3	
# CM30.0x25-M8-MF	30 <i>1.181</i>	25 <i>0.984</i>		40.7 (91.1)	9.2 (20.3)	M8	20 / 8	Rubber / Steel	3	
# CM30.0x30-M8-MF2310	30 <i>1.181</i>	30 <i>1.181</i>		62.2 (137.1) (137.1)	7.1 (15.7)	M8	23 / 10	Natural Rubber / Steel, Zinc Plated	3	
# CM30.0x30-M8-MF	30 <i>1.181</i>	30 <i>1.181</i>		39 (87.4)	7.1 (15.7)	M8	20 / 8	Rubber / Steel	3	
# CM30.0x40-M8-MF2310	30 <i>1.181</i>	40 <i>1.575</i>		55.1 (121.5)	5.1 (11.2)	M8	23 / 10	Natural Rubber / Steel, Zinc Plated	3	
# CM30.0x40-M8-MF	30 <i>1.181</i>	40 <i>1.575</i>		33 (73.8)	5.1 (11.2)	M8	20 / 8	Rubber / Steel	3	
# CM38.0x25-M8-MFA	38 <i>1.496</i>	25 <i>0.984</i>		42.41 (95.0)	Not Recommended	M8 x 1.25	13.5 / 9.5	Rubber / Zinc Plated Steel	3	

# Indicates item not stocked at time of printing - Please enquire for lead time

E&OE Pricing and all details subject to change without notice - Copyright Miniature Bearings Australia Pty Ltd

MBA Size Listings are a guide to sizes only and must not be solely relied on for critical design information.

## Mounts - Cylindrical - Male to Female

Part Number	Nom. Body Dia. (D) mm	Body Length (H) mm	Configuration	Compression Load kgf (lbs)	Shear Load kgf (lbs)	Thread Size	Thread Length/Depth (L1/L2) mm	Material	Features	Other Information
	<i>inches</i>	<i>inches</i>					<i>inches</i>			
# CM38.0x25-M8-MFD	38 <i>1.496</i>	25 <i>0.984</i>		93.75 (210.0)	Not Recommended	M8 x 1.25	13.5 / 9.5	Rubber / Zinc Plated Steel	3	
# CM38.0x25-516-MFA	38 <i>1.496</i>	25 <i>0.984</i>		42.41 (95.0)	Not Recommended	5/16	14.3 / 10.2	Rubber / Steel Or Brass	3	
# CM38.0x25-M8-MFB	38 <i>1.496</i>	25 <i>0.984</i>		60.27 (135.0)	Not Recommended	M8 x 1.25	13.5 / 9.5	Rubber / Zinc Plated Steel	3	
# CM38.0x25-516-MFD	38 <i>1.496</i>	25 <i>0.984</i>		93.75 (210.0)	Not Recommended	5/16	14.3 / 10.2	Rubber / Steel Or Brass	3	
# CM38.0x25-516-MFC	38 <i>1.496</i>	25 <i>0.984</i>		82.59 (185.0)	Not Recommended	5/16	14.3 / 10.2	Rubber / Steel Or Brass	3	
# CM38.0x25-516-MFB	38 <i>1.496</i>	25 <i>0.984</i>		60.27 (135.0)	Not Recommended	5/16	14.3 / 10.2	Rubber / Steel Or Brass	3	
# CM38.0x25-M8-MFC	38 <i>1.496</i>	25 <i>0.984</i>		82.59 (185.0)	Not Recommended	M8 x 1.25	13.5 / 9.5	Rubber / Zinc Plated Steel	3	
# CM40.0x20-M8-MF236	40 <i>1.575</i>	20 <i>0.787</i>		89.7 (197.8)	16.3 (35.9)	M8	23 / 6	Natural Rubber / Steel, Zinc Plated	3	

# Indicates item not stocked at time of printing - Please enquire for lead time

E&OE Pricing and all details subject to change without notice - Copyright Miniature Bearings Australia Pty Ltd

MBA Size Listings are a guide to sizes only and must not be solely relied on for critical design information.

## Mounts - Cylindrical - Male to Female

Part Number	Nom. Body Dia. (D) mm	Body Length (H) mm	Configuration	Compression Load kgf (lbs)	Shear Load kgf (lbs)	Thread Size	Thread Length/Depth (L1/L2) mm	Material	Features	Other Information
	<i>inches</i>	<i>inches</i>					<i>inches</i>			
# CM40.0x25-M8-MF	40 <i>1.575</i>	25 <i>0.984</i>		65.9 (147.7)	15.3 (33.7)	M8	23 / 8	Rubber / Steel	3	
# CM40.0x30-M10-MF	40 <i>1.575</i>	30 <i>1.181</i>		65.9 (147.7)	15.3 (33.7)	M10	23 / 8	Rubber / Steel	3	
# CM40.0x30-M10-MF2810	40 <i>1.575</i>	30 <i>1.181</i>		99.9 (220.2)	15.3 (33.7)	M10	28 / 10	Natural Rubber / Steel, Zinc Plated	3	
# CM40.0x30-M8-MF	40 <i>1.575</i>	30 <i>1.181</i>		65.9 (147.7)	15.3 (33.7)	M8	23 / 8	Rubber / Steel	3	
# CM40.0x30-M8-MF2310	40 <i>1.575</i>	30 <i>1.181</i>		99.9 (220.2)	15.3 (33.7)	M8	23 / 10	Natural Rubber / Steel, Zinc Plated	3	
# CM40.0x35-M8-MF	40 <i>1.575</i>	35 <i>1.378</i>		89.7 (197.8)	13.3 (29.3)	M8	23 / 10	Natural Rubber / Steel, Zinc Plated	3	
# CM40.0x40-M8-MF2310	40 <i>1.575</i>	40 <i>1.575</i>		110.1 (242.7)	13.3 (29.3)	M8	23 / 10	Natural Rubber / Steel, Zinc Plated	3	
# CM40.0x40-M10-MF	40 <i>1.575</i>	40 <i>1.575</i>		110.1 (242.7)	13.3 (29.3)	M10	28 / 10	Natural Rubber / Steel, Zinc Plated	3	

# Indicates item not stocked at time of printing - Please enquire for lead time

E&OE Pricing and all details subject to change without notice - Copyright Miniature Bearings Australia Pty Ltd

MBA Size Listings are a guide to sizes only and must not be solely relied on for critical design information.

## Mounts - Cylindrical - Male to Female

Part Number	Nom. Body Dia. (D) mm	Body Length (H) mm	Configuration	Compression Load kgf (lbs)	Shear Load kgf (lbs)	Thread Size	Thread Length/Depth (L1/L2) mm	Material	Features	Other Information
	<i>inches</i>	<i>inches</i>					<i>inches</i>			
# CM40.0x40-M8-MF	40 <i>1.575</i>	40 <i>1.575</i>		65.9 (147.7)	13.3 (29.3)	M8	28 / 10	Rubber / Steel	3	
# CM50.0x20-M10-MF	50 <i>1.969</i>	20 <i>0.787</i>		142.9 (320)	20.4 (45)	M10	28 / 10	Rubber / Steel	3	
# CM50.0x25-M10-MF	50 <i>1.969</i>	25 <i>0.984</i>		131.9 (295.4)	20.4 (45)	M10	28 / 10	Rubber / Steel	3	
# CM50.0x30-M10-MF	50 <i>1.969</i>	30 <i>1.181</i>		131.9 (295.4)	20.4 (45)	M10	28 / 10	Rubber / Steel	3	
# CM50.0x40-M10-MF	50 <i>1.969</i>	40 <i>1.575</i>		120.9 (270.8)	18.4 (40.6)	M10	28 / 10	Rubber / Steel	3	
# CM50.0x45-M10-MF	50 <i>1.969</i>	45 <i>1.772</i>		109.9 (246.2)	14.3 (31.5)	M10	28 / 10	Rubber / Steel	3	
# CM50.0x50-M10-MF	50 <i>1.969</i>	50 <i>1.969</i>		98.9 (221.5)	14.3 (31.5)	M10	28 / 10	Rubber / Steel	3	
# CM60.0x30-M12-MF3711	60 <i>2.362</i>	30 <i>1.181</i>		232.5 (512.6)	40.8 (89.9)	M12	37 / 11	Natural Rubber / Steel, Zinc Plated	3	
# CM60.0x35-M10-MF	60 <i>2.362</i>	35 <i>1.378</i>		232.5 (512.6)	40.8 (89.9)	M10	28 / 10	Natural Rubber / Steel, Zinc Plated	3	

# Indicates item not stocked at time of printing - Please enquire for lead time

E&OE Pricing and all details subject to change without notice - Copyright Miniature Bearings Australia Pty Ltd

MBA Size Listings are a guide to sizes only and must not be solely relied on for critical design information.

## Mounts - Cylindrical - Male to Female

Part Number	Nom. Body Dia. (D) mm	Body Length (H) mm	Configuration	Compression Load kgf (lbs)	Shear Load kgf (lbs)	Thread Size	Thread Length/Depth (L1/L2) mm	Material	Features	Other Information
	<i>inches</i>	<i>inches</i>					<i>inches</i>			
# CM60.0x40-M12-MF	60 <i>2.362</i>	40 <i>1.575</i>		192.3 (430.8)	30.6 (67.5)	M12	28 / 10	Rubber / Steel	3	
# CM60.0x50-M10-MF	60 <i>2.362</i>	50 <i>1.969</i>		203.9 (449.5)	24.4 (53.8)	M10	35 / 10	Natural Rubber / Steel, Zinc Plated	3	
# CM60.0x50-M12-MF	60 <i>2.362</i>	50 <i>1.969</i>		203.9 (449.5)	24.4 (53.8)	M12	37 / 11	Natural Rubber / Steel, Zinc Plated	3	
# CM70.0x45-M10-MF	70 <i>2.756</i>	45 <i>1.772</i>		208.8 (467.7)	38.7 (85.3)	M10	33 / 12	Rubber / Steel	3	
# CM70.0x50-M12-MF	70 <i>2.756</i>	50 <i>1.969</i>		285.5 (629.4)	38.7 (85.3)	M12	37 / 11	Natural Rubber / Steel, Zinc Plated	3	
# CM75.0x25-M12-MF	75 <i>2.953</i>	25 <i>0.984</i>		307.7 (689.2)	90.8 (200.2)	M12	37 / 12	Rubber / Steel	3	
# CM75.0x25-M12-MF3711	75 <i>2.953</i>	25 <i>0.984</i>		389.5 (858.7)	90.8 (200.2)	M12	37 / 11	Natural Rubber / Steel, Zinc Plated	3	
# CM75.0x40-M12-MF	75 <i>2.953</i>	40 <i>1.575</i>		296.7 (664.6)	79.5 (175.3)	M12	37 / 12	Rubber / Steel	3	

# Indicates item not stocked at time of printing - Please enquire for lead time

E&OE Pricing and all details subject to change without notice - Copyright Miniature Bearings Australia Pty Ltd

MBA Size Listings are a guide to sizes only and must not be solely relied on for critical design information.

## Mounts - Cylindrical - Male to Female

Part Number	Nom. Body Dia. (D) mm	Body Length (H) mm	Configuration	Compression Load kgf (lbs)	Shear Load kgf (lbs)	Thread Size	Thread Length/Depth (L1/L2) mm	Material	Features	Other Information
	<i>inches</i>	<i>inches</i>					<i>inches</i>			
# CM75.0x50-M12-MF	75 <i>2.953</i>	50 <i>1.969</i>		285.7 (640)	69.3 (152.8)	M12	37 / 12	Rubber / Steel	3	
# CM75.0x55-M12-MF	75 <i>2.953</i>	55 <i>2.165</i>		263.7 (590.8)	69.3 (152.8)	M12	37 / 12	Rubber / Steel	3	
# CM100.0x30-M16-MF	100 <i>3.937</i>	30 <i>1.181</i>		734.2 (1618.6)	112.2 (247.4)	M16	45 / 16	Natural Rubber / Steel, Zinc Plated	3	
# CM100.0x40-M16-MF4516	100 <i>3.937</i>	40 <i>1.575</i>		699.5 (1542.1)	99.9 (220.2)	M16	45 / 16	Natural Rubber / Steel, Zinc Plated	3	
# CM100.0x40-M16-MF	100 <i>3.937</i>	40 <i>1.575</i>		714.3 (1600)	99.9 (220.2)	M16	41 / 16	Rubber / Steel	3	
# CM100.0x50-M16-MF	100 <i>3.937</i>	50 <i>1.969</i>		673 (1483.7)	99.9 (220.2)	M16	45 / 16	Natural Rubber / Steel, Zinc Plated	3	
# CM100.0x55-M16-MF4516	100 <i>3.937</i>	55 <i>2.165</i>		648.5 (1429.7)	79.5 (175.3)	M16	45 / 16	Natural Rubber / Steel, Zinc Plated	3	
# CM100.0x55-M16-MF	100 <i>3.937</i>	55 <i>2.165</i>		560.4 (1255.4)	79.5 (175.3)	M16	41 / 16	Rubber / Steel	3	

# Indicates item not stocked at time of printing - Please enquire for lead time

E&OE Pricing and all details subject to change without notice - Copyright Miniature Bearings Australia Pty Ltd

MBA Size Listings are a guide to sizes only and must not be solely relied on for critical design information.

## Mounts - Cylindrical - Male to Female

Part Number	Nom. Body Dia. (D) mm	Body Length (H) mm	Configuration	Compression Load kgf (lbs)	Shear Load kgf (lbs)	Thread Size	Thread Length/Depth (L1/L2) mm	Material	Features	Other Information
	<i>inches</i>	<i>inches</i>					<i>inches</i>			
# CM100.0x60-M16-MF4516	100	60		597.6 (1317.5)	48.9 (107.8)	M16	45 / 16	Natural Rubber / Steel, Zinc Plated	3	
	<i>3.937</i>	<i>2.362</i>								
# CM100.0x60-M16-MF	100	60		549.5 (1230.8)	48.9 (107.8)	M16	41 / 16	Rubber / Steel	3	
	<i>3.937</i>	<i>2.362</i>								
# CM100.0x75-M16-MF	100	75		439.6 (984.6)	48.9 (107.8)	M16	41 / 16	Rubber / Steel	3	
	<i>3.937</i>	<i>2.953</i>								

# Indicates item not stocked at time of printing - Please enquire for lead time

E&OE Pricing and all details subject to change without notice - Copyright Miniature Bearings Australia Pty Ltd

MBA Size Listings are a guide to sizes only and must not be solely relied on for critical design information.



DISTRIBUTED BY

Ask us to put your name and address here

<http://www.minibearings.com.au/product>

Ph +61 7 3245 7977

Fax +61 7 3245 1017

Catalogue requests to [catalogues@minibearings.com.au](mailto:catalogues@minibearings.com.au)
