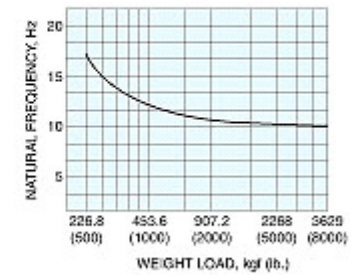
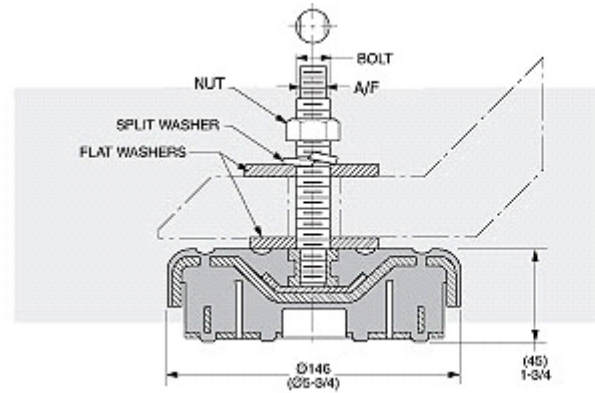




MBA

Mounts - Uniload - CNF - Heavy Duty



Constant Natural Frequency Mounts - Stiffness is proportional to load.

Colour: Black.

Carbon Steel Zinc Plated Screw.

Corrosion resistant.

Request a Uniload Catalogue by e-mail from our Contacts page.

This catalogue to be read in conjunction with information at <http://www.minibearings.com.au/ogue/tech/mounts/uniload.pdf>

Mounts - Uniload - CNF - Heavy Duty

| Part Number | Screw Size | Max. Impact Load kgf | Max. Steady Load kgf |
|------------------|--------------------|----------------------|----------------------|
| # V10Z24-575175A | 5/8-11 UNC x 8 in. | 2268 | 3629 |
| # V10Z24M14545A | M16 x 2.0 x 200mm | 2268 | 3629 |

Indicates item not stocked at time of printing - Please enquire for lead time

E&OE Pricing and all details subject to change without notice - Copyright Miniature Bearings Australia Pty Ltd

MBA Size Listings are a guide to sizes only and must not be solely relied on for critical design information.



DISTRIBUTED BY

Ask us to put your name and address here

<http://www.minibearings.com.au/product>

Ph +61 7 3245 7977

Fax +61 7 3245 1017

Catalogue requests to catalogues@minibearings.com.au

