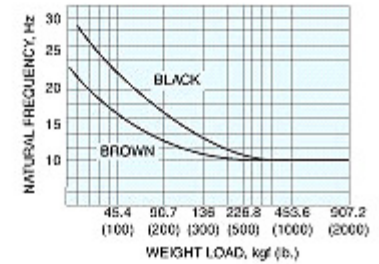
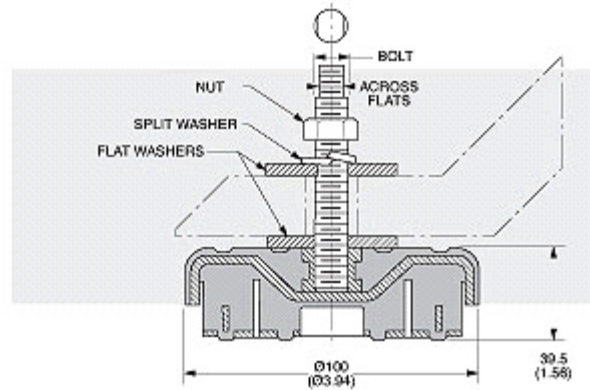




MBA

Mounts - Uniload - CNF - Medium Duty



Constant Natural Frequency Mounts.

Carbon Steel Zinc Plated Screw.

Corrosion resistant.

Request a Uniload Catalogue by e-mail from our Contacts page.

This catalogue to be read in conjunction with information at <http://www.minibearings.com.au/ogue/tech/mounts/uniload.pdf>

Mounts - Uniload - CNF - Medium Duty

Part Number	Screw Size	Max. Impact Load kgf	Max. Steady Load kgf	Colour	Across Flats A/F
# V10Z24M10040LDA	M12x1.75x100 mm	400	1000	Brown	7.0 mm
# V10Z24M10040HDA	M12x1.75x100 mm	700	1900	Black	7.0 mm
# V10Z24-40016LD	5/8-11 UNC x 4 in.	400	1000	Brown	9.5 mm
# V10Z24-40016HD	5/8-11 UNC x 4 in.	700	1900	Black	9.5 mm

Indicates item not stocked at time of printing - Please enquire for lead time
 E&OE Pricing and all details subject to change without notice - Copyright Miniature Bearings Australia Pty Ltd
 MBA Size Listings are a guide to sizes only and must not be solely relied on for critical design information.



DISTRIBUTED BY

Ask us to put your name and address here

<http://www.minibearings.com.au/product>

Ph +61 7 3245 7977

Fax +61 7 3245 1017

Catalogue requests to catalogues@minibearings.com.au

