



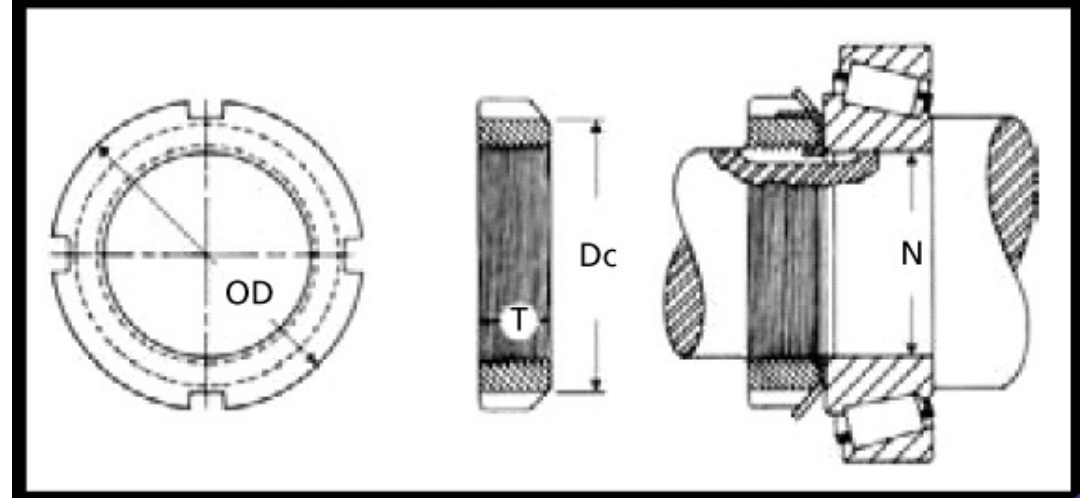
MBA

Nuts - Lock - For Bearings - AN Series Stainless Steel

N/AN series locknuts.

Use with W series stainless lockwashers.

AVAILABLE IN STAINLESS STEEL



Nuts - Lock - For Bearings - AN Series Stainless Steel

Part Number	Nominal ID mm <i>inches</i>	Threads per inch	Outside Dia (OD) mm <i>inches</i>	Thickness (T) min / max mm <i>inches</i>	Nut face dia. (Dc) min / max mm <i>inches</i>	Material	Mating Lockwasher
# NS-00	10.00 <i>0.394</i>	32	18.67 - 19.18	5.31 - 5.82	15.37 - 15.88	Stainless Steel	W-00
# NS-01	12.00 <i>0.472</i>	32	21.84 - 22.35	7.70 - 8.20	17.75 - 18.26	Stainless Steel	W-01
# NS-02	15.00 <i>0.591</i>	32	25.02 - 25.53	7.70 - 8.20	20.14 - 20.65	Stainless Steel	W-02
# NS-03	17.00 <i>0.669</i>	32	28.19 - 28.70	8.48 - 8.99	23.32 - 23.83	Stainless Steel	W-03

Indicates item not stocked at time of printing - Please enquire for lead time

E&OE Pricing and all details subject to change without notice - Copyright Miniature Bearings Australia Pty Ltd

MBA Size Listings are a guide to sizes only and must not be solely relied on for critical design information.

Nuts - Lock - For Bearings - AN Series Stainless Steel

Part Number	Nominal ID mm <i>inches</i>	Threads per inch	Outside Dia (OD) mm <i>inches</i>	Thickness (T) min / max mm <i>inches</i>	Nut face dia. (Dc) min / max mm <i>inches</i>	Material	Mating Lockwasher
# NS-04	20.00 <i>0.787</i>	32	34.54 - 35.05	9.27 - 9.78	28.07 - 28.58	Stainless Steel	W-04
# NS-05	25.00 <i>0.984</i>	32	39.31 - 39.81	10.06 - 10.57	32.03 - 32.54	Stainless Steel	W-05
# NS-06	30.00 <i>1.181</i>	18	44.07 - 44.58	10.06 - 10.57	37.59 - 38.10	Stainless Steel	W-06
# NS-065	33.33 <i>1.312</i>	18	52.01 - 52.51	10.87 - 11.38	45.54 - 46.05	Stainless Steel	WH-065
# NS-07	35.00 <i>1.378</i>	18	52.01 - 52.51	10.87 - 11.38	45.54 - 46.05	Stainless Steel	W-07
# NS-08	40.00 <i>1.575</i>	18	56.77 - 57.28	10.87 - 11.38	50.29 - 50.80	Stainless Steel	W-08
# NS-09	45.00 <i>1.772</i>	18	63.91 - 64.42	10.87 - 11.38	57.43 - 57.94	Stainless Steel	W-09
# NS-10	50.00 <i>1.969</i>	18	67.88 - 68.39	12.45 - 12.95	61.42 - 61.93	Stainless Steel	W-10
# NS-11	55.00 <i>2.165</i>	18	75.03 - 75.53	12.45 - 12.95	66.95 - 67.46	Stainless Steel	W-11
# NS-12	60.00 <i>2.362</i>	18	79.79 - 80.30	13.23 - 13.74	71.73 - 72.24	Stainless Steel	W-12

Indicates item not stocked at time of printing - Please enquire for lead time

E&OE Pricing and all details subject to change without notice - Copyright Miniature Bearings Australia Pty Ltd

MBA Size Listings are a guide to sizes only and must not be solely relied on for critical design information.

Nuts - Lock - For Bearings - AN Series Stainless Steel

Part Number	Nominal ID mm <i>inches</i>	Threads per inch	Outside Dia (OD) mm <i>inches</i>	Thickness (T) min / max mm <i>inches</i>	Nut face dia. (Dc) min / max mm <i>inches</i>	Material	Mating Lockwasher
# NS-13	65.00 <i>2.559</i>	18	85.34 - 85.85	14.05 - 14.55	77.29 - 77.80	Stainless Steel	W-13
# NS-14	70.00 <i>2.756</i>	18	91.69 - 92.20	14.05 - 14.55	83.39 - 84.15	Stainless Steel	W-14
# ANS-15	75.00 <i>2.953</i>	12	98.04 - 98.55	14.83 - 15.34	89.74 - 90.50	Stainless Steel	W-15
# ANS-16	80.00 <i>3.150</i>	12	105.19 - 105.70	14.83 - 15.34	96.88 - 97.64	Stainless Steel	W-16
# ANS-17	85.00 <i>3.346</i>	12	111.54 - 112.05	15.62 - 16.13	101.63 - 102.39	Stainless Steel	W-17
# ANS-18	90.00 <i>3.543</i>	12	117.89 - 118.40	17.22 - 17.73	107.98 - 108.74	Stainless Steel	W-18
# ANS-19	95.00 <i>3.740</i>	12	125.03 - 125.54	18.01 - 18.52	115.14 - 115.90	Stainless Steel	W-19
# ANS-20	100.00 <i>3.937</i>	12	131.38 - 131.89	18.67 - 19.30	121.49 - 122.25	Stainless Steel	W-20
# ANS-21	105.00 <i>4.134</i>	12	137.73 - 138.24	18.67 - 19.30	126.24 - 127.00	Stainless Steel	W-21
# ANS-22	110.00 <i>4.331</i>	12	144.88 - 145.38	19.46 - 20.09	133.38 - 134.14	Stainless Steel	W-22

Indicates item not stocked at time of printing - Please enquire for lead time

E&OE Pricing and all details subject to change without notice - Copyright Miniature Bearings Australia Pty Ltd

MBA Size Listings are a guide to sizes only and must not be solely relied on for critical design information.

Nuts - Lock - For Bearings - AN Series Stainless Steel

Part Number	Nominal ID mm <i>inches</i>	Threads per inch	Outside Dia (OD) mm <i>inches</i>	Thickness (T) min / max mm <i>inches</i>	Nut face dia. (Dc) min / max mm <i>inches</i>	Material	Mating Lockwasher
# ANS-24	120.00 <i>4.724</i>	12	155.19 - 155.70	20.27 - 20.90	143.71 - 144.48	Stainless Steel	W-24
# ANS-26	130.00 <i>5.118</i>	12	171.07 - 171.58	21.84 - 22.48	156.41 - 157.18	Stainless Steel	W-26
# ANS-28	140.00 <i>5.512</i>	12	179.80 - 180.31	23.44 - 24.08	165.13 - 165.89	Stainless Steel	W-28
# ANS-30	150.00 <i>5.906</i>	12	194.88 - 195.39	24.23 - 24.87	178.64 - 179.40	Stainless Steel	W-30
# ANS-32	160.00 <i>6.299</i>	8	204.41 - 204.91	25.81 - 26.44	187.91 - 188.93	Stainless Steel	W-32
# ANS-34	170.00 <i>6.693</i>	8	219.49 - 220.00	26.62 - 27.25	202.97 - 203.99	Stainless Steel	W-34
# ANS-36	180.00 <i>7.087</i>	8	229.81 - 230.31	27.41 - 28.04	211.71 - 212.73	Stainless Steel	W-36
# ANS-38	190.00 <i>7.480</i>	8	240.13 - 240.63	28.19 - 28.83	222.02 - 223.04	Stainless Steel	W-38
# ANS-40	200.00 <i>7.874</i>	8	249.65 - 250.16	29.79 - 30.43	231.55 - 232.56	Stainless Steel	W-40
# ANS-44	220.00 <i>8.661</i>	8	279.02 - 279.53	31.24 - 32.00	249.00 - 249.96	Stainless Steel	W-44

Indicates item not stocked at time of printing - Please enquire for lead time

E&OE Pricing and all details subject to change without notice - Copyright Miniature Bearings Australia Pty Ltd

MBA Size Listings are a guide to sizes only and must not be solely relied on for critical design information.



DISTRIBUTED BY

Ask us to put your name and address here

<http://www.minibearings.com.au/product>

Ph +61 7 3245 7977

Fax +61 7 3245 1017

Catalogue requests to catalogues@minibearings.com.au
