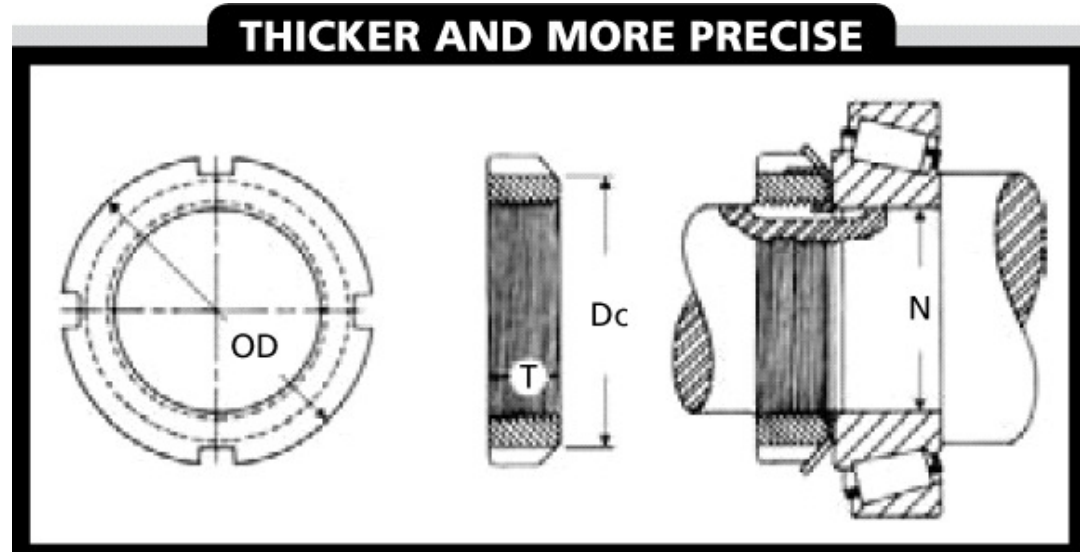




MBA

Nuts - Lock - For Bearings - Fine Thread

NI/NIN series imperial fine thread locknuts.
Use with WI series lockwashers.



Nuts - Lock - For Bearings - Fine Thread

Part Number	Nominal ID mm <i>inches</i>	Threads per inch	Outside Dia (OD) mm <i>inches</i>	Thickness (T) min / max mm <i>inches</i>	Nut face dia. (Dc) min / max mm <i>inches</i>	Material	Mating Lockwasher
# NI-01	19.05 (3/4)	16	37.72 - 38.23	9.27 - 9.78	29.67 - 30.18	Spring Steel	WI-01
# NI-02	22.23 (7/8)	16	40.89 - 41.40	9.27 - 9.78	32.84 - 33.35	Spring Steel	WI-02
# NI-03	25.40 (1 in.)	16	44.07 - 44.58	9.27 - 9.78	36.02 - 36.53	Spring Steel	WI-03
# NI-04	28.58 (1.1/8)	16	47.24 - 47.75	9.27 - 9.78	39.19 - 39.70	Spring Steel	WI-04
# NI-05	31.75 (1.1/4)	16	50.42 - 50.93	12.45 - 12.95	42.37 - 42.88	Spring Steel	WI-05
# NI-06	34.93 (1.3/8)	16	56.77 - 57.28	12.45 - 12.95	48.72 - 49.23	Spring Steel	WI-06

Indicates item not stocked at time of printing - Please enquire for lead time
 E&OE Pricing and all details subject to change without notice - Copyright Miniature Bearings Australia Pty Ltd
 MBA Size Listings are a guide to sizes only and must not be solely relied on for critical design information.

Nuts - Lock - For Bearings - Fine Thread

Part Number	Nominal ID mm <i>inches</i>	Threads per inch	Outside Dia (OD) mm <i>inches</i>	Thickness (T) min / max mm <i>inches</i>	Nut face dia. (Dc) min / max mm <i>inches</i>	Material	Mating Lockwasher
# NI-07	38.10 (1.1/2)	16	56.77 - 57.28	12.45 - 12.95	48.72 - 49.23	Spring Steel	WI-07
# NI-08	41.28 (1.5/8)	16	63.12 - 63.63	12.45 - 12.95	55.07 - 55.58	Spring Steel	WI-08
# NI-09	44.45 (1.3/4)	16	66.29 - 66.80	12.45 - 12.95	58.24 - 58.75	Spring Steel	WI-09
# NI-10	47.63 (1.7/8)	16	69.47 - 69.98	12.45 - 12.95	61.42 - 61.93	Spring Steel	WI-10
# NI-11	50.80 (2 in.)	16	75.82 - 76.33	12.45 - 12.95	67.77 - 68.28	Spring Steel	WI-11
# NI-12	57.15 (2.1/4)	16	82.17 - 82.68	15.62 - 16.13	72.52 - 73.03	Spring Steel	WI-12
# NI-13	63.50 (2.1/2)	16	88.52 - 89.03	15.62 - 16.13	78.87 - 79.38	Spring Steel	WI-13
# NI-14	69.85 (2.3/4)	16	94.87 - 95.38	15.62 - 16.13	84.96 - 85.73	Spring Steel	WI-14

Indicates item not stocked at time of printing - Please enquire for lead time

E&OE Pricing and all details subject to change without notice - Copyright Miniature Bearings Australia Pty Ltd

MBA Size Listings are a guide to sizes only and must not be solely relied on for critical design information.



DISTRIBUTED BY

Ask us to put your name and address here

<http://www.minibearings.com.au/product>

Ph +61 7 3245 7977

Fax +61 7 3245 1017

Catalogue requests to catalogues@minibearings.com.au

