



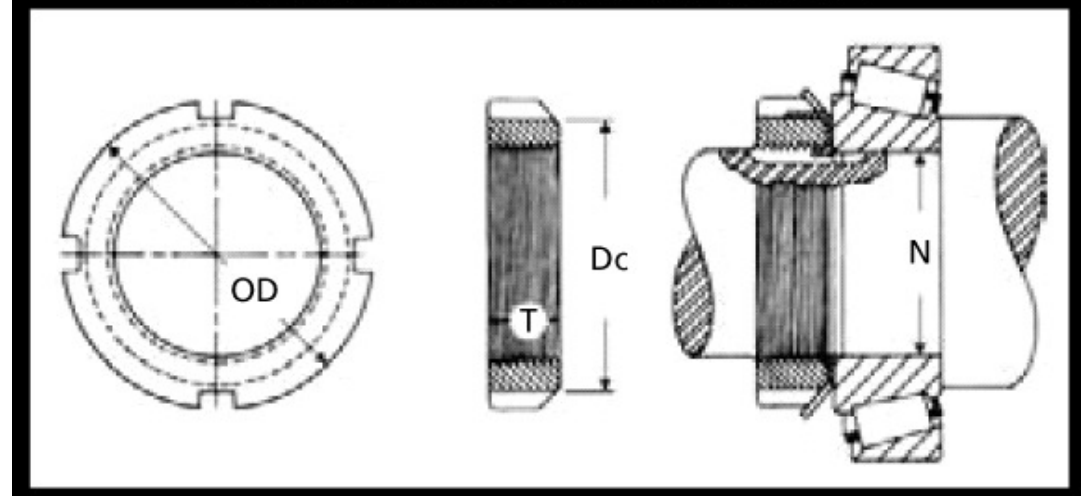
MBA

Nuts - Lock - For Bearings - Heavy Duty

NH / NHE series locknuts.

Use with WH series lockwashers.

THICKER AND MORE PRECISE



Nuts - Lock - For Bearings - Heavy Duty

Part Number	Nominal ID mm <i>inches</i>	Threads per inch	Outside Dia (OD) mm <i>inches</i>	Thickness (T) min / max mm <i>inches</i>	Nut face dia. (Dc) min / max mm <i>inches</i>	Material	Mating Lockwasher
# NH-08	40.00 <i>1.575</i>	18	56.77 - 57.28	14.03 - 14.54	50.29 - 50.80	Low Carbon	WH-08
# NH-09	45.00 <i>1.772</i>	18	63.91 - 64.42	14.03 - 14.54	57.43 - 56.59	Low Carbon	WH-09
# NH-10	50.00 <i>1.969</i>	18	67.88 - 68.39	15.62 - 16.13	61.42 - 61.93	Low Carbon	WH-10
# NH-11	55.00 <i>2.165</i>	18	75.03 - 75.53	15.62 - 16.13	66.95 - 67.46	Low Carbon	WH-11

Indicates item not stocked at time of printing - Please enquire for lead time

E&OE Pricing and all details subject to change without notice - Copyright Miniature Bearings Australia Pty Ltd

MBA Size Listings are a guide to sizes only and must not be solely relied on for critical design information.

Nuts - Lock - For Bearings - Heavy Duty

Part Number	Nominal ID mm <i>inches</i>	Threads per inch	Outside Dia (OD) mm <i>inches</i>	Thickness (T) min / max mm <i>inches</i>	Nut face dia. (Dc) min / max mm <i>inches</i>	Material	Mating Lockwasher
# NH-12	60.00 <i>2.362</i>	18	79.79 - 80.30	16.41 - 16.92	71.73 - 72.24	Low Carbon	WH-12
# NH-13	65.00 <i>2.559</i>	18	85.34 - 85.85	18.00 - 18.51	77.29 - 77.80	Low Carbon	WH-13
# NH-14	70.00 <i>2.756</i>	18	91.69 - 92.20	18.00 - 18.51	83.39 - 84.15	Low Carbon	WH-14
# NH-15	75.00 <i>2.953</i>	12	98.04 - 98.55	18.80 - 19.30	89.74 - 90.50	Low Carbon	WH-15
# NH-16	80.00 <i>3.150</i>	12	105.19 - 105.70	18.80 - 19.30	96.88 - 97.64	Low Carbon	WH-16
# NH-17	85.00 <i>3.346</i>	12	111.54 - 112.05	19.59 - 20.10	101.63 - 102.39	Low Carbon	WH-17
# NH-19	85.00 <i>3.346</i>	12	125.03 - 125.54	22.76 - 23.27	115.14 - 115.90	Low Carbon	WH-19
# NH-18	90.00 <i>3.543</i>	12	117.89 - 118.40	21.97 - 22.48	107.98 - 108.74	Low Carbon	WH-18
# NH-20	100.00 <i>3.937</i>	12	131.38 - 131.89	23.56 - 24.07	121.49 - 122.25	Low Carbon	WH-20
# NH-21	105.00 <i>4.134</i>	12	137.73 - 138.24	23.56 - 24.07	126.24 - 127.00	Low Carbon	WH-21

Indicates item not stocked at time of printing - Please enquire for lead time

E&OE Pricing and all details subject to change without notice - Copyright Miniature Bearings Australia Pty Ltd

MBA Size Listings are a guide to sizes only and must not be solely relied on for critical design information.

Nuts - Lock - For Bearings - Heavy Duty

Part Number	Nominal ID mm <i>inches</i>	Threads per inch	Outside Dia (OD) mm <i>inches</i>	Thickness (T) min / max mm <i>inches</i>	Nut face dia. (Dc) min / max mm <i>inches</i>	Material	Mating Lockwasher
# NH-22	110.00 <i>4.331</i>	12	144.88 - 145.38	24.35 - 24.86	133.38 - 134.14	Low Carbon	WH-22
# NH-24	120.00 <i>4.724</i>	12	155.19 - 155.70	25.94 - 26.45	143.71 - 144.48	Low Carbon	WH-24
# NH-26	130.00 <i>5.118</i>	12	171.07 - 171.58	27.53 - 28.04	156.41 - 157.18	Low Carbon	WH-26
# NH-28	140.00 <i>5.512</i>	12	179.80 - 180.31	29.91 - 30.42	165.13 - 165.91	Low Carbon	WH-28
# NH-30	150.00 <i>5.906</i>	12	194.88 - 195.39	31.50 - 32.00	178.64 - 179.40	Low Carbon	WH-30
# NH-32	160.00 <i>6.299</i>	8	204.41 - 204.91	32.29 - 32.80	187.91 - 188.93	Low Carbon	WH-32
# NH-34	170.00 <i>6.693</i>	8	219.49 - 220.00	33.88 - 34.39	202.97 - 203.99	Low Carbon	WH-34
# NH-36	180.00 <i>7.087</i>	8	229.81 - 230.31	35.46 - 35.97	211.71 - 212.73	Low Carbon	WH-36
# NH-38	190.00 <i>7.480</i>	8	240.13 - 240.63	35.46 - 35.97	222.02 - 223.04	Low Carbon	WH-38
# NH-40	200.00 <i>7.874</i>	8	249.65 - 250.16	37.85 - 38.35	231.55 - 232.56	Low Carbon	WH-40

Indicates item not stocked at time of printing - Please enquire for lead time

E&OE Pricing and all details subject to change without notice - Copyright Miniature Bearings Australia Pty Ltd

MBA Size Listings are a guide to sizes only and must not be solely relied on for critical design information.



DISTRIBUTED BY

Ask us to put your name and address here

<http://www.minibearings.com.au/product>

Ph +61 7 3245 7977

Fax +61 7 3245 1017

Catalogue requests to catalogues@minibearings.com.au
