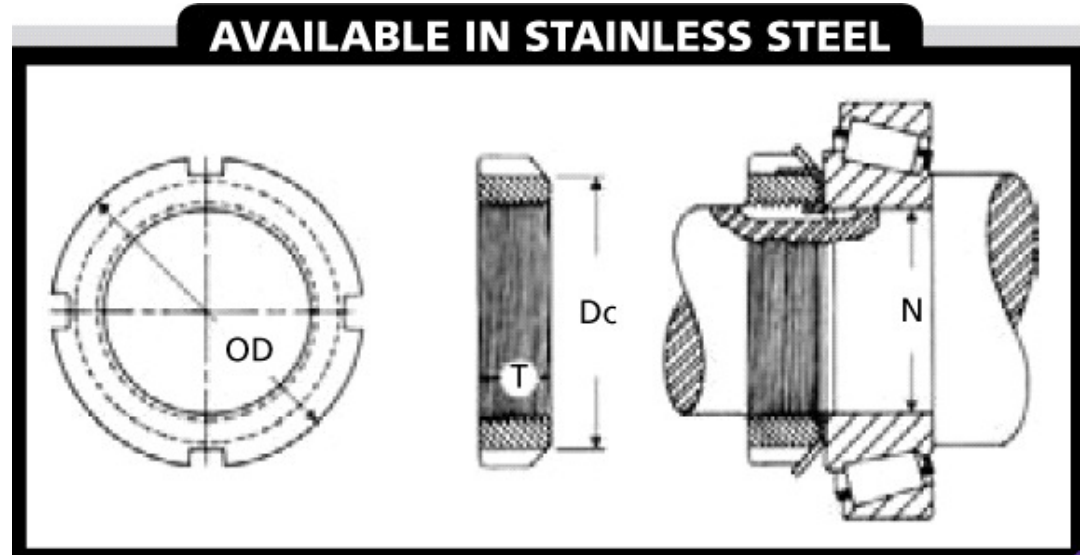




MBA

Nuts - Lock - For Bearings - Metric KM Series

Use with MB series lockwashers.



Nuts - Lock - For Bearings - Metric KM Series

Part Number	Nominal ID mm	Thread Pitch	Outside Dia (OD) mm	Thickness (T) min / max mm	Nut face dia. (Dc) min / max mm	Material	Mating Lockwasher
	<i>inches</i>		<i>inches</i>	<i>inches</i>	<i>inches</i>		
# KM-00	10.00 <i>0.394</i>	0.75	18.00 <i>0.709</i>	4.00 <i>0.157</i>	13.50 <i>0.531</i>	Low Carbon	MB-00
# KM-01	12.00 <i>0.472</i>	1.00	22.00 <i>0.866</i>	4.00 <i>0.157</i>	17.00 <i>0.669</i>	Low Carbon	MB-01
# KM-02	15.00 <i>0.591</i>	1.00	25.00 <i>0.984</i>	5.00 <i>0.197</i>	21.00 <i>0.827</i>	Low Carbon	MB-02
# KM-03	17.00 <i>0.669</i>	1.00	28.00 <i>1.102</i>	5.00 <i>0.197</i>	24.00 <i>0.945</i>	Low Carbon	MB-03

Indicates item not stocked at time of printing - Please enquire for lead time

E&OE Pricing and all details subject to change without notice - Copyright Miniature Bearings Australia Pty Ltd

MBA Size Listings are a guide to sizes only and must not be solely relied on for critical design information.

Nuts - Lock - For Bearings - Metric KM Series

Part Number	Nominal ID mm <i>inches</i>	Thread Pitch	Outside Dia (OD) mm <i>inches</i>	Thickness (T) min / max mm <i>inches</i>	Nut face dia. (Dc) min / max mm <i>inches</i>	Material	Mating Lockwasher
# KM-04	20.00 <i>0.787</i>	1.00	32.00 <i>1.260</i>	6.00 <i>0.236</i>	26.00 <i>1.024</i>	Low Carbon	MB-04
# KM-045	22.00 <i>0.866</i>	1.00	34.00 <i>1.339</i>	6.00 <i>0.236</i>	28.00 <i>1.102</i>	Low Carbon	MB-045
# KM-05	25.00 <i>0.984</i>	1.50	38.00 <i>1.496</i>	7.00 <i>0.276</i>	32.00 <i>1.260</i>	Low Carbon	MB-05
# KM-055	28.00 <i>1.102</i>	1.50	42.00 <i>1.654</i>	7.00 <i>0.276</i>	36.00 <i>1.417</i>	Low Carbon	MB-055
# KM-06	30.00 <i>1.181</i>	1.50	45.00 <i>1.772</i>	7.00 <i>0.276</i>	38.00 <i>1.496</i>	Low Carbon	MB-06
# KM-065	32.00 <i>1.260</i>	1.50	48.00 <i>1.890</i>	8.00 <i>0.315</i>	40.00 <i>1.575</i>	Low Carbon	MB-065
# KM-07	35.00 <i>1.378</i>	1.50	52.00 <i>2.047</i>	8.00 <i>0.315</i>	44.00 <i>1.732</i>	Low Carbon	MB-07
# KM-08	40.00 <i>1.575</i>	1.50	58.00 <i>2.283</i>	9.00 <i>0.354</i>	50.00 <i>1.969</i>	Low Carbon	MB-08
# KM-09	45.00 <i>1.772</i>	1.50	65.00 <i>2.559</i>	10.00 <i>0.394</i>	56.00 <i>2.205</i>	Low Carbon	MB-09
# KM-10	50.00 <i>1.969</i>	1.50	70.00 <i>2.756</i>	11.00 <i>0.433</i>	61.00 <i>2.402</i>	Low Carbon	MB-10

Indicates item not stocked at time of printing - Please enquire for lead time

E&OE Pricing and all details subject to change without notice - Copyright Miniature Bearings Australia Pty Ltd

MBA Size Listings are a guide to sizes only and must not be solely relied on for critical design information.

Nuts - Lock - For Bearings - Metric KM Series

Part Number	Nominal ID mm <i>inches</i>	Thread Pitch	Outside Dia (OD) mm <i>inches</i>	Thickness (T) min / max mm <i>inches</i>	Nut face dia. (Dc) min / max mm <i>inches</i>	Material	Mating Lockwasher
# KM-11	55.00 <i>2.165</i>	2.00	75.00 <i>2.953</i>	11.00 <i>0.433</i>	67.00 <i>2.638</i>	Low Carbon	MB-11
# KM-12	60.00 <i>2.362</i>	2.00	80.00 <i>3.150</i>	11.00 <i>0.433</i>	73.00 <i>2.874</i>	Low Carbon	MB-12
# KM-13	65.00 <i>2.559</i>	2.00	85.00 <i>3.346</i>	12.00 <i>0.472</i>	79.00 <i>3.110</i>	Low Carbon	MB-13
# KM-14	70.00 <i>2.756</i>	2.00	92.00 <i>3.622</i>	12.00 <i>0.472</i>	85.00 <i>3.346</i>	Low Carbon	MB-14
# KM-15	75.00 <i>2.953</i>	2.00	98.00 <i>3.858</i>	13.00 <i>0.512</i>	90.00 <i>3.543</i>	Low Carbon	MB-15
# KM-16	80.00 <i>3.150</i>	2.00	105.00 <i>4.134</i>	15.00 <i>0.591</i>	95.00 <i>3.740</i>	Low Carbon	MB-16
# KM-17	85.00 <i>3.346</i>	2.00	110.00 <i>4.331</i>	16.00 <i>0.630</i>	102.00 <i>4.016</i>	Low Carbon	MB-17
# KM-18	90.00 <i>3.543</i>	2.00	120.00 <i>4.724</i>	16.00 <i>0.630</i>	108.00 <i>4.252</i>	Low Carbon	MB-18
# KM-19	95.00 <i>3.740</i>	2.00	125.00 <i>4.921</i>	17.00 <i>0.669</i>	113.00 <i>4.449</i>	Low Carbon	MB-19
# KM-20	100.00 <i>3.937</i>	2.00	130.00 <i>5.118</i>	18.00 <i>0.709</i>	120.00 <i>4.724</i>	Low Carbon	MB-20

Indicates item not stocked at time of printing - Please enquire for lead time

E&OE Pricing and all details subject to change without notice - Copyright Miniature Bearings Australia Pty Ltd

MBA Size Listings are a guide to sizes only and must not be solely relied on for critical design information.

Nuts - Lock - For Bearings - Metric KM Series

Part Number	Nominal ID mm <i>inches</i>	Thread Pitch	Outside Dia (OD) mm <i>inches</i>	Thickness (T) min / max mm <i>inches</i>	Nut face dia. (Dc) min / max mm <i>inches</i>	Material	Mating Lockwasher
# KM-21	105.00 <i>4.134</i>	2.00	140.00 <i>5.512</i>	18.00 <i>0.709</i>	126.00 <i>4.961</i>	Low Carbon	MB-21
# KM-22	110.00 <i>4.331</i>	2.00	145.00 <i>5.709</i>	19.00 <i>0.748</i>	133.00 <i>5.236</i>	Low Carbon	MB-22
# KM-23	115.00 <i>4.528</i>	2.00	150.00 <i>5.906</i>	19.00 <i>0.748</i>	137.00 <i>5.394</i>	Low Carbon	MB-23
# KM-24	120.00 <i>4.724</i>	2.00	155.00 <i>6.102</i>	20.00 <i>0.787</i>	138.00 <i>5.433</i>	Low Carbon	MB-24
# KM-25	125.00 <i>4.921</i>	2.00	160.00 <i>6.299</i>	21.00 <i>0.827</i>	148.00 <i>5.827</i>	Low Carbon	MB-25
# KM-26	130.00 <i>5.118</i>	2.00	165.00 <i>6.496</i>	21.00 <i>0.827</i>	149.00 <i>5.866</i>	Low Carbon	MB-26
# KM-27	135.00 <i>5.315</i>	2.00	175.00 <i>6.890</i>	22.00 <i>0.866</i>	160.00 <i>6.299</i>	Low Carbon	MB-27
# KM-28	140.00 <i>5.512</i>	2.00	180.00 <i>7.087</i>	22.00 <i>0.866</i>	160.00 <i>6.299</i>	Low Carbon	MB-28
# KM-29	145.00 <i>5.709</i>	2.00	190.00 <i>7.480</i>	24.00 <i>0.945</i>	171.00 <i>6.732</i>	Low Carbon	MB-29
# KM-30	150.00 <i>5.906</i>	2.00	195.00 <i>7.677</i>	24.00 <i>0.945</i>	171.00 <i>6.732</i>	Low Carbon	MB-30

Indicates item not stocked at time of printing - Please enquire for lead time

E&OE Pricing and all details subject to change without notice - Copyright Miniature Bearings Australia Pty Ltd

MBA Size Listings are a guide to sizes only and must not be solely relied on for critical design information.

Nuts - Lock - For Bearings - Metric KM Series

Part Number	Nominal ID mm <i>inches</i>	Thread Pitch	Outside Dia (OD) mm <i>inches</i>	Thickness (T) min / max mm <i>inches</i>	Nut face dia. (Dc) min / max mm <i>inches</i>	Material	Mating Lockwasher
# KM-31	155.00 <i>6.102</i>	3.00	200.00 <i>7.874</i>	25.00 <i>0.984</i>	182.00 <i>7.165</i>	Low Carbon	MB-31
# KM-32	160.00 <i>6.299</i>	3.00	210.00 <i>8.268</i>	25.00 <i>0.984</i>	182.00 <i>7.165</i>	Low Carbon	MB-32
# KM-33	165.00 <i>6.496</i>	3.00	210.00 <i>8.268</i>	26.00 <i>1.024</i>	193.00 <i>7.598</i>	Low Carbon	MB-33
# KM-34	170.00 <i>6.693</i>	3.00	220.00 <i>8.661</i>	26.00 <i>1.024</i>	193.00 <i>7.598</i>	Low Carbon	MB-34
# KM-36	180.00 <i>7.087</i>	3.00	230.00 <i>9.055</i>	27.00 <i>1.063</i>	203.00 <i>7.992</i>	Low Carbon	MB-36
# KM-40	200.00 <i>7.874</i>	3.00	250.00 <i>9.843</i>	29.00 <i>1.142</i>	226.00 <i>8.898</i>	Low Carbon	MB-40

Indicates item not stocked at time of printing - Please enquire for lead time

E&OE Pricing and all details subject to change without notice - Copyright Miniature Bearings Australia Pty Ltd

MBA Size Listings are a guide to sizes only and must not be solely relied on for critical design information.



DISTRIBUTED BY

Ask us to put your name and address here

<http://www.minibearings.com.au/product>

Ph +61 7 3245 7977

Fax +61 7 3245 1017

Catalogue requests to catalogues@minibearings.com.au
