



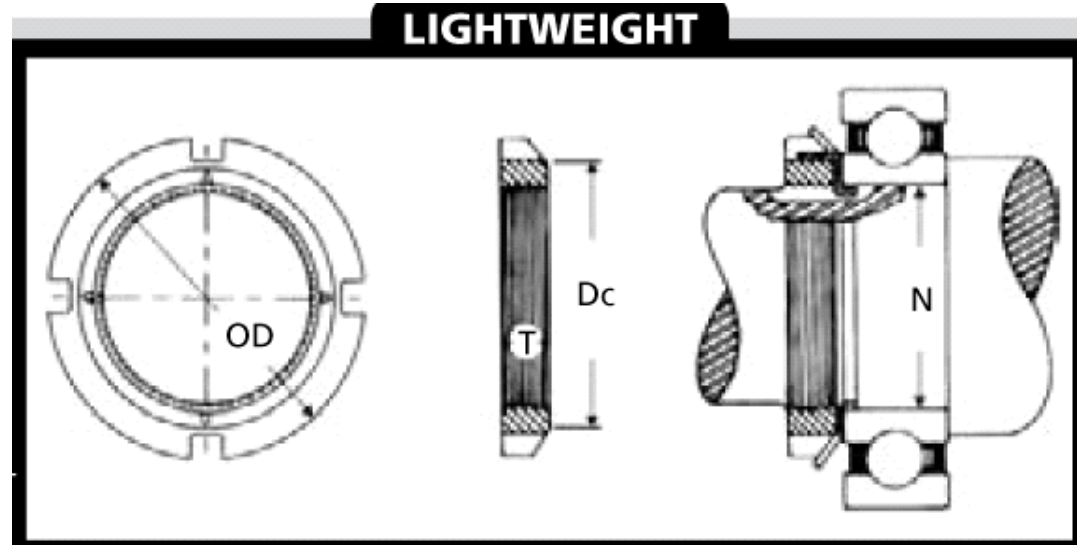
MBA

Nuts - Lock - For Bearings - Thin Section

NT/NTH series thin section.

With a smaller OD and thinner section uses less space and weigh less than a standard locknut.

Used in aircraft, electronics and small bearing machine tools.



Nuts - Lock - For Bearings - Thin Section

Part Number	Nominal ID mm <i>inches</i>	Threads per inch	Outside Dia (OD) mm <i>inches</i>	Thickness (T) min / max mm <i>inches</i>	Nut face dia. (Dc) min / max mm <i>inches</i>	Material	Mating Lockwasher
# NT-00	10.00 <i>0.394</i>	32	17.88 - 18.38	4.52 - 5.03	12.98 - 13.49	Low Carbon	WT-00
# NT-01	12.00 <i>0.472</i>	32	20.26 - 20.76	4.52 - 5.03	15.37 - 15.88	Low Carbon	WT-01
# NT-02	15.00 <i>0.591</i>	32	23.43 - 23.94	5.31 - 5.82	18.54 - 19.05	Low Carbon	WT-02
# NT-03	17.00 <i>0.669</i>	32	26.61 - 27.11	5.31 - 5.82	21.72 - 22.23	Low Carbon	WT-03

Indicates item not stocked at time of printing - Please enquire for lead time

E&OE Pricing and all details subject to change without notice - Copyright Miniature Bearings Australia Pty Ltd

MBA Size Listings are a guide to sizes only and must not be solely relied on for critical design information.

Nuts - Lock - For Bearings - Thin Section

Part Number	Nominal ID mm <i>inches</i>	Threads per inch	Outside Dia (OD) mm <i>inches</i>	Thickness (T) min / max mm <i>inches</i>	Nut face dia. (Dc) min / max mm <i>inches</i>	Material	Mating Lockwasher
# NT-04	20.00 <i>0.787</i>	32	29.78 - 30.29	6.10 - 6.60	24.89 - 25.40	Low Carbon	WT-04
# NT-05	25.00 <i>0.984</i>	32	34.54 - 35.05	6.10 - 6.60	29.67 - 30.18	Low Carbon	WT-05
# NT-06	30.00 <i>1.181</i>	18	42.48 - 42.99	6.10 - 6.60	36.02 - 36.53	Low Carbon	WT-06
# NT-07	35.00 <i>1.378</i>	18	48.04 - 48.55	6.88 - 7.39	41.55 - 42.06	Low Carbon	WT-07
# NT-08	40.00 <i>1.575</i>	18	52.80 - 53.31	6.88 - 7.39	46.33 - 46.84	Low Carbon	WT-08
# NT-09	45.00 <i>1.772</i>	18	58.36 - 58.86	6.88 - 7.39	51.87 - 52.37	Low Carbon	WT-09
# NT-10	50.00 <i>1.969</i>	18	63.12 - 63.63	7.67 - 8.18	56.64 - 57.15	Low Carbon	WT-10
# NT-11	55.00 <i>2.165</i>	18	69.47 - 69.98	7.67 - 8.18	62.99 - 63.50	Low Carbon	WT-11
# NT-12	60.00 <i>2.362</i>	18	74.23 - 74.74	7.67 - 8.18	67.77 - 68.28	Low Carbon	WT-12
# NT-13	65.00 <i>2.559</i>	18	78.99 - 79.50	8.48 - 8.99	72.52 - 73.03	Low Carbon	WT-13

Indicates item not stocked at time of printing - Please enquire for lead time

E&OE Pricing and all details subject to change without notice - Copyright Miniature Bearings Australia Pty Ltd

MBA Size Listings are a guide to sizes only and must not be solely relied on for critical design information.

Nuts - Lock - For Bearings - Thin Section

Part Number	Nominal ID mm <i>inches</i>	Threads per inch	Outside Dia (OD) mm <i>inches</i>	Thickness (T) min / max mm <i>inches</i>	Nut face dia. (Dc) min / max mm <i>inches</i>	Material	Mating Lockwasher
# NT-14	70.00 <i>2.756</i>	18	84.55 - 85.06	8.48 - 8.99	78.08 - 78.59	Low Carbon	WT-14
# NT-15	75.00 <i>2.953</i>	12	93.28 - 93.79	8.48 - 8.99	85.22 - 85.73	Low Carbon	WT-15
# NT-16	80.00 <i>3.150</i>	12	98.84 - 99.35	9.27 - 9.78	9.08 - 91.29	Low Carbon	WT-16
# NT-17	85.00 <i>3.346</i>	12	104.39 - 104.90	9.27 - 9.78	96.32 - 96.82	Low Carbon	WT-17
# NT-18	90.00 <i>3.543</i>	12	109.16 - 109.66	9.27 - 9.78	101.09 - 101.60	Low Carbon	WT-18

Indicates item not stocked at time of printing - Please enquire for lead time

E&OE Pricing and all details subject to change without notice - Copyright Miniature Bearings Australia Pty Ltd

MBA Size Listings are a guide to sizes only and must not be solely relied on for critical design information.



DISTRIBUTED BY

Ask us to put your name and address here

<http://www.minibearings.com.au/product>

Ph +61 7 3245 7977

Fax +61 7 3245 1017

Catalogue requests to catalogues@minibearings.com.au
