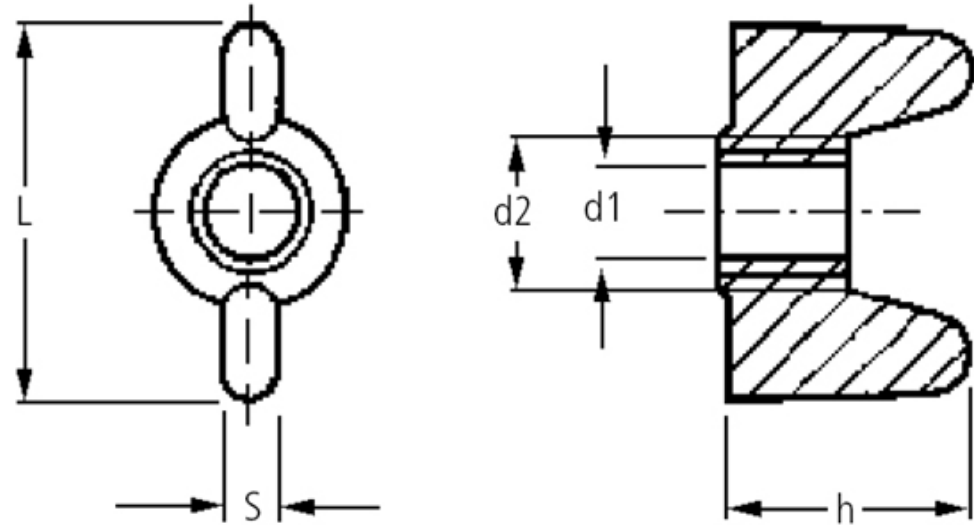




MBA

Nuts - Wing - Nylon



Nuts - Wing - Nylon

Part Number	Thread Size	Pitch in mm / Threads Per Inch mm	d2 mm	L mm	h mm	S mm	Material
		<i>inches</i>	<i>inches</i>	<i>inches</i>	<i>inches</i>	<i>inches</i>	
# NUTW-M03.0-NY	3.0mm (M3x0.5 Standard)	0.500 mm / 50.8 TPI	5.5 <i>0.217</i>	11.0 <i>0.433</i>	6.0 <i>0.236</i>	1.5 <i>0.059</i>	Natural Nylon 6.6
# NUTW-M04.0-NY	4.0mm (M4x0.7 Standard)	0.700 mm / 36.29 TPI	7.0 <i>0.276</i>	14.0 <i>0.551</i>	8.0 <i>0.315</i>	2.0 <i>0.079</i>	Natural Nylon 6.6
NUTW-M05.0-NY	5.0mm (M5x0.8)	0.800 mm / 31.75 TPI	8.0 <i>0.315</i>	16.0 <i>0.630</i>	10.0 <i>0.394</i>	2.5 <i>0.098</i>	Natural Nylon 6.6
# NUTW-M06.0-NY	6.0mm (M6x1 Standard)	1.000 mm / 25.4 TPI	10.0 <i>0.394</i>	20.0 <i>0.787</i>	12.0 <i>0.472</i>	3.0 <i>0.118</i>	Natural Nylon 6.6

Indicates item not stocked at time of printing - Please enquire for lead time
 E&OE Pricing and all details subject to change without notice - Copyright Miniature Bearings Australia Pty Ltd
 MBA Size Listings are a guide to sizes only and must not be solely relied on for critical design information.

Nuts - Wing - Nylon

Part Number	Thread Size	Pitch in mm / Threads Per Inch mm	d2 mm	L mm	h mm	S mm	Material
		<i>inches</i>	<i>inches</i>	<i>inches</i>	<i>inches</i>	<i>inches</i>	
# NUTW-M08.0-NY	8.0mm (M8x1.25 Standard)	1.250 mm / 20.32 TPI	13.0	26.0	16.0	4.0	Natural Nylon 6.6
			<i>0.512</i>	<i>1.024</i>	<i>0.630</i>	<i>0.157</i>	
# NUTW-M10.0-NY	10.0mm (M10x1.5)	1.500 mm / 16.93 TPI	17.0	34.0	20.0	5.0	Natural Nylon 6.6
			<i>0.669</i>	<i>1.339</i>	<i>0.787</i>	<i>0.197</i>	

Indicates item not stocked at time of printing - Please enquire for lead time

E&OE Pricing and all details subject to change without notice - Copyright Miniature Bearings Australia Pty Ltd

MBA Size Listings are a guide to sizes only and must not be solely relied on for critical design information.



DISTRIBUTED BY

Ask us to put your name and address here

<http://www.minibearings.com.au/product>

Ph +61 7 3245 7977

Fax +61 7 3245 1017

Catalogue requests to catalogues@minibearings.com.au
