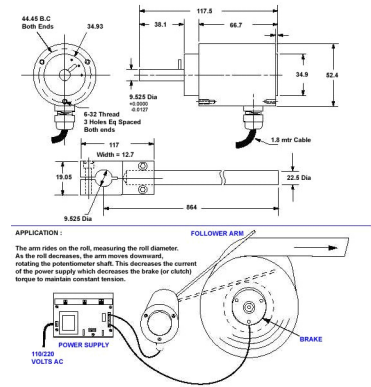




MBA

Potentiometer - Follower Arm

Maintain constant tension when using a brake for producing unwind tension or a clutch for rewind tension.
 use with power supply S90MPS-24MCF (See category - Power Supplies).



Potentiometer - Follower Arm

Part Number	Resistance Ohm	Electrical Angle Deg	Mechanical Angle (No stops) Deg	Drag Torque oz.in	Supplied with
# PFA-500	500.00	65.00	360.00	4 oz.in. max	Shaft Clamp, 12 inch Arm and 6 foot Cable included



DISTRIBUTED BY

Ask us to put your name and address here

<http://www.minibearings.com.au/product>

Ph +61 7 3245 7977

Fax +61 7 3245 1017

Catalogue requests to catalogues@minibearings.com.au

