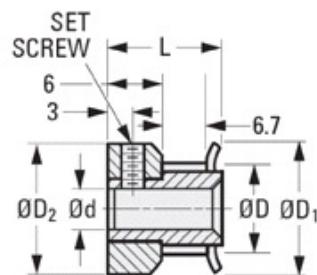


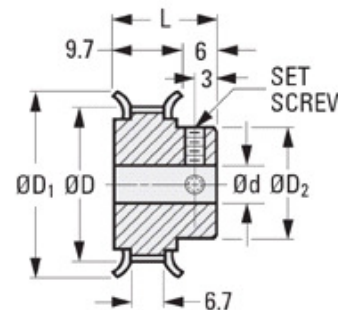


MBA

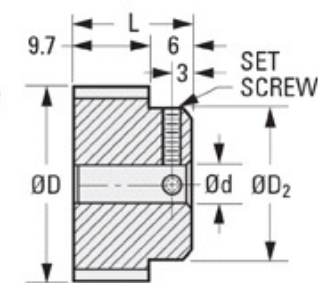
**Pulleys - Timing - 1.000mm
Pitch - Suits 6mm Belts**



Type 1



Type 2



Type 3

Timing Pulleys to suit 1mm Pitch Timing Belts.

Aluminium Alloy

Pulleys - Timing - 1.000mm Pitch - Suits 6mm Belts

Part Number	Teeth (No.)	Suit Belt Width mm	Bore (d) mm	Material	Locking Type	Type (See Diagram)	Pitch Diameter (PD) mm	Flange Diameter (FD) mm	Overall Length (OL) mm	Hub Diameter (HD) mm
		<i>inches</i>	<i>inches</i>				<i>inches</i>	<i>inches</i>	<i>inches</i>	<i>inches</i>
# P-1MM-018-060FF-AL-SET-02.000	18	6	2	Aluminium Alloy	Set Screw M2	1	5.73	9	14.2	9
		<i>0.236</i>	<i>0.079</i>				<i>0.226</i>	<i>0.354</i>	<i>0.559</i>	<i>0.354</i>
# P-1MM-020-060FF-AL-SET-02.000	20	6	2	Aluminium Alloy	Set Screw M2	1	6.37	9	14.2	9
		<i>0.236</i>	<i>0.079</i>				<i>0.251</i>	<i>0.354</i>	<i>0.559</i>	<i>0.354</i>
# P-1MM-020-060FF-AL-SET-03.000	20	6	3	Aluminium Alloy	Set Screw M2	1	6.37	9	14.2	9
		<i>0.236</i>	<i>0.118</i>				<i>0.251</i>	<i>0.354</i>	<i>0.559</i>	<i>0.354</i>

Indicates item not stocked at time of printing - Please enquire for lead time

E&OE Pricing and all details subject to change without notice - Copyright Miniature Bearings Australia Pty Ltd

MBA Size Listings are a guide to sizes only and must not be solely relied on for critical design information.

Pulleys - Timing - 1.000mm Pitch - Suits 6mm Belts

Part Number	Teeth (No.)	Suit Belt Width mm	Bore (d) mm	Material	Locking Type	Type (See Diagram)	Pitch Diameter (PD) mm	Flange Diameter (FD) mm	Overall Length (OL) mm	Hub Diameter (HD) mm
		<i>inches</i>	<i>inches</i>				<i>inches</i>	<i>inches</i>	<i>inches</i>	<i>inches</i>
# P-1MM-021-060FF-AL-SET-02.000	21	6	2	Aluminium Alloy	Set Screw M2	1	6.68	9	14.2	9
		<i>0.236</i>	<i>0.079</i>				<i>0.263</i>	<i>0.354</i>	<i>0.559</i>	<i>0.354</i>
# P-1MM-021-060FF-AL-SET-03.000	21	6	3	Aluminium Alloy	Set Screw M2	1	6.68	9	14.2	9
		<i>0.236</i>	<i>0.118</i>				<i>0.263</i>	<i>0.354</i>	<i>0.559</i>	<i>0.354</i>
# P-1MM-022-060FF-AL-SET-02.000	22	6	2	Aluminium Alloy	Set Screw M2	1	7	9	14.2	9
		<i>0.236</i>	<i>0.079</i>				<i>0.276</i>	<i>0.354</i>	<i>0.559</i>	<i>0.354</i>
# P-1MM-022-060FF-AL-SET-03.000	22	6	3	Aluminium Alloy	Set Screw M2	1	7	9	14.2	9
		<i>0.236</i>	<i>0.118</i>				<i>0.276</i>	<i>0.354</i>	<i>0.559</i>	<i>0.354</i>
# P-1MM-024-060FF-AL-SET-03.000	24	6	3	Aluminium Alloy	Set Screw M2	1	7.64	12.7	14.2	12.7
		<i>0.236</i>	<i>0.118</i>				<i>0.301</i>	<i>0.500</i>	<i>0.559</i>	<i>0.500</i>
# P-1MM-024-060FF-AL-SET-04.000	24	6	4	Aluminium Alloy	Set Screw M2	1	7.64	12.7	14.2	12.7
		<i>0.236</i>	<i>0.157</i>				<i>0.301</i>	<i>0.500</i>	<i>0.559</i>	<i>0.500</i>
# P-1MM-025-060FF-AL-SET-03.000	25	6	3	Aluminium Alloy	Set Screw M2	1	7.96	12.7	14.2	12.7
		<i>0.236</i>	<i>0.118</i>				<i>0.313</i>	<i>0.500</i>	<i>0.559</i>	<i>0.500</i>
# P-1MM-025-060FF-AL-SET-04.000	25	6	4	Aluminium Alloy	Set Screw M2	1	7.96	12.7	14.2	12.7
		<i>0.236</i>	<i>0.157</i>				<i>0.313</i>	<i>0.500</i>	<i>0.559</i>	<i>0.500</i>

Indicates item not stocked at time of printing - Please enquire for lead time

E&OE Pricing and all details subject to change without notice - Copyright Miniature Bearings Australia Pty Ltd

MBA Size Listings are a guide to sizes only and must not be solely relied on for critical design information.

Pulleys - Timing - 1.000mm Pitch - Suits 6mm Belts

Part Number	Teeth (No.)	Suit Belt Width mm	Bore (d) mm	Material	Locking Type	Type (See Diagram)	Pitch Diameter (PD) mm	Flange Diameter (FD) mm	Overall Length (OL) mm	Hub Diameter (HD) mm
		<i>inches</i>	<i>inches</i>				<i>inches</i>	<i>inches</i>	<i>inches</i>	<i>inches</i>
# P-1MM-028-060FF-AL-SET-03.000	28	6	3	Aluminium Alloy	Set Screw M2	1	8.91	12.7	14.2	12.7
		<i>0.236</i>	<i>0.118</i>				<i>0.351</i>	<i>0.500</i>	<i>0.559</i>	<i>0.500</i>
# P-1MM-028-060FF-AL-SET-04.000	28	6	4	Aluminium Alloy	Set Screw M2	1	8.91	12.7	14.2	12.7
		<i>0.236</i>	<i>0.157</i>				<i>0.351</i>	<i>0.500</i>	<i>0.559</i>	<i>0.500</i>
# P-1MM-030-060FF-AL-SET-03.000	30	6	3	Aluminium Alloy	Set Screw M2	1	9.55	12.7	14.2	12.7
		<i>0.236</i>	<i>0.118</i>				<i>0.376</i>	<i>0.500</i>	<i>0.559</i>	<i>0.500</i>
# P-1MM-030-060FF-AL-SET-04.000	30	6	4	Aluminium Alloy	Set Screw M2	1	9.55	12.7	14.2	12.7
		<i>0.236</i>	<i>0.157</i>				<i>0.376</i>	<i>0.500</i>	<i>0.559</i>	<i>0.500</i>
# P-1MM-035-060FF-AL-SET-03.000	35	6	3	Aluminium Alloy	Set Screw M2	1	11.14	13.5	14.2	13.5
		<i>0.236</i>	<i>0.118</i>				<i>0.439</i>	<i>0.531</i>	<i>0.559</i>	<i>0.531</i>
# P-1MM-035-060FF-AL-SET-04.000	35	6	4	Aluminium Alloy	Set Screw M2	1	11.14	13.5	14.2	13.5
		<i>0.236</i>	<i>0.157</i>				<i>0.439</i>	<i>0.531</i>	<i>0.559</i>	<i>0.531</i>
# P-1MM-040-060FF-AL-SET-03.000	40	6	3	Aluminium Alloy	Set Screw M2	1	12.73	14.7	14.2	14.7
		<i>0.236</i>	<i>0.118</i>				<i>0.501</i>	<i>0.579</i>	<i>0.559</i>	<i>0.579</i>
# P-1MM-040-060FF-AL-SET-04.000	40	6	4	Aluminium Alloy	Set Screw M2	1	12.73	14.7	14.2	14.7
		<i>0.236</i>	<i>0.157</i>				<i>0.501</i>	<i>0.579</i>	<i>0.559</i>	<i>0.579</i>

Indicates item not stocked at time of printing - Please enquire for lead time

E&OE Pricing and all details subject to change without notice - Copyright Miniature Bearings Australia Pty Ltd

MBA Size Listings are a guide to sizes only and must not be solely relied on for critical design information.

Pulleys - Timing - 1.000mm Pitch - Suits 6mm Belts

Part Number	Teeth (No.)	Suit Belt Width mm	Bore (d) mm	Material	Locking Type	Type (See Diagram)	Pitch Diameter (PD) mm	Flange Diameter (FD) mm	Overall Length (OL) mm	Hub Diameter (HD) mm
		<i>inches</i>	<i>inches</i>				<i>inches</i>	<i>inches</i>	<i>inches</i>	<i>inches</i>
# P-1MM-045-060FF-AL-SET-03.000	45	6	3	Aluminium Alloy	Set Screw M2	1	14.32	17.4	14.2	17.4
		<i>0.236</i>	<i>0.118</i>				<i>0.564</i>	<i>0.685</i>	<i>0.559</i>	<i>0.685</i>
# P-1MM-045-060FF-AL-SET-04.000	45	6	4	Aluminium Alloy	Set Screw M2	1	14.32	17.4	14.2	17.4
		<i>0.236</i>	<i>0.157</i>				<i>0.564</i>	<i>0.685</i>	<i>0.559</i>	<i>0.685</i>
# P-1MM-050-060FF-AL-SET-04.000	50	6	4	Aluminium Alloy	Set Screw M2	2	15.92	20.7	15.7	9.5
		<i>0.236</i>	<i>0.157</i>				<i>0.627</i>	<i>0.815</i>	<i>0.618</i>	<i>0.374</i>
# P-1MM-050-060P-AL-SET-04.000	50	6	4	Aluminium Alloy	Set Screw M2	3	15.92	None	15.7	9.5
		<i>0.236</i>	<i>0.157</i>				<i>0.627</i>		<i>0.618</i>	<i>0.374</i>
# P-1MM-055-060FF-AL-SET-04.000	55	6	4	Aluminium Alloy	Set Screw M2	2	17.51	20.7	15.7	9.5
		<i>0.236</i>	<i>0.157</i>				<i>0.689</i>	<i>0.815</i>	<i>0.618</i>	<i>0.374</i>
# P-1MM-055-060P-AL-SET-04.000	55	6	4	Aluminium Alloy	Set Screw M2	3	17.51	None	15.7	9.5
		<i>0.236</i>	<i>0.157</i>				<i>0.689</i>		<i>0.618</i>	<i>0.374</i>
# P-1MM-060-060P-AL-SET-05.000	60	6	5	Aluminium Alloy	Set Screw M2.5	3	19.1	None	15.7	13
		<i>0.236</i>	<i>0.197</i>				<i>0.752</i>		<i>0.618</i>	<i>0.512</i>
# P-1MM-060-060FF-AL-SET-05.000	60	6	5	Aluminium Alloy	Set Screw M2.5	2	19.1	24	15.7	13
		<i>0.236</i>	<i>0.197</i>				<i>0.752</i>	<i>0.945</i>	<i>0.618</i>	<i>0.512</i>

Indicates item not stocked at time of printing - Please enquire for lead time

E&OE Pricing and all details subject to change without notice - Copyright Miniature Bearings Australia Pty Ltd

MBA Size Listings are a guide to sizes only and must not be solely relied on for critical design information.

Pulleys - Timing - 1.000mm Pitch - Suits 6mm Belts

Part Number	Teeth (No.)	Suit Belt Width mm	Bore (d) mm	Material	Locking Type	Type (See Diagram)	Pitch Diameter (PD) mm	Flange Diameter (FD) mm	Overall Length (OL) mm	Hub Diameter (HD) mm
		<i>inches</i>	<i>inches</i>				<i>inches</i>	<i>inches</i>	<i>inches</i>	<i>inches</i>
# P-1MM-065-060FF-AL-SET-05.000	65	6	5	Aluminium Alloy	Set Screw M2.5	2	20.69	25.4	15.7	13
		<i>0.236</i>	<i>0.197</i>				<i>0.815</i>	<i>1.000</i>	<i>0.618</i>	<i>0.512</i>
# P-1MM-065-060P-AL-SET-05.000	65	6	5	Aluminium Alloy	Set Screw M2.5	3	20.69	None	15.7	13
		<i>0.236</i>	<i>0.197</i>				<i>0.815</i>		<i>0.618</i>	<i>0.512</i>
# P-1MM-070-060FF-AL-SET-05.000	70	6	5	Aluminium Alloy	Set Screw M2.5	2	22.28	25.4	15.7	13
		<i>0.236</i>	<i>0.197</i>				<i>0.877</i>	<i>1.000</i>	<i>0.618</i>	<i>0.512</i>
# P-1MM-070-060P-AL-SET-05.000	70	6	5	Aluminium Alloy	Set Screw M2.5	3	22.28	None	15.7	13
		<i>0.236</i>	<i>0.197</i>				<i>0.877</i>		<i>0.618</i>	<i>0.512</i>
# P-1MM-075-060P-AL-SET-05.000	75	6	5	Aluminium Alloy	Set Screw M2.5	3	23.87	None	15.7	14
		<i>0.236</i>	<i>0.197</i>				<i>0.940</i>		<i>0.618</i>	<i>0.551</i>
# P-1MM-075-060FF-AL-SET-05.000	75	6	5	Aluminium Alloy	Set Screw M2.5	2	23.87	26	15.7	14
		<i>0.236</i>	<i>0.197</i>				<i>0.940</i>	<i>1.024</i>	<i>0.618</i>	<i>0.551</i>

Indicates item not stocked at time of printing - Please enquire for lead time

E&OE Pricing and all details subject to change without notice - Copyright Miniature Bearings Australia Pty Ltd

MBA Size Listings are a guide to sizes only and must not be solely relied on for critical design information.



DISTRIBUTED BY

Ask us to put your name and address here

<http://www.minibearings.com.au/product>

Ph +61 7 3245 7977

Fax +61 7 3245 1017

Catalogue requests to catalogues@minibearings.com.au

