

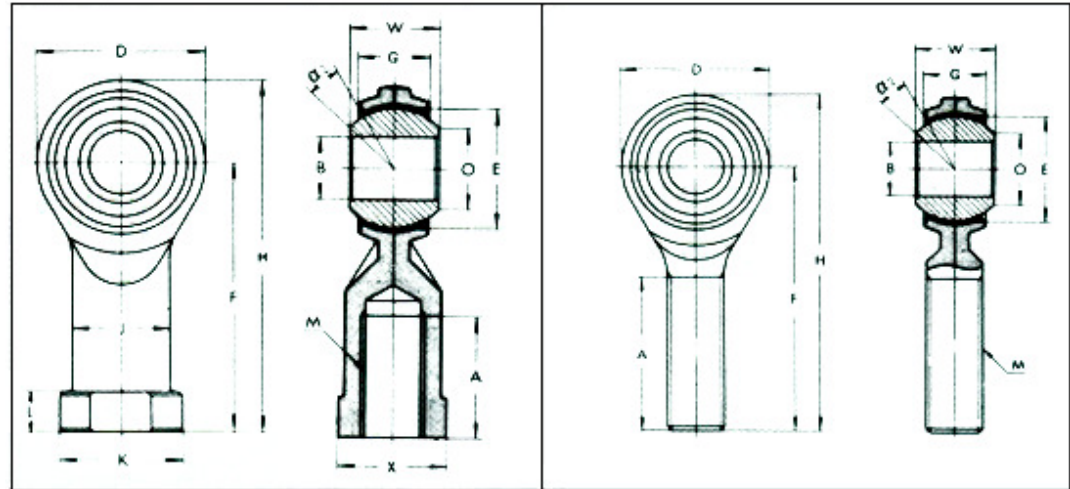


# MBA

## Rod Ends - Steel - PTFE Lined

Imperial and Metric. Tight fit (Minimal ball clearance) / Carbon steel and Stainless Steel.

Dimensions not shown are available on request.



**FEMALE**

**MALE**

## Rod Ends - Steel - PTFE Lined

| Part Number | Eye Size (B) mm<br><i>inches</i> | Thread Size / Type mm<br><i>inches</i> | Widths (G/W/X/K) mm<br><i>inches</i> | Housing Dia. (D) mm<br><i>inches</i> | Height (H) mm<br><i>inches</i> | Centre Height (F) mm<br><i>inches</i> | Ball / Body / Seat                                 | Thread Depth (A) mm<br><i>inches</i> | Grease Nipple |
|-------------|----------------------------------|--|--------------------------------------|--------------------------------------|--------------------------------|---------------------------------------|--|--------------------------------------|---------------|
| # SME3.45   | 3.00                             | M3 x 0.50 Male Right Hand              | 4.50 / 6.00 / - / -                  | 12.00                                | 33.00                          | 27.00                                 | Stainless Steel / Chrome Steel / Uniflon®          | 15.00                                | No            |
|             | <i>0.118</i>                     |  |                                      | <i>0.472</i>                         | <i>1.299</i>                   | <i>1.063</i>                          |  | <i>0.591</i>                         |               |
| # SME.00.03 | 3.00                             | M3 x 0.50 Male Right Hand              | 4.50 / 6.00 / - / -                  | 12.00                                | 33.00                          | 27.00                                 | High Carbon Chrome Steel / Chrome Steel / Uniflon® | 15.00                                | No            |
|             | <i>0.118</i>                     |  |                                      | <i>0.472</i>                         | <i>1.299</i>                   | <i>1.063</i>                          |  | <i>0.591</i>                         |               |

# Indicates item not stocked at time of printing - Please enquire for lead time  
 E&OE Pricing and all details subject to change without notice - Copyright Miniature Bearings Australia Pty Ltd  
 MBA Size Listings are a guide to sizes only and must not be solely relied on for critical design information.

## Rod Ends - Steel - PTFE Lined

| Part Number         | Eye Size (B) mm<br><i>inches</i> | Thread Size /<br>Type mm<br><i>inches</i> | Widths<br>(G/W/X/K) mm<br><i>inches</i> | Housing Dia.<br>(D) mm<br><i>inches</i> | Height (H) mm<br><i>inches</i> | Centre Height<br>(F) mm<br><i>inches</i> | Ball / Body /<br>Seat                                | Thread Depth<br>(A) mm<br><i>inches</i> | Grease Nipple |
|---------------------|----------------------------------|---|---|---|--------------------------------|--|--|---|---------------|
| # REF-03.00-R-T     | 3.00                             | M3 x 0.50<br>Female Right<br>Hand         | 4.50 / 6.00 /<br>5.50 / 6.50            | 12.00                                   | 27.00                          | 21.00                                    | SUJ2 Chrome<br>Steel / S35C<br>Steel / PTFE<br>Lined | 10.00                                   | No            |
|                     | <i>0.118</i>                     |   |   | <i>0.472</i>                            | <i>1.063</i>                   | <i>0.827</i>                             |  | <i>0.394</i>                            |               |
| # REF-03.00-R-T-303 | 3.00                             | M3 x 0.50<br>Female Right<br>Hand         | 4.50 / 6.00 /<br>5.50 / 6.50            | 12.00                                   | 27.00                          | 21.00                                    | 420 Stainless /<br>303 Stainless /<br>303 Stainless  | 10.00                                   | No            |
|                     | <i>0.118</i>                     |   |   | <i>0.472</i>                            | <i>1.063</i>                   | <i>0.827</i>                             |  | <i>0.394</i>                            |               |
| # REM-03.00-L-T     | 3.00                             | M3 x 0.50 Male<br>Left Hand               | 5.00 / 6.00 / - / -                     | 12.00                                   | 33.00                          | 27.00                                    | SUJ2 Chrome<br>Steel / S35C<br>Steel / PTFE<br>Lined | 15.00                                   |               |
|                     | <i>0.118</i>                     |   |   | <i>0.472</i>                            | <i>1.299</i>                   | <i>1.063</i>                             |  | <i>0.591</i>                            |               |
| # REM-03.00-R-T     | 3.00                             | M3 x 0.50 Male<br>Right Hand              | 5.00 / 6.00 / - / -                     | 12.00                                   | 33.00                          | 27.00                                    | SUJ2 Chrome<br>Steel / S35C<br>Steel / PTFE<br>Lined | 15.00                                   |               |
|                     | <i>0.118</i>                     |   |   | <i>0.472</i>                            | <i>1.299</i>                   | <i>1.063</i>                             |  | <i>0.591</i>                            |               |
| # REF-03.00-L-T     | 3.00                             | M3 x 0.50<br>Female Left<br>Hand          | 5.00 / 6.00 /<br>7.00 / 8.00            | 12.00                                   | 27.00                          | 21.00                                    | SUJ2 Chrome<br>Steel / S35C<br>Steel / PTFE<br>Lined | 10.00                                   |               |
|                     | <i>0.118</i>                     |   |   | <i>0.472</i>                            | <i>1.063</i>                   | <i>0.827</i>                             |  | <i>0.394</i>                            |               |
| # REF-04.83-L-T     | 4.83                             | 10-32 UNF<br>Female Left<br>Hand          | 6.35 / 7.92 /<br>7.92 / 10.31           | 15.88                                   | 34.93                          | 26.97                                    | SUJ2 Chrome<br>Steel / S35C<br>Steel / PTFE<br>Lined | 14.27                                   |               |
|                     | <i>0.190</i>                     |   |   | <i>0.625</i>                            | <i>1.375</i>                   | <i>1.062</i>                             |  | <i>0.562</i>                            |               |

# Indicates item not stocked at time of printing - Please enquire for lead time

E&OE Pricing and all details subject to change without notice - Copyright Miniature Bearings Australia Pty Ltd

MBA Size Listings are a guide to sizes only and must not be solely relied on for critical design information.

## Rod Ends - Steel - PTFE Lined

| Part Number     | Eye Size (B) mm<br><i>inches</i> | Thread Size /<br>Type mm<br><i>inches</i> | Widths<br>(G/W/X/K) mm<br><i>inches</i> | Housing Dia.<br>(D) mm<br><i>inches</i> | Height (H) mm<br><i>inches</i> | Centre Height<br>(F) mm<br><i>inches</i> | Ball / Body /<br>Seat  | Thread Depth<br>(A) mm<br><i>inches</i> | Grease Nipple |
|-----------------|----------------------------------|---|---|---|--------------------------------|--|--|---|---------------|
| # REF-04.83-R-T | 4.83<br><i>0.190</i>             | 10-32 UNF<br>Female Right<br>Hand         | 6.35 / 7.92 /<br>7.92 / 10.31           | 15.88<br><i>0.625</i>                   | 34.93<br><i>1.375</i>          | 26.97<br><i>1.062</i>                    | SUJ2 Chrome<br>Steel / S35C<br>Steel / PTFE<br>Lined                     | 14.27<br><i>0.562</i>                   |               |
| # REM-04.83-L-T | 4.83<br><i>0.190</i>             | 10-32 UNF Male<br>Left Hand               | 6.35 / 7.92 / - / -                     | 15.88<br><i>0.625</i>                   | 39.70<br><i>1.563</i>          | 31.75<br><i>1.250</i>                    | SUJ2 Chrome<br>Steel / S35C<br>Steel / PTFE<br>Lined                     | 19.05<br><i>0.750</i>                   |               |
| # REM-04.83-R-T | 4.83<br><i>0.190</i>             | 10-32 UNF Male<br>Right Hand              | 6.35 / 7.92 / - / -                     | 15.88<br><i>0.625</i>                   | 39.70<br><i>1.563</i>          | 31.75<br><i>1.250</i>                    | SUJ2 Chrome<br>Steel / S35C<br>Steel / PTFE<br>Lined                     | 19.05<br><i>0.750</i>                   |               |
| # SFE.00.05     | 5.00<br><i>0.197</i>             | M5 x 0.80<br>Female Right<br>Hand         | 6.00 / 8.00 /<br>8.00 / 9.50            | 16.00<br><i>0.630</i>                   | 35.00<br><i>1.378</i>          | 27.00<br><i>1.063</i>                    | High Carbon<br>Chrome Steel /<br>Chrome Steel /<br>Uniflon®              | 14.00<br><i>0.551</i>                   | No            |
| # SFE5.45       | 5.00<br><i>0.197</i>             | M5 x 0.80<br>Female Right<br>Hand         | 6.00 / 8.00 /<br>8.00 / 9.50            | 16.00<br><i>0.630</i>                   | 35.00<br><i>1.378</i>          | 27.00<br><i>1.063</i>                    | Stainless Steel /<br>Chrome Steel /<br>Uniflon®                          | 14.00<br><i>0.551</i>                   | No            |
| # BEF-05/RH-SS  | 5.00<br><i>0.197</i>             | M5 Female<br>Right Hand                   | 6.00 / 8.00 /<br>9.00 / 11.00           | 18.00<br><i>0.709</i>                   | -                              | 27.00<br><i>1.063</i>                    | Stainless Steel<br>1.4412 /<br>Stainless Steel<br>1.4301 / PTFE<br>Lined | 10.00<br><i>0.394</i>                   | No            |

# Indicates item not stocked at time of printing - Please enquire for lead time

E&OE Pricing and all details subject to change without notice - Copyright Miniature Bearings Australia Pty Ltd

MBA Size Listings are a guide to sizes only and must not be solely relied on for critical design information.

## Rod Ends - Steel - PTFE Lined

| Part Number    | Eye Size (B) mm<br><i>inches</i> | Thread Size /<br>Type mm<br><i>inches</i> | Widths<br>(G/W/X/K) mm<br><i>inches</i> | Housing Dia.<br>(D) mm<br><i>inches</i> | Height (H) mm<br><i>inches</i> | Centre Height<br>(F) mm<br><i>inches</i> | Ball / Body /<br>Seat  | Thread Depth<br>(A) mm<br><i>inches</i> | Grease Nipple |
|----------------|----------------------------------|---|---|---|--------------------------------|--|--|---|---------------|
| # SME.00.05    | 5.00                             | M5 x 0.80 Male<br>Right Hand              | 6.00 / 8.00 / - / -                     | 16.00                                   | 41.00                          | 33.00                                    | High Carbon<br>Chrome Steel /<br>Chrome Steel /<br>Uniflon®              | 20.00                                   | No            |
|                | <i>0.197</i>                     |   |   | <i>0.630</i>                            | <i>1.614</i>                   | <i>1.299</i>                             |  | <i>0.787</i>                            |               |
| # BEM-05/RH-SS | 5.00                             | M5 Male Right<br>Hand                     | 6.00 / 8.00 / - / -                     | 18.00                                   | -                              | 33.00                                    | Stainless Steel<br>1.4412 /<br>Stainless Steel<br>1.4301 / PTFE<br>Lined | 20.00                                   | No            |
|                | <i>0.197</i>                     |   |   | <i>0.709</i>                            |                                | <i>1.299</i>                             |  | <i>0.787</i>                            |               |
| # BEF-05/RH    | 5.00                             | M5 Female<br>Right Hand                   | 6.00 / 8.00 /<br>9.00 / 11.00           | 18.00                                   | -                              | 27.00                                    | SUJ2 Chrome<br>Steel / S35C<br>Steel / PTFE<br>Lined                     | 10.00                                   | No            |
|                | <i>0.197</i>                     |   |   | <i>0.709</i>                            |                                | <i>1.063</i>                             |  | <i>0.394</i>                            |               |
| # BEM-05/RH    | 5.00                             | M5 Male Right<br>Hand                     | 6.00 / 8.00 / - / -                     | 18.00                                   | -                              | 33.00                                    | SUJ2 Chrome<br>Steel / S35C<br>Steel / PTFE<br>Lined                     | 20.00                                   | No            |
|                | <i>0.197</i>                     |   |   | <i>0.709</i>                            |                                | <i>1.299</i>                             |  | <i>0.787</i>                            |               |
| # BEF-05/LH    | 5.00                             | M5 Female Left<br>Hand                    | 6.00 / 8.00 /<br>9.00 / 11.00           | 18.00                                   | -                              | 27.00                                    | SUJ2 Chrome<br>Steel / S35C<br>Steel / PTFE<br>Lined                     | 10.00                                   | No            |
|                | <i>0.197</i>                     |   |   | <i>0.709</i>                            |                                | <i>1.063</i>                             |  | <i>0.394</i>                            |               |
| # BEM-05/LH-SS | 5.00                             | M5 Male Left<br>Hand                      | 6.00 / 8.00 / - / -                     | 18.00                                   | -                              | 33.00                                    | Stainless Steel<br>1.4412 /<br>Stainless Steel<br>1.4301 / PTFE<br>Lined | 20.00                                   | No            |
|                | <i>0.197</i>                     |   |   | <i>0.709</i>                            |                                | <i>1.299</i>                             |  | <i>0.787</i>                            |               |

# Indicates item not stocked at time of printing - Please enquire for lead time

E&OE Pricing and all details subject to change without notice - Copyright Miniature Bearings Australia Pty Ltd

MBA Size Listings are a guide to sizes only and must not be solely relied on for critical design information.

## Rod Ends - Steel - PTFE Lined

| Part Number     | Eye Size (B) mm<br><i>inches</i> | Thread Size /<br>Type mm<br><i>inches</i> | Widths<br>(G/W/X/K) mm<br><i>inches</i> | Housing Dia.<br>(D) mm<br><i>inches</i> | Height (H) mm<br><i>inches</i> | Centre Height<br>(F) mm<br><i>inches</i> | Ball / Body /<br>Seat  | Thread Depth<br>(A) mm<br><i>inches</i> | Grease Nipple |
|-----------------|----------------------------------|---|---|---|--------------------------------|--|--|---|---------------|
| # SME5.45       | 5.00                             | M5 x 0.80 Male<br>Right Hand              | 6.00 / 8.00 / - / -                     | 16.00                                   | 41.00                          | 33.00                                    | Stainless Steel /<br>Chrome Steel /<br>Uniflon®                          | 20.00                                   | No            |
|                 | <i>0.197</i>                     |   |   | <i>0.630</i>                            | <i>1.614</i>                   | <i>1.299</i>                             |  | <i>0.787</i>                            |               |
| # BEM-05/LH     | 5.00                             | M5 Male Left<br>Hand                      | 6.00 / 8.00 / - / -                     | 18.00                                   | -                              | 33.00                                    | SUJ2 Chrome<br>Steel / S35C<br>Steel / PTFE<br>Lined                     | 20.00                                   | No            |
|                 | <i>0.197</i>                     |   |   | <i>0.709</i>                            |                                | <i>1.299</i>                             |  | <i>0.787</i>                            |               |
| # BEF-05/LH-SS  | 5.00                             | M5 Female Left<br>Hand                    | 6.00 / 8.00 /<br>9.00 / 11.00           | 18.00                                   | -                              | 27.00                                    | Stainless Steel<br>1.4412 /<br>Stainless Steel<br>1.4301 / PTFE<br>Lined | 10.00                                   | No            |
|                 | <i>0.197</i>                     |   |   | <i>0.709</i>                            |                                | <i>1.063</i>                             |  | <i>0.394</i>                            |               |
| REF-05.00-R-T   | 5.00                             | M5 x 0.80<br>Female Right<br>Hand         | 7.00 / 8.00 /<br>9.00 / 12.00           | 16.00                                   | 35.00                          | 27.00                                    | SUJ2 Chrome<br>Steel / S35C<br>Steel / PTFE<br>Lined                     | 14.00                                   |               |
|                 | <i>0.197</i>                     |   |   | <i>0.630</i>                            | <i>1.378</i>                   | <i>1.063</i>                             |  | <i>0.551</i>                            |               |
| REM-05.00-R-T   | 5.00                             | M5 x 0.80 Male<br>Right Hand              | 7.00 / 8.00 / - / -                     | 16.00                                   | 41.00                          | 33.00                                    | SUJ2 Chrome<br>Steel / S35C<br>Steel / PTFE<br>Lined                     | 20.00                                   |               |
|                 | <i>0.197</i>                     |   |   | <i>0.630</i>                            | <i>1.614</i>                   | <i>1.299</i>                             |  | <i>0.787</i>                            |               |
| # REF-05.00-L-T | 5.00                             | M5 x 0.80<br>Female Left<br>Hand          | 7.00 / 8.00 /<br>9.00 / 12.00           | 16.00                                   | 35.00                          | 27.00                                    | SUJ2 Chrome<br>Steel / S35C<br>Steel / PTFE<br>Lined                     | 14.00                                   |               |
|                 | <i>0.197</i>                     |   |   | <i>0.630</i>                            | <i>1.378</i>                   | <i>1.063</i>                             |  | <i>0.551</i>                            |               |

# Indicates item not stocked at time of printing - Please enquire for lead time

E&OE Pricing and all details subject to change without notice - Copyright Miniature Bearings Australia Pty Ltd

MBA Size Listings are a guide to sizes only and must not be solely relied on for critical design information.

## Rod Ends - Steel - PTFE Lined

| Part Number     | Eye Size (B) mm<br><i>inches</i> | Thread Size /<br>Type mm<br><i>inches</i> | Widths<br>(G/W/X/K) mm<br><i>inches</i> | Housing Dia.<br>(D) mm<br><i>inches</i> | Height (H) mm<br><i>inches</i> | Centre Height<br>(F) mm<br><i>inches</i> | Ball / Body /<br>Seat  | Thread Depth<br>(A) mm<br><i>inches</i> | Grease Nipple |
|-----------------|----------------------------------|---|---|---|--------------------------------|--|--|---|---------------|
| # REM-05.00-L-T | 5.00                             | M5 x 0.80 Male<br>Left Hand               | 7.00 / 8.00 / - / -                     | 16.00                                   | 41.00                          | 33.00                                    | SUJ2 Chrome<br>Steel / S35C<br>Steel / PTFE<br>Lined                     | 20.00                                   |               |
|                 | <i>0.197</i>                     |   |   | <i>0.630</i>                            | <i>1.614</i>                   | <i>1.299</i>                             |  | <i>0.787</i>                            |               |
| # EF-06/LH      | 6.00                             | M6 Female Left<br>Hand                    | 4.00 / 6.00 /<br>9.00 / 10.00           | 20.00                                   | -                              | 30.00                                    | SUJ2 Chrome<br>Steel / S35C<br>Steel / PTFE<br>Lined                     | 12.00                                   | No            |
|                 | <i>0.236</i>                     |   |   | <i>0.787</i>                            |                                | <i>1.181</i>                             |  | <i>0.472</i>                            |               |
| # EM-06/LH      | 6.00                             | M6 Male Left<br>Hand                      | 4.00 / 6.00 / - / -                     | 20.00                                   | -                              | 36.00                                    | SUJ2 Chrome<br>Steel / S35C<br>Steel / PTFE<br>Lined                     | 22.00                                   | No            |
|                 | <i>0.236</i>                     |   |   | <i>0.787</i>                            |                                | <i>1.417</i>                             |  | <i>0.866</i>                            |               |
| # EF-06/RH      | 6.00                             | M6 Female<br>Right Hand                   | 4.00 / 6.00 /<br>9.00 / 10.00           | 20.00                                   | -                              | 30.00                                    | SUJ2 Chrome<br>Steel / S35C<br>Steel / PTFE<br>Lined                     | 12.00                                   | No            |
|                 | <i>0.236</i>                     |   |   | <i>0.787</i>                            |                                | <i>1.181</i>                             |  | <i>0.472</i>                            |               |
| # EM-06/RH      | 6.00                             | M6 Male Right<br>Hand                     | 4.00 / 6.00 / - / -                     | 20.00                                   | -                              | 36.00                                    | SUJ2 Chrome<br>Steel / S35C<br>Steel / PTFE<br>Lined                     | 22.00                                   | No            |
|                 | <i>0.236</i>                     |   |   | <i>0.787</i>                            |                                | <i>1.417</i>                             |  | <i>0.866</i>                            |               |
| # BEF-06/RH-SS  | 6.00                             | M6 Female<br>Right Hand                   | 6.75 / 9.00 /<br>11.00 / 13.00          | 20.00                                   | -                              | 30.00                                    | Stainless Steel<br>1.4412 /<br>Stainless Steel<br>1.4301 / PTFE<br>Lined | 12.00                                   | No            |
|                 | <i>0.236</i>                     |   |   | <i>0.787</i>                            |                                | <i>1.181</i>                             |  | <i>0.472</i>                            |               |

# Indicates item not stocked at time of printing - Please enquire for lead time

E&OE Pricing and all details subject to change without notice - Copyright Miniature Bearings Australia Pty Ltd

MBA Size Listings are a guide to sizes only and must not be solely relied on for critical design information.

## Rod Ends - Steel - PTFE Lined

| Part Number    | Eye Size (B) mm<br><i>inches</i> | Thread Size /<br>Type mm<br><i>inches</i>          | Widths<br>(G/W/X/K) mm<br><i>inches</i>         | Housing Dia.<br>(D) mm<br><i>inches</i> | Height (H) mm<br><i>inches</i> | Centre Height<br>(F) mm<br><i>inches</i> | Ball / Body /<br>Seat  | Thread Depth<br>(A) mm<br><i>inches</i> | Grease Nipple |
|----------------|----------------------------------|--|---|---|--------------------------------|--|--|---|---------------|
| # SME6.45      | 6.00<br><i>0.236</i>             | M6 x 1.00 Male<br>Right Hand<br><i>inches</i>      | 6.75 / 9.00 / - / -<br><i>inches</i>            | 18.00<br><i>0.709</i>                   | 45.00<br><i>1.772</i>          | 36.00<br><i>1.417</i>                    | Stainless Steel /<br>Chrome Steel /<br>Uniflon®                          | 22.00<br><i>0.866</i>                   | No            |
| # SME.00.06    | 6.00<br><i>0.236</i>             | M6 x 1.00 Male<br>Right Hand<br><i>inches</i>      | 6.75 / 9.00 / - / -<br><i>inches</i>            | 18.00<br><i>0.709</i>                   | 45.00<br><i>1.772</i>          | 36.00<br><i>1.417</i>                    | High Carbon<br>Chrome Steel /<br>Chrome Steel /<br>Uniflon®              | 22.00<br><i>0.866</i>                   | No            |
| # SFE6.45      | 6.00<br><i>0.236</i>             | M6 x 1.00<br>Female Right<br>Hand<br><i>inches</i> | 6.75 / 9.00 /<br>10.00 / 12.00<br><i>inches</i> | 18.00<br><i>0.709</i>                   | 39.00<br><i>1.535</i>          | 30.00<br><i>1.181</i>                    | Stainless Steel /<br>Chrome Steel /<br>Uniflon®                          | 14.00<br><i>0.551</i>                   | No            |
| # BEM-06/RH-SS | 6.00<br><i>0.236</i>             | M6 Male Right<br>Hand<br><i>inches</i>             | 6.75 / 9.00 / - / -<br><i>inches</i>            | 20.00<br><i>0.787</i>                   | -                              | 36.00<br><i>1.417</i>                    | Stainless Steel<br>1.4412 /<br>Stainless Steel<br>1.4301 / PTFE<br>Lined | 22.00<br><i>0.866</i>                   | No            |
| # BEM-06/LH-SS | 6.00<br><i>0.236</i>             | M6 Male Left<br>Hand<br><i>inches</i>              | 6.75 / 9.00 / - / -<br><i>inches</i>            | 20.00<br><i>0.787</i>                   | -                              | 36.00<br><i>1.417</i>                    | Stainless Steel<br>1.4412 /<br>Stainless Steel<br>1.4301 / PTFE<br>Lined | 22.00<br><i>0.866</i>                   | No            |
| # BEF-06/RH    | 6.00<br><i>0.236</i>             | M6 Female<br>Right Hand<br><i>inches</i>           | 6.75 / 9.00 /<br>11.00 / 13.00<br><i>inches</i> | 20.00<br><i>0.787</i>                   | -                              | 30.00<br><i>1.181</i>                    | SUJ2 Chrome<br>Steel / S35C<br>Steel / PTFE<br>Lined                     | 12.00<br><i>0.472</i>                   | No            |

# Indicates item not stocked at time of printing - Please enquire for lead time

E&OE Pricing and all details subject to change without notice - Copyright Miniature Bearings Australia Pty Ltd

MBA Size Listings are a guide to sizes only and must not be solely relied on for critical design information.

## Rod Ends - Steel - PTFE Lined

| Part Number     | Eye Size (B) mm<br><i>inches</i> | Thread Size /<br>Type mm<br><i>inches</i> | Widths<br>(G/W/X/K) mm<br><i>inches</i> | Housing Dia.<br>(D) mm<br><i>inches</i> | Height (H) mm<br><i>inches</i> | Centre Height<br>(F) mm<br><i>inches</i> | Ball / Body /<br>Seat  | Thread Depth<br>(A) mm<br><i>inches</i> | Grease Nipple |
|-----------------|----------------------------------|---|---|---|--------------------------------|--|--|---|---------------|
| # BEM-06/LH     | 6.00                             | M6 Male Left<br>Hand                      | 6.75 / 9.00 / - / -                     | 20.00                                   | -                              | 36.00                                    | SUJ2 Chrome<br>Steel / S35C<br>Steel / PTFE<br>Lined                     | 22.00                                   | No            |
|                 | <i>0.236</i>                     |   |   | <i>0.787</i>                            |                                | <i>1.417</i>                             |  | <i>0.866</i>                            |               |
| # BEF-06/LH     | 6.00                             | M6 Female Left<br>Hand                    | 6.75 / 9.00 /<br>11.00 / 13.00          | 20.00                                   | -                              | 30.00                                    | SUJ2 Chrome<br>Steel / S35C<br>Steel / PTFE<br>Lined                     | 12.00                                   | No            |
|                 | <i>0.236</i>                     |   |   | <i>0.787</i>                            |                                | <i>1.181</i>                             |  | <i>0.472</i>                            |               |
| # SFE.00.06     | 6.00                             | M6 x 1.00<br>Female Right<br>Hand         | 6.75 / 9.00 /<br>10.00 / 12.00          | 18.00                                   | 39.00                          | 30.00                                    | High Carbon<br>Chrome Steel /<br>Chrome Steel /<br>Uniflon®              | 14.00                                   | No            |
|                 | <i>0.236</i>                     |   |   | <i>0.709</i>                            | <i>1.535</i>                   | <i>1.181</i>                             |  | <i>0.551</i>                            |               |
| # BEM-06/RH     | 6.00                             | M6 Male Right<br>Hand                     | 6.75 / 9.00 / - / -                     | 20.00                                   | -                              | 36.00                                    | SUJ2 Chrome<br>Steel / S35C<br>Steel / PTFE<br>Lined                     | 22.00                                   | No            |
|                 | <i>0.236</i>                     |   |   | <i>0.787</i>                            |                                | <i>1.417</i>                             |  | <i>0.866</i>                            |               |
| # BEF-06/LH-SS  | 6.00                             | M6 Female Left<br>Hand                    | 6.75 / 9.00 /<br>11.00 / 13.00          | 20.00                                   | -                              | 30.00                                    | Stainless Steel<br>1.4412 /<br>Stainless Steel<br>1.4301 / PTFE<br>Lined | 12.00                                   | No            |
|                 | <i>0.236</i>                     |   |   | <i>0.787</i>                            |                                | <i>1.181</i>                             |  | <i>0.472</i>                            |               |
| # REM-06.00-R-T | 6.00                             | M6 x 1.00 Male<br>Right Hand              | 7.00 / 9.00 / - / -                     | 18.00                                   | 45.00                          | 36.00                                    | SUJ2 Chrome<br>Steel / S35C<br>Steel / PTFE<br>Lined                     | 22.00                                   |               |
|                 | <i>0.236</i>                     |   |   | <i>0.709</i>                            | <i>1.772</i>                   | <i>1.417</i>                             |  | <i>0.866</i>                            |               |

# Indicates item not stocked at time of printing - Please enquire for lead time

E&OE Pricing and all details subject to change without notice - Copyright Miniature Bearings Australia Pty Ltd

MBA Size Listings are a guide to sizes only and must not be solely relied on for critical design information.

## Rod Ends - Steel - PTFE Lined

| Part Number     | Eye Size (B) mm<br><i>inches</i> | Thread Size /<br>Type mm<br><i>inches</i> | Widths<br>(G/W/X/K) mm<br><i>inches</i> | Housing Dia.<br>(D) mm<br><i>inches</i> | Height (H) mm<br><i>inches</i> | Centre Height<br>(F) mm<br><i>inches</i> | Ball / Body /<br>Seat                                | Thread Depth<br>(A) mm<br><i>inches</i> | Grease Nipple |
|-----------------|----------------------------------|---|---|---|--------------------------------|--|--|---|---------------|
| # REM-06.00-L-T | 6.00                             | M6 x 1.00 Male<br>Left Hand               | 7.00 / 9.00 / - / -                     | 18.00                                   | 45.00                          | 36.00                                    | SUJ2 Chrome<br>Steel / S35C<br>Steel / PTFE<br>Lined | 22.00                                   |               |
|                 | <i>0.236</i>                     |   |   | <i>0.709</i>                            | <i>1.772</i>                   | <i>1.417</i>                             |  | <i>0.866</i>                            |               |
| # REF-06.00-L-T | 6.00                             | M6 x 1.00<br>Female Left<br>Hand          | 7.00 / 9.00 /<br>11.00 / 13.00          | 18.00                                   | 39.00                          | 30.00                                    | SUJ2 Chrome<br>Steel / S35C<br>Steel / PTFE<br>Lined | 14.00                                   |               |
|                 | <i>0.236</i>                     |   |   | <i>0.709</i>                            | <i>1.535</i>                   | <i>1.181</i>                             |  | <i>0.551</i>                            |               |
| REF-06.00-R-T   | 6.00                             | M6 x 1.00<br>Female Right<br>Hand         | 7.00 / 9.00 /<br>11.00 / 13.00          | 18.00                                   | 39.00                          | 30.00                                    | SUJ2 Chrome<br>Steel / S35C<br>Steel / PTFE<br>Lined | 14.00                                   | No            |
|                 | <i>0.236</i>                     |   |   | <i>0.709</i>                            | <i>1.535</i>                   | <i>1.181</i>                             |  | <i>0.551</i>                            |               |
| # REF-06.35-L-T | 6.35                             | 1/4-28 UNF<br>Female Left<br>Hand         | 7.14 / 9.53 /<br>9.53 / 11.89           | 19.05                                   | 42.85                          | 33.32                                    | SUJ2 Chrome<br>Steel / S35C<br>Steel / PTFE<br>Lined | 19.05                                   |               |
|                 | <i>0.250</i>                     |   |   | <i>0.750</i>                            | <i>1.687</i>                   | <i>1.312</i>                             |  | <i>0.750</i>                            |               |
| # REF-06.35-R-T | 6.35                             | 1/4-28 UNF<br>Female Right<br>Hand        | 7.14 / 9.53 /<br>9.53 / 11.89           | 19.05                                   | 42.85                          | 33.32                                    | SUJ2 Chrome<br>Steel / S35C<br>Steel / PTFE<br>Lined | 19.05                                   |               |
|                 | <i>0.250</i>                     |   |   | <i>0.750</i>                            | <i>1.687</i>                   | <i>1.312</i>                             |  | <i>0.750</i>                            |               |
| # REM-06.35-L-T | 6.35                             | 1/4-28 UNF<br>Male Left Hand              | 7.14 / 9.53 / - / -                     | 19.05                                   | 49.20                          | 39.67                                    | SUJ2 Chrome<br>Steel / S35C<br>Steel / PTFE<br>Lined | 25.40                                   |               |
|                 | <i>0.250</i>                     |   |   | <i>0.750</i>                            | <i>1.937</i>                   | <i>1.562</i>                             |  | <i>1.000</i>                            |               |

# Indicates item not stocked at time of printing - Please enquire for lead time

E&OE Pricing and all details subject to change without notice - Copyright Miniature Bearings Australia Pty Ltd

MBA Size Listings are a guide to sizes only and must not be solely relied on for critical design information.

## Rod Ends - Steel - PTFE Lined

| Part Number     | Eye Size (B) mm<br><i>inches</i> | Thread Size /<br>Type mm<br><i>inches</i> | Widths<br>(G/W/X/K) mm<br><i>inches</i> | Housing Dia.<br>(D) mm<br><i>inches</i> | Height (H) mm<br><i>inches</i> | Centre Height<br>(F) mm<br><i>inches</i> | Ball / Body /<br>Seat                                | Thread Depth<br>(A) mm<br><i>inches</i> | Grease Nipple |
|-----------------|----------------------------------|---|---|---|--------------------------------|--|--|---|---------------|
| # REM-06.35-R-T | 6.35<br><i>0.250</i>             | 1/4-28 UNF<br>Male Right Hand             | 7.14 / 9.53 / - / -                     | 19.05<br><i>0.750</i>                   | 49.20<br><i>1.937</i>          | 39.67<br><i>1.562</i>                    | SUJ2 Chrome<br>Steel / S35C<br>Steel / PTFE<br>Lined | 25.40<br><i>1.000</i>                   |               |
| # REF-07.94-R-T | 7.94<br><i>0.313</i>             | 5/16-24 UNF<br>Female Right<br>Hand       | 8.74 / 11.10 /<br>11.10 / 12.70         | 22.23<br><i>0.875</i>                   | 46.02<br><i>1.812</i>          | 34.93<br><i>1.375</i>                    | SUJ2 Chrome<br>Steel / S35C<br>Steel / PTFE<br>Lined | 19.05<br><i>0.750</i>                   |               |
| # REF-07.94-L-T | 7.94<br><i>0.313</i>             | 5/16-24 UNF<br>Female Left<br>Hand        | 8.74 / 11.10 /<br>11.10 / 12.70         | 22.23<br><i>0.875</i>                   | 46.02<br><i>1.812</i>          | 34.93<br><i>1.375</i>                    | SUJ2 Chrome<br>Steel / S35C<br>Steel / PTFE<br>Lined | 19.05<br><i>0.750</i>                   |               |
| # REM-07.94-R-T | 7.94<br><i>0.313</i>             | 5/16-24 UNF<br>Male Right Hand            | 8.74 / 11.10 / - / -                    | 22.23<br><i>0.875</i>                   | 58.72<br><i>2.312</i>          | 47.63<br><i>1.875</i>                    | SUJ2 Chrome<br>Steel / S35C<br>Steel / PTFE<br>Lined | 31.75<br><i>1.250</i>                   |               |
| # REM-07.94-L-T | 7.94<br><i>0.313</i>             | 5/16-24 UNF<br>Male Left Hand             | 8.74 / 11.10 / - / -                    | 22.23<br><i>0.875</i>                   | 58.72<br><i>2.312</i>          | 47.63<br><i>1.875</i>                    | SUJ2 Chrome<br>Steel / S35C<br>Steel / PTFE<br>Lined | 31.75<br><i>1.250</i>                   |               |
| # EF-08/RH      | 8.00<br><i>0.315</i>             | M8 Female<br>Right Hand                   | 5.00 / 8.00 /<br>11.00 / 13.00          | 23.00<br><i>0.906</i>                   | -                              | 36.00<br><i>1.417</i>                    | SUJ2 Chrome<br>Steel / S35C<br>Steel / PTFE<br>Lined | 16.00<br><i>0.630</i>                   | No            |

# Indicates item not stocked at time of printing - Please enquire for lead time

E&OE Pricing and all details subject to change without notice - Copyright Miniature Bearings Australia Pty Ltd

MBA Size Listings are a guide to sizes only and must not be solely relied on for critical design information.

## Rod Ends - Steel - PTFE Lined

| Part Number     | Eye Size (B) mm<br><i>inches</i> | Thread Size /<br>Type mm<br><i>inches</i> | Widths<br>(G/W/X/K) mm<br><i>inches</i> | Housing Dia.<br>(D) mm<br><i>inches</i> | Height (H) mm<br><i>inches</i> | Centre Height<br>(F) mm<br><i>inches</i> | Ball / Body /<br>Seat  | Thread Depth<br>(A) mm<br><i>inches</i> | Grease Nipple |
|-----------------|----------------------------------|---|---|---|--------------------------------|--|--|---|---------------|
| # EM-08/LH      | 8.00                             | M8 Male Left<br>Hand                      | 5.00 / 8.00 / - / -                     | 23.00                                   | -                              | 42.00                                    | SUJ2 Chrome<br>Steel / S35C<br>Steel / PTFE<br>Lined                     | 25.00                                   | No            |
|                 | <i>0.315</i>                     |   |   | <i>0.906</i>                            |                                | <i>1.654</i>                             |  | <i>0.984</i>                            |               |
| # EM-08/RH      | 8.00                             | M8 Male Right<br>Hand                     | 5.00 / 8.00 / - / -                     | 23.00                                   | -                              | 42.00                                    | SUJ2 Chrome<br>Steel / S35C<br>Steel / PTFE<br>Lined                     | 25.00                                   | No            |
|                 | <i>0.315</i>                     |   |   | <i>0.906</i>                            |                                | <i>1.654</i>                             |  | <i>0.984</i>                            |               |
| # EF-08/LH      | 8.00                             | M8 Female Left<br>Hand                    | 5.00 / 8.00 /<br>11.00 / 13.00          | 23.00                                   | -                              | 36.00                                    | SUJ2 Chrome<br>Steel / S35C<br>Steel / PTFE<br>Lined                     | 16.00                                   | No            |
|                 | <i>0.315</i>                     |   |   | <i>0.906</i>                            |                                | <i>1.417</i>                             |  | <i>0.630</i>                            |               |
| # REF-08.00-L-T | 8.00                             | M8 x 1.25<br>Female Left<br>Hand          | 9.00 / 12.00 /<br>14.00 / 16.00         | 22.00                                   | 47.00                          | 36.00                                    | SUJ2 Chrome<br>Steel / S35C<br>Steel / PTFE<br>Lined                     | 17.00                                   |               |
|                 | <i>0.315</i>                     |   |   | <i>0.866</i>                            | <i>1.850</i>                   | <i>1.417</i>                             |  | <i>0.669</i>                            |               |
| # BEF-08/RH     | 8.00                             | M8 Female<br>Right Hand                   | 9.00 / 12.00 /<br>14.00 / 16.00         | 24.00                                   | -                              | 36.00                                    | SUJ2 Chrome<br>Steel / S35C<br>Steel / PTFE<br>Lined                     | 16.00                                   | No            |
|                 | <i>0.315</i>                     |   |   | <i>0.945</i>                            |                                | <i>1.417</i>                             |  | <i>0.630</i>                            |               |
| # BEF-08/LH-SS  | 8.00                             | M8 Female Left<br>Hand                    | 9.00 / 12.00 /<br>14.00 / 16.00         | 24.00                                   | -                              | 36.00                                    | Stainless Steel<br>1.4412 /<br>Stainless Steel<br>1.4301 / PTFE<br>Lined | 16.00                                   | No            |
|                 | <i>0.315</i>                     |   |   | <i>0.945</i>                            |                                | <i>1.417</i>                             |  | <i>0.630</i>                            |               |

# Indicates item not stocked at time of printing - Please enquire for lead time

E&OE Pricing and all details subject to change without notice - Copyright Miniature Bearings Australia Pty Ltd

MBA Size Listings are a guide to sizes only and must not be solely relied on for critical design information.

## Rod Ends - Steel - PTFE Lined

| Part Number     | Eye Size (B) mm<br><i>inches</i> | Thread Size /<br>Type mm<br><i>inches</i> | Widths<br>(G/W/X/K) mm<br><i>inches</i> | Housing Dia.<br>(D) mm<br><i>inches</i> | Height (H) mm<br><i>inches</i> | Centre Height<br>(F) mm<br><i>inches</i> | Ball / Body /<br>Seat  | Thread Depth<br>(A) mm<br><i>inches</i> | Grease Nipple |
|-----------------|----------------------------------|---|---|---|--------------------------------|--|--|---|---------------|
| # BEF-08/LH     | 8.00                             | M8 Female Left<br>Hand                    | 9.00 / 12.00 /<br>14.00 / 16.00         | 24.00                                   | -                              | 36.00                                    | SUJ2 Chrome<br>Steel / S35C<br>Steel / PTFE<br>Lined                     | 16.00                                   | No            |
|                 | <i>0.315</i>                     |   |   | <i>0.945</i>                            |                                | <i>1.417</i>                             |  | <i>0.630</i>                            |               |
| # SFE.00.08     | 8.00                             | M8 x 1.25<br>Female Right<br>Hand         | 9.00 / 12.00 /<br>13.00 / 16.00         | 22.00                                   | 47.00                          | 36.00                                    | High Carbon<br>Chrome Steel /<br>Chrome Steel /<br>Uniflon®              | 17.00                                   | No            |
|                 | <i>0.315</i>                     |   |   | <i>0.866</i>                            | <i>1.850</i>                   | <i>1.417</i>                             |  | <i>0.669</i>                            |               |
| # BEM-08/LH-SS  | 8.00                             | M8 Male Left<br>Hand                      | 9.00 / 12.00 / - / -                    | 24.00                                   | -                              | 42.00                                    | Stainless Steel<br>1.4412 /<br>Stainless Steel<br>1.4301 / PTFE<br>Lined | 25.00                                   | No            |
|                 | <i>0.315</i>                     |   |   | <i>0.945</i>                            |                                | <i>1.654</i>                             |  | <i>0.984</i>                            |               |
| # BEF-08/RH-SS  | 8.00                             | M8 Female<br>Right Hand                   | 9.00 / 12.00 /<br>14.00 / 16.00         | 24.00                                   | -                              | 36.00                                    | Stainless Steel<br>1.4412 /<br>Stainless Steel<br>1.4301 / PTFE<br>Lined | 16.00                                   | No            |
|                 | <i>0.315</i>                     |   |   | <i>0.945</i>                            |                                | <i>1.417</i>                             |  | <i>0.630</i>                            |               |
| # BEM-08/LH     | 8.00                             | M8 Male Left<br>Hand                      | 9.00 / 12.00 / - / -                    | 24.00                                   | -                              | 42.00                                    | SUJ2 Chrome<br>Steel / S35C<br>Steel / PTFE<br>Lined                     | 25.00                                   | No            |
|                 | <i>0.315</i>                     |   |   | <i>0.945</i>                            |                                | <i>1.654</i>                             |  | <i>0.984</i>                            |               |
| # REF-08.00-R-T | 8.00                             | M8 x 1.25<br>Female Right<br>Hand         | 9.00 / 12.00 /<br>14.00 / 16.00         | 22.00                                   | 47.00                          | 36.00                                    | SUJ2 Chrome<br>Steel / S35C<br>Steel / PTFE<br>Lined                     | 17.00                                   |               |
|                 | <i>0.315</i>                     |   |   | <i>0.866</i>                            | <i>1.850</i>                   | <i>1.417</i>                             |  | <i>0.669</i>                            |               |

# Indicates item not stocked at time of printing - Please enquire for lead time

E&OE Pricing and all details subject to change without notice - Copyright Miniature Bearings Australia Pty Ltd

MBA Size Listings are a guide to sizes only and must not be solely relied on for critical design information.

## Rod Ends - Steel - PTFE Lined

| Part Number     | Eye Size (B) mm<br><i>inches</i> | Thread Size /<br>Type mm<br><i>inches</i> | Widths<br>(G/W/X/K) mm<br><i>inches</i> | Housing Dia.<br>(D) mm<br><i>inches</i> | Height (H) mm<br><i>inches</i> | Centre Height<br>(F) mm<br><i>inches</i> | Ball / Body /<br>Seat                                       | Thread Depth<br>(A) mm<br><i>inches</i> | Grease Nipple |
|-----------------|----------------------------------|---|---|---|--------------------------------|--|---|---|---------------|
| # SME8.45       | 8.00                             | M8 x 1.25 Male<br>Right Hand              | 9.00 / 12.00 / - / -                    | 22.00                                   | 53.00                          | 42.00                                    | Stainless Steel /<br>Chrome Steel /<br>Uniflon®             | 25.00                                   | No            |
|                 | <i>0.315</i>                     |   |   | <i>0.866</i>                            | <i>2.087</i>                   | <i>1.654</i>                             |   | <i>0.984</i>                            |               |
| # BEM-08/RH     | 8.00                             | M8 Male Right<br>Hand                     | 9.00 / 12.00 / - / -                    | 24.00                                   | -                              | 42.00                                    | SUJ2 Chrome<br>Steel / S35C<br>Steel / PTFE<br>Lined        | 25.00                                   | No            |
|                 | <i>0.315</i>                     |   |   | <i>0.945</i>                            |                                | <i>1.654</i>                             |   | <i>0.984</i>                            |               |
| # SME.00.08     | 8.00                             | M8 x 1.25 Male<br>Right Hand              | 9.00 / 12.00 / - / -                    | 22.00                                   | 53.00                          | 42.00                                    | High Carbon<br>Chrome Steel /<br>Chrome Steel /<br>Uniflon® | 25.00                                   | No            |
|                 | <i>0.315</i>                     |   |   | <i>0.866</i>                            | <i>2.087</i>                   | <i>1.654</i>                             |   | <i>0.984</i>                            |               |
| # SFE8.45       | 8.00                             | M8 x 1.25<br>Female Right<br>Hand         | 9.00 / 12.00 /<br>13.00 / 16.00         | 22.00                                   | 47.00                          | 36.00                                    | Stainless Steel /<br>Chrome Steel /<br>Uniflon®             | 17.00                                   | No            |
|                 | <i>0.315</i>                     |   |   | <i>0.866</i>                            | <i>1.850</i>                   | <i>1.417</i>                             |   | <i>0.669</i>                            |               |
| # REM-08.00-L-T | 8.00                             | M8 x 1.25 Male<br>Left Hand               | 9.00 / 12.00 / - / -                    | 22.00                                   | 53.00                          | 42.00                                    | SUJ2 Chrome<br>Steel / S35C<br>Steel / PTFE<br>Lined        | 25.00                                   |               |
|                 | <i>0.315</i>                     |   |   | <i>0.866</i>                            | <i>2.087</i>                   | <i>1.654</i>                             |   | <i>0.984</i>                            |               |
| # REM-08.00-R-T | 8.00                             | M8 x 1.25 Male<br>Right Hand              | 9.00 / 12.00 / - / -                    | 22.00                                   | 53.00                          | 42.00                                    | SUJ2 Chrome<br>Steel / S35C<br>Steel / PTFE<br>Lined        | 25.00                                   |               |
|                 | <i>0.315</i>                     |   |   | <i>0.866</i>                            | <i>2.087</i>                   | <i>1.654</i>                             |   | <i>0.984</i>                            |               |

# Indicates item not stocked at time of printing - Please enquire for lead time

E&OE Pricing and all details subject to change without notice - Copyright Miniature Bearings Australia Pty Ltd

MBA Size Listings are a guide to sizes only and must not be solely relied on for critical design information.

## Rod Ends - Steel - PTFE Lined

| Part Number     | Eye Size (B) mm<br><i>inches</i> | Thread Size /<br>Type mm<br><i>inches</i> | Widths<br>(G/W/X/K) mm<br><i>inches</i> | Housing Dia.<br>(D) mm<br><i>inches</i> | Height (H) mm<br><i>inches</i> | Centre Height<br>(F) mm<br><i>inches</i> | Ball / Body /<br>Seat  | Thread Depth<br>(A) mm<br><i>inches</i> | Grease Nipple |
|-----------------|----------------------------------|---|---|---|--------------------------------|--|--|---|---------------|
| # BEM-08/RH-SS  | 8.00                             | M8 Male Right<br>Hand                     | 9.00 / 12.00 / - / -                    | 24.00                                   | -                              | 42.00                                    | Stainless Steel<br>1.4412 /<br>Stainless Steel<br>1.4301 / PTFE<br>Lined | 25.00                                   | No            |
|                 | <i>0.315</i>                     |   |   | <i>0.945</i>                            |                                | <i>1.654</i>                             |  | <i>0.984</i>                            |               |
| # REM-09.52-L-T | 9.53                             | 3/8-24 UNF<br>Male Left Hand              | 10.31 / 12.70 / -<br>/ -                | 25.40                                   | 61.93                          | 49.23                                    | SUJ2 Chrome<br>Steel / S35C<br>Steel / PTFE<br>Lined                     | 31.75                                   |               |
|                 | <i>0.375</i>                     |   |   | <i>1.000</i>                            | <i>2.438</i>                   | <i>1.938</i>                             |  | <i>1.250</i>                            |               |
| # REF-09.52-L-T | 9.53                             | 3/8-24 UNF<br>Female Left<br>Hand         | 10.31 / 12.70 /<br>14.27 / 17.45        | 25.40                                   | 53.98                          | 41.28                                    | SUJ2 Chrome<br>Steel / S35C<br>Steel / PTFE<br>Lined                     | 23.80                                   |               |
|                 | <i>0.375</i>                     |   |   | <i>1.000</i>                            | <i>2.125</i>                   | <i>1.625</i>                             |  | <i>0.937</i>                            |               |
| # REM-09.52-R-T | 9.53                             | 3/8-24 UNF<br>Male Right Hand             | 10.31 / 12.70 / -<br>/ -                | 25.40                                   | 61.93                          | 49.23                                    | SUJ2 Chrome<br>Steel / S35C<br>Steel / PTFE<br>Lined                     | 31.75                                   |               |
|                 | <i>0.375</i>                     |   |   | <i>1.000</i>                            | <i>2.438</i>                   | <i>1.938</i>                             |  | <i>1.250</i>                            |               |
| # REF-09.52-R-T | 9.53                             | 3/8-24 UNF<br>Female Right<br>Hand        | 10.31 / 12.70 /<br>14.27 / 17.45        | 25.40                                   | 53.98                          | 41.28                                    | SUJ2 Chrome<br>Steel / S35C<br>Steel / PTFE<br>Lined                     | 23.80                                   |               |
|                 | <i>0.375</i>                     |   |   | <i>1.000</i>                            | <i>2.125</i>                   | <i>1.625</i>                             |  | <i>0.937</i>                            |               |
| # EM-10/LH      | 10.00                            | M10 Male Left<br>Hand                     | 6.00 / 9.00 / - / -                     | 28.00                                   | -                              | 48.00                                    | SUJ2 Chrome<br>Steel / S35C<br>Steel / PTFE<br>Lined                     | 29.00                                   | No            |
|                 | <i>0.394</i>                     |   |   | <i>1.102</i>                            |                                | <i>1.890</i>                             |  | <i>1.142</i>                            |               |

# Indicates item not stocked at time of printing - Please enquire for lead time

E&OE Pricing and all details subject to change without notice - Copyright Miniature Bearings Australia Pty Ltd

MBA Size Listings are a guide to sizes only and must not be solely relied on for critical design information.

## Rod Ends - Steel - PTFE Lined

| Part Number | Eye Size (B) mm<br><i>inches</i> | Thread Size /<br>Type mm<br><i>inches</i> | Widths<br>(G/W/X/K) mm<br><i>inches</i>          | Housing Dia.<br>(D) mm<br><i>inches</i> | Height (H) mm<br><i>inches</i> | Centre Height<br>(F) mm<br><i>inches</i> | Ball / Body /<br>Seat                                       | Thread Depth<br>(A) mm<br><i>inches</i> | Grease Nipple |
|-------------|----------------------------------|---|--|---|--------------------------------|--|---|---|---------------|
| # EM-10/RH  | 10.00<br><i>0.394</i>            | M10 Male Right<br>Hand                    | 6.00 / 9.00 / - / -<br><i>1.102</i>              | 28.00<br><i>1.102</i>                   | -                              | 48.00<br><i>1.890</i>                    | SUJ2 Chrome<br>Steel / S35C<br>Steel / PTFE<br>Lined        | 29.00<br><i>1.142</i>                   | No            |
| # EF-10/LH  | 10.00<br><i>0.394</i>            | M10 Female Left<br>Hand                   | 6.00 / 9.00 /<br>14.00 / 16.00<br><i>1.102</i>   | 28.00<br><i>1.102</i>                   | -                              | 43.00<br><i>1.693</i>                    | SUJ2 Chrome<br>Steel / S35C<br>Steel / PTFE<br>Lined        | 20.00<br><i>0.787</i>                   | No            |
| # EF-10/RH  | 10.00<br><i>0.394</i>            | M10 Female<br>Right Hand                  | 6.00 / 9.00 /<br>14.00 / 16.00<br><i>1.102</i>   | 28.00<br><i>1.102</i>                   | -                              | 43.00<br><i>1.693</i>                    | SUJ2 Chrome<br>Steel / S35C<br>Steel / PTFE<br>Lined        | 20.00<br><i>0.787</i>                   | No            |
| # SFE.00.10 | 10.00<br><i>0.394</i>            | M10 x 1.50<br>Female Right<br>Hand        | 10.50 / 14.00 /<br>16.00 / 19.00<br><i>1.024</i> | 26.00<br><i>1.024</i>                   | 56.00<br><i>2.205</i>          | 43.00<br><i>1.693</i>                    | High Carbon<br>Chrome Steel /<br>Chrome Steel /<br>Uniflon® | 20.00<br><i>0.787</i>                   | No            |
| # SFE10.45  | 10.00<br><i>0.394</i>            | M10 x 1.50<br>Female Right<br>Hand        | 10.50 / 14.00 /<br>16.00 / 19.00<br><i>1.024</i> | 26.00<br><i>1.024</i>                   | 56.00<br><i>2.205</i>          | 43.00<br><i>1.693</i>                    | Stainless Steel /<br>Chrome Steel /<br>Uniflon®             | 20.00<br><i>0.787</i>                   | No            |
| # SME.00.10 | 10.00<br><i>0.394</i>            | M10 x 1.50 Male<br>Right Hand             | 10.50 / 14.00 / -<br>/ -<br><i>1.024</i>         | 26.00<br><i>1.024</i>                   | 61.00<br><i>2.402</i>          | 48.00<br><i>1.890</i>                    | High Carbon<br>Chrome Steel /<br>Chrome Steel /<br>Uniflon® | 29.00<br><i>1.142</i>                   | No            |

# Indicates item not stocked at time of printing - Please enquire for lead time

E&OE Pricing and all details subject to change without notice - Copyright Miniature Bearings Australia Pty Ltd

MBA Size Listings are a guide to sizes only and must not be solely relied on for critical design information.

## Rod Ends - Steel - PTFE Lined

| Part Number         | Eye Size (B) mm<br><i>inches</i> | Thread Size /<br>Type mm<br><i>inches</i>      | Widths<br>(G/W/X/K) mm<br><i>inches</i>  | Housing Dia.<br>(D) mm<br><i>inches</i> | Height (H) mm<br><i>inches</i> | Centre Height<br>(F) mm<br><i>inches</i> | Ball / Body /<br>Seat  | Thread Depth<br>(A) mm<br><i>inches</i> | Grease Nipple |
|---------------------|----------------------------------|--|--|---|--------------------------------|--|--|---|---------------|
| # SME10.45          | 10.00<br><i>0.394</i>            | M10 x 1.50 Male<br>Right Hand<br><i>inches</i> | 10.50 / 14.00 / -<br>/-<br><i>inches</i> | 26.00<br><i>1.024</i>                   | 61.00<br><i>2.402</i>          | 48.00<br><i>1.890</i>                    | Stainless Steel /<br>Chrome Steel /<br>Uniflon®                          | 29.00<br><i>1.142</i>                   | No            |
| # BEM-10/LH-SS      | 10.00<br><i>0.394</i>            | M10 Male Left<br>Hand                          | 10.50 / 14.00 / -<br>/-                  | 28.00<br><i>1.102</i>                   | -                              | 48.00<br><i>1.890</i>                    | Stainless Steel<br>1.4412 /<br>Stainless Steel<br>1.4301 / PTFE<br>Lined | 29.00<br><i>1.142</i>                   | No            |
| # BEM-10/LH         | 10.00<br><i>0.394</i>            | M10 Male Left<br>Hand                          | 10.50 / 14.00 / -<br>/-                  | 28.00<br><i>1.102</i>                   | -                              | 48.00<br><i>1.890</i>                    | SUJ2 Chrome<br>Steel / S35C<br>Steel / PTFE<br>Lined                     | 29.00<br><i>1.142</i>                   | No            |
| # BEM-10/RH         | 10.00<br><i>0.394</i>            | M10 Male Right<br>Hand                         | 10.50 / 14.00 / -<br>/-                  | 28.00<br><i>1.102</i>                   | -                              | 48.00<br><i>1.890</i>                    | SUJ2 Chrome<br>Steel / S35C<br>Steel / PTFE<br>Lined                     | 29.00<br><i>1.142</i>                   | No            |
| # BEM-10/RH-SS      | 10.00<br><i>0.394</i>            | M10 Male Right<br>Hand                         | 10.50 / 14.00 / -<br>/-                  | 28.00<br><i>1.102</i>                   | -                              | 48.00<br><i>1.890</i>                    | Stainless Steel<br>1.4412 /<br>Stainless Steel<br>1.4301 / PTFE<br>Lined | 29.00<br><i>1.142</i>                   | No            |
| # BEM-10X1.25/LH-SS | 10.00<br><i>0.394</i>            | M10 x 1.25 Male<br>Left Hand                   | 10.50 / 14.00 / -<br>/-                  | 28.00<br><i>1.102</i>                   | -                              | 48.00<br><i>1.890</i>                    | Stainless Steel<br>1.4412 /<br>Stainless Steel<br>1.4301 / PTFE<br>Lined | 29.00<br><i>1.142</i>                   | No            |

# Indicates item not stocked at time of printing - Please enquire for lead time

E&OE Pricing and all details subject to change without notice - Copyright Miniature Bearings Australia Pty Ltd

MBA Size Listings are a guide to sizes only and must not be solely relied on for critical design information.

## Rod Ends - Steel - PTFE Lined

| Part Number         | Eye Size (B) mm<br><i>inches</i> | Thread Size /<br>Type mm<br><i>inches</i> | Widths<br>(G/W/X/K) mm<br><i>inches</i> | Housing Dia.<br>(D) mm<br><i>inches</i> | Height (H) mm<br><i>inches</i> | Centre Height<br>(F) mm<br><i>inches</i> | Ball / Body /<br>Seat  | Thread Depth<br>(A) mm<br><i>inches</i> | Grease Nipple |
|---------------------|----------------------------------|---|---|---|--------------------------------|--|--|---|---------------|
| # BEM-10X1.25/RH-SS | 10.00                            | M10 x 1.25 Male<br>Right Hand             | 10.50 / 14.00 / -<br>/ -                | 28.00                                   | -                              | 48.00                                    | Stainless Steel<br>1.4412 /<br>Stainless Steel<br>1.4301 / PTFE<br>Lined | 29.00                                   | No            |
|                     | <i>0.394</i>                     |   |   | <i>1.102</i>                            |                                | <i>1.890</i>                             |  | <i>1.142</i>                            |               |
| # BEF-10/LH         | 10.00                            | M10 Female Left<br>Hand                   | 10.50 / 14.00 /<br>17.00 / 19.00        | 28.00                                   | -                              | 43.00                                    | SUJ2 Chrome<br>Steel / S35C<br>Steel / PTFE<br>Lined                     | 20.00                                   | No            |
|                     | <i>0.394</i>                     |   |   | <i>1.102</i>                            |                                | <i>1.693</i>                             |  | <i>0.787</i>                            |               |
| # BEF-10/RH         | 10.00                            | M10 Female<br>Right Hand                  | 10.50 / 14.00 /<br>17.00 / 19.00        | 28.00                                   | -                              | 43.00                                    | SUJ2 Chrome<br>Steel / S35C<br>Steel / PTFE<br>Lined                     | 20.00                                   | No            |
|                     | <i>0.394</i>                     |   |   | <i>1.102</i>                            |                                | <i>1.693</i>                             |  | <i>0.787</i>                            |               |
| # BEF-10/LH-SS      | 10.00                            | M10 Female Left<br>Hand                   | 10.50 / 14.00 /<br>17.00 / 19.00        | 28.00                                   | -                              | 43.00                                    | Stainless Steel<br>1.4412 /<br>Stainless Steel<br>1.4301 / PTFE<br>Lined | 20.00                                   | No            |
|                     | <i>0.394</i>                     |   |   | <i>1.102</i>                            |                                | <i>1.693</i>                             |  | <i>0.787</i>                            |               |
| # BEF-10/RH-SS      | 10.00                            | M10 Female<br>Right Hand                  | 10.50 / 14.00 /<br>17.00 / 19.00        | 28.00                                   | -                              | 43.00                                    | Stainless Steel<br>1.4412 /<br>Stainless Steel<br>1.4301 / PTFE<br>Lined | 20.00                                   | No            |
|                     | <i>0.394</i>                     |   |   | <i>1.102</i>                            |                                | <i>1.693</i>                             |  | <i>0.787</i>                            |               |

# Indicates item not stocked at time of printing - Please enquire for lead time

E&OE Pricing and all details subject to change without notice - Copyright Miniature Bearings Australia Pty Ltd

MBA Size Listings are a guide to sizes only and must not be solely relied on for critical design information.

## Rod Ends - Steel - PTFE Lined

| Part Number         | Eye Size (B) mm<br><i>inches</i> | Thread Size /<br>Type mm<br><i>inches</i> | Widths<br>(G/W/X/K) mm<br><i>inches</i> | Housing Dia.<br>(D) mm<br><i>inches</i> | Height (H) mm<br><i>inches</i> | Centre Height<br>(F) mm<br><i>inches</i> | Ball / Body /<br>Seat  | Thread Depth<br>(A) mm<br><i>inches</i> | Grease Nipple |
|---------------------|----------------------------------|---|---|---|--------------------------------|--|--|---|---------------|
| # BEF-10X1.25/RH-SS | 10.00                            | M10 x 1.25<br>Female Right<br>Hand        | 10.50 / 14.00 /<br>17.00 / 19.00        | 28.00                                   | -                              | 43.00                                    | Stainless Steel<br>1.4412 /<br>Stainless Steel<br>1.4301 / PTFE<br>Lined | 20.00                                   | No            |
|                     | <i>0.394</i>                     |   |   | <i>1.102</i>                            |                                | <i>1.693</i>                             |  | <i>0.787</i>                            |               |
| # BEF-10X1.25/LH-SS | 10.00                            | M10 x 1.25<br>Female Left<br>Hand         | 10.50 / 14.00 /<br>17.00 / 19.00        | 28.00                                   | -                              | 43.00                                    | Stainless Steel<br>1.4412 /<br>Stainless Steel<br>1.4301 / PTFE<br>Lined | 20.00                                   | No            |
|                     | <i>0.394</i>                     |   |   | <i>1.102</i>                            |                                | <i>1.693</i>                             |  | <i>0.787</i>                            |               |
| # REM-10.00-L-T     | 10.00                            | M10 x 1.50 Male<br>Left Hand              | 11.00 / 14.00 / -<br>/ -                | 26.00                                   | 61.00                          | 48.00                                    | SUJ2 Chrome<br>Steel / S35C<br>Steel / PTFE<br>Lined                     | 29.00                                   |               |
|                     | <i>0.394</i>                     |   |   | <i>1.024</i>                            | <i>2.402</i>                   | <i>1.890</i>                             |  | <i>1.142</i>                            |               |
| # REM-10.00-R-T     | 10.00                            | M10 x 1.50 Male<br>Right Hand             | 11.00 / 14.00 / -<br>/ -                | 26.00                                   | 61.00                          | 48.00                                    | SUJ2 Chrome<br>Steel / S35C<br>Steel / PTFE<br>Lined                     | 29.00                                   |               |
|                     | <i>0.394</i>                     |   |   | <i>1.024</i>                            | <i>2.402</i>                   | <i>1.890</i>                             |  | <i>1.142</i>                            |               |
| # REF-10.00-L-T     | 10.00                            | M10 x 1.50<br>Female Left<br>Hand         | 11.00 / 14.00 /<br>17.00 / 19.00        | 26.00                                   | 56.00                          | 43.00                                    | SUJ2 Chrome<br>Steel / S35C<br>Steel / PTFE<br>Lined                     | 21.00                                   |               |
|                     | <i>0.394</i>                     |   |   | <i>1.024</i>                            | <i>2.205</i>                   | <i>1.693</i>                             |  | <i>0.827</i>                            |               |
| # REF-10.00-R-T     | 10.00                            | M10 x 1.50<br>Female Right<br>Hand        | 11.00 / 14.00 /<br>17.00 / 19.00        | 26.00                                   | 56.00                          | 43.00                                    | SUJ2 Chrome<br>Steel / S35C<br>Steel / PTFE<br>Lined                     | 21.00                                   |               |
|                     | <i>0.394</i>                     |   |   | <i>1.024</i>                            | <i>2.205</i>                   | <i>1.693</i>                             |  | <i>0.827</i>                            |               |

# Indicates item not stocked at time of printing - Please enquire for lead time

E&OE Pricing and all details subject to change without notice - Copyright Miniature Bearings Australia Pty Ltd

MBA Size Listings are a guide to sizes only and must not be solely relied on for critical design information.

## Rod Ends - Steel - PTFE Lined

| Part Number     | Eye Size (B) mm<br><i>inches</i> | Thread Size /<br>Type mm<br><i>inches</i> | Widths<br>(G/W/X/K) mm<br><i>inches</i> | Housing Dia.<br>(D) mm<br><i>inches</i> | Height (H) mm<br><i>inches</i> | Centre Height<br>(F) mm<br><i>inches</i> | Ball / Body /<br>Seat                                | Thread Depth<br>(A) mm<br><i>inches</i> | Grease Nipple |
|-----------------|----------------------------------|---|---|---|--------------------------------|--|--|---|---------------|
| # REF-11.11-R-T | 11.11<br><i>0.437</i>            | 7/16-20 UNF<br>Female Right<br>Hand       | 11.10 / 14.27 /<br>15.88 / 19.05        | 28.58<br><i>1.125</i>                   | 60.33<br><i>2.375</i>          | 46.02<br><i>1.812</i>                    | SUJ2 Chrome<br>Steel / S35C<br>Steel / PTFE<br>Lined | 26.97<br><i>1.062</i>                   |               |
| # REF-11.11-L-T | 11.11<br><i>0.437</i>            | 7/16-20 UNF<br>Female Left<br>Hand        | 11.10 / 14.27 /<br>15.88 / 19.05        | 28.58<br><i>1.125</i>                   | 60.33<br><i>2.375</i>          | 46.02<br><i>1.812</i>                    | SUJ2 Chrome<br>Steel / S35C<br>Steel / PTFE<br>Lined | 26.97<br><i>1.062</i>                   |               |
| # REM-11.11-L-T | 11.11<br><i>0.437</i>            | 7/16-20 UNF<br>Male Left Hand             | 11.10 / 14.27 / -<br>/ -                | 28.58<br><i>1.125</i>                   | 68.28<br><i>2.688</i>          | 53.98<br><i>2.125</i>                    | SUJ2 Chrome<br>Steel / S35C<br>Steel / PTFE<br>Lined | 34.93<br><i>1.375</i>                   |               |
| # REM-11.11-R-T | 11.11<br><i>0.437</i>            | 7/16-20 UNF<br>Male Right Hand            | 11.10 / 14.27 / -<br>/ -                | 28.58<br><i>1.125</i>                   | 68.28<br><i>2.688</i>          | 53.98<br><i>2.125</i>                    | SUJ2 Chrome<br>Steel / S35C<br>Steel / PTFE<br>Lined | 34.93<br><i>1.375</i>                   |               |
| # EF-12/RH      | 12.00<br><i>0.472</i>            | M12 Female<br>Right Hand                  | 7.00 / 10.00 /<br>17.00 / 19.00         | 32.00<br><i>1.260</i>                   | -                              | 50.00<br><i>1.969</i>                    | SUJ2 Chrome<br>Steel / S35C<br>Steel / PTFE<br>Lined | 22.00<br><i>0.866</i>                   | No            |
| # EM-12/RH      | 12.00<br><i>0.472</i>            | M12 Male Right<br>Hand                    | 7.00 / 10.00 / - / -                    | 32.00<br><i>1.260</i>                   | -                              | 54.00<br><i>2.126</i>                    | SUJ2 Chrome<br>Steel / S35C<br>Steel / PTFE<br>Lined | 33.00<br><i>1.299</i>                   | No            |

# Indicates item not stocked at time of printing - Please enquire for lead time

E&OE Pricing and all details subject to change without notice - Copyright Miniature Bearings Australia Pty Ltd

MBA Size Listings are a guide to sizes only and must not be solely relied on for critical design information.

## Rod Ends - Steel - PTFE Lined

| Part Number         | Eye Size (B) mm<br><i>inches</i> | Thread Size /<br>Type mm<br><i>inches</i> | Widths<br>(G/W/X/K) mm<br><i>inches</i> | Housing Dia.<br>(D) mm<br><i>inches</i> | Height (H) mm<br><i>inches</i> | Centre Height<br>(F) mm<br><i>inches</i> | Ball / Body /<br>Seat  | Thread Depth<br>(A) mm<br><i>inches</i> | Grease Nipple |
|---------------------|----------------------------------|---|---|---|--------------------------------|--|--|---|---------------|
| # EM-12/LH          | 12.00                            | M12 Male Left<br>Hand                     | 7.00 / 10.00 / - / -                    | 32.00                                   | -                              | 54.00                                    | SUJ2 Chrome<br>Steel / S35C<br>Steel / PTFE<br>Lined                     | 33.00                                   | No            |
|                     | <i>0.472</i>                     |   |   | <i>1.260</i>                            |                                | <i>2.126</i>                             |  | <i>1.299</i>                            |               |
| # EF-12/LH          | 12.00                            | M12 Female Left<br>Hand                   | 7.00 / 10.00 /<br>17.00 / 19.00         | 32.00                                   | -                              | 50.00                                    | SUJ2 Chrome<br>Steel / S35C<br>Steel / PTFE<br>Lined                     | 22.00                                   | No            |
|                     | <i>0.472</i>                     |   |   | <i>1.260</i>                            |                                | <i>1.969</i>                             |  | <i>0.866</i>                            |               |
| # BEM-12/RH-SS      | 12.00                            | M12 Male Right<br>Hand                    | 12.00 / 16.00 / -<br>/ -                | 32.00                                   | -                              | 54.00                                    | Stainless Steel<br>1.4412 /<br>Stainless Steel<br>1.4301 / PTFE<br>Lined | 33.00                                   | No            |
|                     | <i>0.472</i>                     |   |   | <i>1.260</i>                            |                                | <i>2.126</i>                             |  | <i>1.299</i>                            |               |
| # BEF-12/RH-SS      | 12.00                            | M12 Female<br>Right Hand                  | 12.00 / 16.00 /<br>19.00 / 22.00        | 32.00                                   | -                              | 50.00                                    | Stainless Steel<br>1.4412 /<br>Stainless Steel<br>1.4301 / PTFE<br>Lined | 22.00                                   | No            |
|                     | <i>0.472</i>                     |   |   | <i>1.260</i>                            |                                | <i>1.969</i>                             |  | <i>0.866</i>                            |               |
| # BEF-12X1.25/LH-SS | 12.00                            | M12 x 1.25<br>Female Left<br>Hand         | 12.00 / 16.00 /<br>19.00 / 22.00        | 32.00                                   | -                              | 50.00                                    | Stainless Steel<br>1.4412 /<br>Stainless Steel<br>1.4301 / PTFE<br>Lined | 22.00                                   | No            |
|                     | <i>0.472</i>                     |   |   | <i>1.260</i>                            |                                | <i>1.969</i>                             |  | <i>0.866</i>                            |               |

# Indicates item not stocked at time of printing - Please enquire for lead time

E&OE Pricing and all details subject to change without notice - Copyright Miniature Bearings Australia Pty Ltd

MBA Size Listings are a guide to sizes only and must not be solely relied on for critical design information.

## Rod Ends - Steel - PTFE Lined

| Part Number        | Eye Size (B) mm<br><i>inches</i> | Thread Size /<br>Type mm<br><i>inches</i> | Widths<br>(G/W/X/K) mm<br><i>inches</i> | Housing Dia.<br>(D) mm<br><i>inches</i> | Height (H) mm<br><i>inches</i> | Centre Height<br>(F) mm<br><i>inches</i> | Ball / Body /<br>Seat  | Thread Depth<br>(A) mm<br><i>inches</i> | Grease Nipple |
|--------------------|----------------------------------|---|---|---|--------------------------------|--|--|---|---------------|
| # REM-12.00-L-T    | 12.00                            | M12 x 1.75 Male<br>Left Hand              | 12.00 / 16.00 / -<br>/ -                | 30.00                                   | 69.00                          | 54.00                                    | SUJ2 Chrome<br>Steel / S35C<br>Steel / PTFE<br>Lined                     | 33.00                                   |               |
|                    | <i>0.472</i>                     |   |   | <i>1.181</i>                            | <i>2.717</i>                   | <i>2.126</i>                             |  | <i>1.299</i>                            |               |
| # SME.00.12        | 12.00                            | M12 x 1.75 Male<br>Right Hand             | 12.00 / 16.00 / -<br>/ -                | 30.00                                   | 69.00                          | 54.00                                    | High Carbon<br>Chrome Steel /<br>Chrome Steel /<br>Uniflon®              | 33.00                                   | No            |
|                    | <i>0.472</i>                     |   |   | <i>1.181</i>                            | <i>2.717</i>                   | <i>2.126</i>                             |  | <i>1.299</i>                            |               |
| # BEM-12X1.5/LH-SS | 12.00                            | M12 x 1.50 Male<br>Left Hand              | 12.00 / 16.00 / -<br>/ -                | 32.00                                   | -                              | 54.00                                    | Stainless Steel<br>1.4412 /<br>Stainless Steel<br>1.4301 / PTFE<br>Lined | 33.00                                   | No            |
|                    | <i>0.472</i>                     |   |   | <i>1.260</i>                            |                                | <i>2.126</i>                             |  | <i>1.299</i>                            |               |
| # BEM-12X1.5/RH-SS | 12.00                            | M12 x 1.50 Male<br>Right Hand             | 12.00 / 16.00 / -<br>/ -                | 32.00                                   | -                              | 54.00                                    | Stainless Steel<br>1.4412 /<br>Stainless Steel<br>1.4301 / PTFE<br>Lined | 33.00                                   | No            |
|                    | <i>0.472</i>                     |   |   | <i>1.260</i>                            |                                | <i>2.126</i>                             |  | <i>1.299</i>                            |               |
| # REM-12.00-R-T    | 12.00                            | M12 x 1.75 Male<br>Right Hand             | 12.00 / 16.00 / -<br>/ -                | 30.00                                   | 69.00                          | 54.00                                    | SUJ2 Chrome<br>Steel / S35C<br>Steel / PTFE<br>Lined                     | 33.00                                   |               |
|                    | <i>0.472</i>                     |   |   | <i>1.181</i>                            | <i>2.717</i>                   | <i>2.126</i>                             |  | <i>1.299</i>                            |               |

# Indicates item not stocked at time of printing - Please enquire for lead time

E&OE Pricing and all details subject to change without notice - Copyright Miniature Bearings Australia Pty Ltd

MBA Size Listings are a guide to sizes only and must not be solely relied on for critical design information.

## Rod Ends - Steel - PTFE Lined

| Part Number         | Eye Size (B) mm<br><i>inches</i> | Thread Size /<br>Type mm<br><i>inches</i>           | Widths<br>(G/W/X/K) mm<br><i>inches</i>           | Housing Dia.<br>(D) mm<br><i>inches</i> | Height (H) mm<br><i>inches</i> | Centre Height<br>(F) mm<br><i>inches</i> | Ball / Body /<br>Seat  | Thread Depth<br>(A) mm<br><i>inches</i> | Grease Nipple |
|---------------------|----------------------------------|---|---|---|--------------------------------|--|--|---|---------------|
| # BEF-12X1.25/RH-SS | 12.00<br><i>0.472</i>            | M12 x 1.25<br>Female Right<br>Hand<br><i>inches</i> | 12.00 / 16.00 /<br>19.00 / 22.00<br><i>inches</i> | 32.00<br><i>1.260</i>                   | -<br><i>inches</i>             | 50.00<br><i>1.969</i>                    | Stainless Steel<br>1.4412 /<br>Stainless Steel<br>1.4301 / PTFE<br>Lined | 22.00<br><i>0.866</i>                   | No            |
| # SME12.45          | 12.00<br><i>0.472</i>            | M12 x 1.75 Male<br>Right Hand                       | 12.00 / 16.00 / -<br>/ -                          | 30.00<br><i>1.181</i>                   | 69.00<br><i>2.717</i>          | 54.00<br><i>2.126</i>                    | Stainless Steel /<br>Chrome Steel /<br>Uniflon®                          | 33.00<br><i>1.299</i>                   | No            |
| # BEM-12/LH         | 12.00<br><i>0.472</i>            | M12 Male Left<br>Hand                               | 12.00 / 16.00 / -<br>/ -                          | 32.00<br><i>1.260</i>                   | -                              | 54.00<br><i>2.126</i>                    | SUJ2 Chrome<br>Steel / S35C<br>Steel / PTFE<br>Lined                     | 33.00<br><i>1.299</i>                   | No            |
| # BEM-12/LH-SS      | 12.00<br><i>0.472</i>            | M12 Male Left<br>Hand                               | 12.00 / 16.00 / -<br>/ -                          | 32.00<br><i>1.260</i>                   | -                              | 54.00<br><i>2.126</i>                    | Stainless Steel<br>1.4412 /<br>Stainless Steel<br>1.4301 / PTFE<br>Lined | 33.00<br><i>1.299</i>                   | No            |
| # SFE12.45          | 12.00<br><i>0.472</i>            | M12 x 1.75<br>Female Right<br>Hand                  | 12.00 / 16.00 /<br>18.00 / 22.00                  | 30.00<br><i>1.181</i>                   | 65.00<br><i>2.559</i>          | 50.00<br><i>1.969</i>                    | Stainless Steel /<br>Chrome Steel /<br>Uniflon®                          | 22.00<br><i>0.866</i>                   | No            |
| # SFE.00.12         | 12.00<br><i>0.472</i>            | M12 x 1.75<br>Female Right<br>Hand                  | 12.00 / 16.00 /<br>18.00 / 22.00                  | 30.00<br><i>1.181</i>                   | 65.00<br><i>2.559</i>          | 50.00<br><i>1.969</i>                    | High Carbon<br>Chrome Steel /<br>Chrome Steel /<br>Uniflon®              | 22.00<br><i>0.866</i>                   | No            |

# Indicates item not stocked at time of printing - Please enquire for lead time

E&OE Pricing and all details subject to change without notice - Copyright Miniature Bearings Australia Pty Ltd

MBA Size Listings are a guide to sizes only and must not be solely relied on for critical design information.

## Rod Ends - Steel - PTFE Lined

| Part Number     | Eye Size (B) mm<br><i>inches</i> | Thread Size /<br>Type mm<br><i>inches</i> | Widths<br>(G/W/X/K) mm<br><i>inches</i> | Housing Dia.<br>(D) mm<br><i>inches</i> | Height (H) mm<br><i>inches</i> | Centre Height<br>(F) mm<br><i>inches</i> | Ball / Body /<br>Seat  | Thread Depth<br>(A) mm<br><i>inches</i> | Grease Nipple |
|-----------------|----------------------------------|---|---|---|--------------------------------|--|--|---|---------------|
| # BEF-12/LH-SS  | 12.00                            | M12 Female Left<br>Hand                   | 12.00 / 16.00 /<br>19.00 / 22.00        | 32.00                                   | -                              | 50.00                                    | Stainless Steel<br>1.4412 /<br>Stainless Steel<br>1.4301 / PTFE<br>Lined | 22.00                                   | No            |
|                 | <i>0.472</i>                     |   |   | <i>1.260</i>                            |                                | <i>1.969</i>                             |  | <i>0.866</i>                            |               |
| # BEF-12/RH     | 12.00                            | M12 Female<br>Right Hand                  | 12.00 / 16.00 /<br>19.00 / 22.00        | 32.00                                   | -                              | 50.00                                    | SUJ2 Chrome<br>Steel / S35C<br>Steel / PTFE<br>Lined                     | 22.00                                   | No            |
|                 | <i>0.472</i>                     |   |   | <i>1.260</i>                            |                                | <i>1.969</i>                             |  | <i>0.866</i>                            |               |
| # BEF-12/LH     | 12.00                            | M12 Female Left<br>Hand                   | 12.00 / 16.00 /<br>19.00 / 22.00        | 32.00                                   | -                              | 50.00                                    | SUJ2 Chrome<br>Steel / S35C<br>Steel / PTFE<br>Lined                     | 22.00                                   | No            |
|                 | <i>0.472</i>                     |   |   | <i>1.260</i>                            |                                | <i>1.969</i>                             |  | <i>0.866</i>                            |               |
| # REF-12.00-R-T | 12.00                            | M12 x 1.75<br>Female Right<br>Hand        | 12.00 / 16.00 /<br>19.00 / 22.00        | 30.00                                   | 65.00                          | 50.00                                    | SUJ2 Chrome<br>Steel / S35C<br>Steel / PTFE<br>Lined                     | 24.00                                   |               |
|                 | <i>0.472</i>                     |   |   | <i>1.181</i>                            | <i>2.559</i>                   | <i>1.969</i>                             |  | <i>0.945</i>                            |               |
| # REF-12.00-L-T | 12.00                            | M12 x 1.75<br>Female Left<br>Hand         | 12.00 / 16.00 /<br>19.00 / 22.00        | 30.00                                   | 65.00                          | 50.00                                    | SUJ2 Chrome<br>Steel / S35C<br>Steel / PTFE<br>Lined                     | 24.00                                   |               |
|                 | <i>0.472</i>                     |   |   | <i>1.181</i>                            | <i>2.559</i>                   | <i>1.969</i>                             |  | <i>0.945</i>                            |               |
| # BEM-12/RH     | 12.00                            | M12 Male Right<br>Hand                    | 12.00 / 16.00 / -<br>/ -                | 32.00                                   | -                              | 54.00                                    | SUJ2 Chrome<br>Steel / S35C<br>Steel / PTFE<br>Lined                     | 33.00                                   | No            |
|                 | <i>0.472</i>                     |   |   | <i>1.260</i>                            |                                | <i>2.126</i>                             |  | <i>1.299</i>                            |               |

# Indicates item not stocked at time of printing - Please enquire for lead time

E&OE Pricing and all details subject to change without notice - Copyright Miniature Bearings Australia Pty Ltd

MBA Size Listings are a guide to sizes only and must not be solely relied on for critical design information.

## Rod Ends - Steel - PTFE Lined

| Part Number     | Eye Size (B) mm<br><i>inches</i> | Thread Size /<br>Type mm<br><i>inches</i> | Widths<br>(G/W/X/K) mm<br><i>inches</i> | Housing Dia.<br>(D) mm<br><i>inches</i> | Height (H) mm<br><i>inches</i> | Centre Height<br>(F) mm<br><i>inches</i> | Ball / Body /<br>Seat                                       | Thread Depth<br>(A) mm<br><i>inches</i> | Grease Nipple |
|-----------------|----------------------------------|---|---|---|--------------------------------|--|---|---|---------------|
| # REF-12.70-R-T | 12.70                            | 1/2-20 UNF<br>Female Right<br>Hand        | 12.70 / 15.88 /<br>19.05 / 22.23        | 33.32                                   | 70.64                          | 53.98                                    | SUJ2 Chrome<br>Steel / S35C<br>Steel / PTFE<br>Lined        | 30.15                                   |               |
|                 | <i>0.500</i>                     |   |   | <i>1.312</i>                            | <i>2.781</i>                   | <i>2.125</i>                             |   | <i>1.187</i>                            |               |
| # REM-12.70-R-T | 12.70                            | 1/2-20 UNF<br>Male Right Hand             | 12.70 / 15.88 / -<br>/ -                | 33.32                                   | 78.59                          | 61.93                                    | SUJ2 Chrome<br>Steel / S35C<br>Steel / PTFE<br>Lined        | 38.10                                   |               |
|                 | <i>0.500</i>                     |   |   | <i>1.312</i>                            | <i>3.094</i>                   | <i>2.438</i>                             |   | <i>1.500</i>                            |               |
| # REM-12.70-L-T | 12.70                            | 1/2-20 UNF<br>Male Left Hand              | 12.70 / 15.88 / -<br>/ -                | 33.32                                   | 78.59                          | 61.93                                    | SUJ2 Chrome<br>Steel / S35C<br>Steel / PTFE<br>Lined        | 38.10                                   |               |
|                 | <i>0.500</i>                     |   |   | <i>1.312</i>                            | <i>3.094</i>                   | <i>2.438</i>                             |   | <i>1.500</i>                            |               |
| # REF-12.70-L-T | 12.70                            | 1/2-20 UNF<br>Female Left<br>Hand         | 12.70 / 15.88 /<br>19.05 / 22.23        | 33.32                                   | 70.64                          | 53.98                                    | SUJ2 Chrome<br>Steel / S35C<br>Steel / PTFE<br>Lined        | 30.15                                   |               |
|                 | <i>0.500</i>                     |   |   | <i>1.312</i>                            | <i>2.781</i>                   | <i>2.125</i>                             |   | <i>1.187</i>                            |               |
| # SME14.45      | 14.00                            | M14 x 2.00 Male<br>Right Hand             | 13.50 / 19.00 / -<br>/ -                | 34.00                                   | 77.00                          | 60.00                                    | Stainless Steel /<br>Chrome Steel /<br>Uniflon®             | 36.00                                   | No            |
|                 | <i>0.551</i>                     |   |   | <i>1.339</i>                            | <i>3.031</i>                   | <i>2.362</i>                             |   | <i>1.417</i>                            |               |
| # SFE.00.14     | 14.00                            | M14 x 2.00<br>Female Right<br>Hand        | 13.50 / 19.00 /<br>21.00 / 25.00        | 34.00                                   | 74.00                          | 57.00                                    | High Carbon<br>Chrome Steel /<br>Chrome Steel /<br>Uniflon® | 27.00                                   | No            |
|                 | <i>0.551</i>                     |   |   | <i>1.339</i>                            | <i>2.913</i>                   | <i>2.244</i>                             |   | <i>1.063</i>                            |               |

# Indicates item not stocked at time of printing - Please enquire for lead time

E&OE Pricing and all details subject to change without notice - Copyright Miniature Bearings Australia Pty Ltd

MBA Size Listings are a guide to sizes only and must not be solely relied on for critical design information.

## Rod Ends - Steel - PTFE Lined

| Part Number     | Eye Size (B) mm<br><i>inches</i> | Thread Size /<br>Type mm<br><i>inches</i> | Widths<br>(G/W/X/K) mm<br><i>inches</i>           | Housing Dia.<br>(D) mm<br><i>inches</i> | Height (H) mm<br><i>inches</i> | Centre Height<br>(F) mm<br><i>inches</i> | Ball / Body /<br>Seat                                | Thread Depth<br>(A) mm<br><i>inches</i> | Grease Nipple |
|-----------------|----------------------------------|---|---|---|--------------------------------|--|--|---|---------------|
| # SFE14.45      | 14.00<br><i>0.551</i>            | M14 x 2.00<br>Female Right<br>Hand        | 13.50 / 19.00 /<br>21.00 / 25.00<br><i>inches</i> | 34.00<br><i>1.339</i>                   | 74.00<br><i>2.913</i>          | 57.00<br><i>2.244</i>                    | Stainless Steel /<br>Chrome Steel /<br>Uniflon®      | 27.00<br><i>1.063</i>                   | No            |
| # BEM-14/RH     | 14.00<br><i>0.551</i>            | M14 Male Right<br>Hand                    | 13.50 / 19.00 / -<br>/-                           | 36.00<br><i>1.417</i>                   | -                              | 60.00<br><i>2.362</i>                    | SUJ2 Chrome<br>Steel / S35C<br>Steel / PTFE<br>Lined | 36.00<br><i>1.417</i>                   | No            |
| # BEM-14/LH     | 14.00<br><i>0.551</i>            | M14 Male Left<br>Hand                     | 13.50 / 19.00 / -<br>/-                           | 36.00<br><i>1.417</i>                   | -                              | 60.00<br><i>2.362</i>                    | SUJ2 Chrome<br>Steel / S35C<br>Steel / PTFE<br>Lined | 36.00<br><i>1.417</i>                   | No            |
| # BEF-14/RH     | 14.00<br><i>0.551</i>            | M14 Female<br>Right Hand                  | 13.50 / 19.00 /<br>22.00 / 25.00                  | 36.00<br><i>1.417</i>                   | -                              | 57.00<br><i>2.244</i>                    | SUJ2 Chrome<br>Steel / S35C<br>Steel / PTFE<br>Lined | 25.00<br><i>0.984</i>                   | No            |
| # BEF-14/LH     | 14.00<br><i>0.551</i>            | M14 Female Left<br>Hand                   | 13.50 / 19.00 /<br>22.00 / 25.00                  | 36.00<br><i>1.417</i>                   | -                              | 57.00<br><i>2.244</i>                    | SUJ2 Chrome<br>Steel / S35C<br>Steel / PTFE<br>Lined | 25.00<br><i>0.984</i>                   | No            |
| # REM-14.00-R-T | 14.00<br><i>0.551</i>            | M14 x 2.00 Male<br>Right Hand             | 14.00 / 19.00 / -<br>/-                           | 34.00<br><i>1.339</i>                   | 77.00<br><i>3.031</i>          | 60.00<br><i>2.362</i>                    | SUJ2 Chrome<br>Steel / S35C<br>Steel / PTFE<br>Lined | 36.00<br><i>1.417</i>                   |               |

# Indicates item not stocked at time of printing - Please enquire for lead time

E&OE Pricing and all details subject to change without notice - Copyright Miniature Bearings Australia Pty Ltd

MBA Size Listings are a guide to sizes only and must not be solely relied on for critical design information.

## Rod Ends - Steel - PTFE Lined

| Part Number     | Eye Size (B) mm<br><i>inches</i> | Thread Size /<br>Type mm<br><i>inches</i> | Widths<br>(G/W/X/K) mm<br><i>inches</i> | Housing Dia.<br>(D) mm<br><i>inches</i> | Height (H) mm<br><i>inches</i> | Centre Height<br>(F) mm<br><i>inches</i> | Ball / Body /<br>Seat                                | Thread Depth<br>(A) mm<br><i>inches</i> | Grease Nipple |
|-----------------|----------------------------------|---|---|---|--------------------------------|--|--|---|---------------|
| # REM-14.00-L-T | 14.00                            | M14 x 2.00 Male<br>Left Hand              | 14.00 / 19.00 / -<br>/ -                | 34.00                                   | 77.00                          | 60.00                                    | SUJ2 Chrome<br>Steel / S35C<br>Steel / PTFE<br>Lined | 36.00                                   |               |
|                 | <i>0.551</i>                     |   |   | <i>1.339</i>                            | <i>3.031</i>                   | <i>2.362</i>                             |  | <i>1.417</i>                            |               |
| # REF-14.00-L-T | 14.00                            | M14 x 2.00<br>Female Left<br>Hand         | 14.00 / 19.00 /<br>22.00 / 25.00        | 34.00                                   | 74.00                          | 57.00                                    | SUJ2 Chrome<br>Steel / S35C<br>Steel / PTFE<br>Lined | 27.00                                   |               |
|                 | <i>0.551</i>                     |   |   | <i>1.339</i>                            | <i>2.913</i>                   | <i>2.244</i>                             |  | <i>1.063</i>                            |               |
| # REF-14.00-R-T | 14.00                            | M14 x 2.00<br>Female Right<br>Hand        | 14.00 / 19.00 /<br>22.00 / 25.00        | 34.00                                   | 74.00                          | 57.00                                    | SUJ2 Chrome<br>Steel / S35C<br>Steel / PTFE<br>Lined | 27.00                                   |               |
|                 | <i>0.551</i>                     |   |   | <i>1.339</i>                            | <i>2.913</i>                   | <i>2.244</i>                             |  | <i>1.063</i>                            |               |
| # EF-15/LH      | 15.00                            | M14 Female Left<br>Hand                   | 9.00 / 12.00 /<br>19.00 / 22.00         | 38.00                                   | -                              | 61.00                                    | SUJ2 Chrome<br>Steel / S35C<br>Steel / PTFE<br>Lined | 25.00                                   | No            |
|                 | <i>0.591</i>                     |   |   | <i>1.496</i>                            |                                | <i>2.402</i>                             |  | <i>0.984</i>                            |               |
| # EM-15/LH      | 15.00                            | M14 Male Left<br>Hand                     | 9.00 / 12.00 / - / -                    | 38.00                                   | -                              | 63.00                                    | SUJ2 Chrome<br>Steel / S35C<br>Steel / PTFE<br>Lined | 36.00                                   | No            |
|                 | <i>0.591</i>                     |   |   | <i>1.496</i>                            |                                | <i>2.480</i>                             |  | <i>1.417</i>                            |               |
| # EM-15/RH      | 15.00                            | M14 Male Right<br>Hand                    | 9.00 / 12.00 / - / -                    | 38.00                                   | -                              | 63.00                                    | SUJ2 Chrome<br>Steel / S35C<br>Steel / PTFE<br>Lined | 36.00                                   | No            |
|                 | <i>0.591</i>                     |   |   | <i>1.496</i>                            |                                | <i>2.480</i>                             |  | <i>1.417</i>                            |               |

# Indicates item not stocked at time of printing - Please enquire for lead time

E&OE Pricing and all details subject to change without notice - Copyright Miniature Bearings Australia Pty Ltd

MBA Size Listings are a guide to sizes only and must not be solely relied on for critical design information.

## Rod Ends - Steel - PTFE Lined

| Part Number        | Eye Size (B) mm<br><i>inches</i> | Thread Size /<br>Type mm<br><i>inches</i> | Widths<br>(G/W/X/K) mm<br><i>inches</i>          | Housing Dia.<br>(D) mm<br><i>inches</i> | Height (H) mm<br><i>inches</i> | Centre Height<br>(F) mm<br><i>inches</i> | Ball / Body /<br>Seat  | Thread Depth<br>(A) mm<br><i>inches</i> | Grease Nipple |
|--------------------|----------------------------------|---|--|---|--------------------------------|--|--|---|---------------|
| # EF-15/RH         | 15.00<br><i>0.591</i>            | M14 Female<br>Right Hand<br><i>inches</i> | 9.00 / 12.00 /<br>19.00 / 22.00<br><i>inches</i> | 38.00<br><i>1.496</i>                   | -                              | 61.00<br><i>2.402</i>                    | SUJ2 Chrome<br>Steel / S35C<br>Steel / PTFE<br>Lined                     | 25.00<br><i>0.984</i>                   | No            |
| # REM-15.88-R-T    | 15.88<br><i>0.625</i>            | 5/8-18 UNF<br>Male Right Hand             | 14.27 / 19.05 / -<br>/ -                         | 38.10<br><i>1.500</i>                   | 85.73<br><i>3.375</i>          | 66.68<br><i>2.625</i>                    | SUJ2 Chrome<br>Steel / S35C<br>Steel / PTFE<br>Lined                     | 41.28<br><i>1.625</i>                   |               |
| # REF-15.88-R-T    | 15.88<br><i>0.625</i>            | 5/8-18 UNF<br>Female Right<br>Hand        | 14.27 / 19.05 /<br>22.23 / 25.40                 | 38.10<br><i>1.500</i>                   | 82.55<br><i>3.250</i>          | 63.50<br><i>2.500</i>                    | SUJ2 Chrome<br>Steel / S35C<br>Steel / PTFE<br>Lined                     | 38.10<br><i>1.500</i>                   |               |
| # REM-15.88-L-T    | 15.88<br><i>0.625</i>            | 5/8-18 UNF<br>Male Left Hand              | 14.27 / 19.05 / -<br>/ -                         | 38.10<br><i>1.500</i>                   | 85.73<br><i>3.375</i>          | 66.68<br><i>2.625</i>                    | SUJ2 Chrome<br>Steel / S35C<br>Steel / PTFE<br>Lined                     | 41.28<br><i>1.625</i>                   |               |
| # REF-15.88-L-T    | 15.88<br><i>0.625</i>            | 5/8-18 UNF<br>Female Left<br>Hand         | 14.27 / 19.05 /<br>22.23 / 25.40                 | 38.10<br><i>1.500</i>                   | 82.55<br><i>3.250</i>          | 63.50<br><i>2.500</i>                    | SUJ2 Chrome<br>Steel / S35C<br>Steel / PTFE<br>Lined                     | 38.10<br><i>1.500</i>                   |               |
| # BEM-16X1.5/RH-SS | 16.00<br><i>0.630</i>            | M16 x 1.50 Male<br>Right Hand             | 15.00 / 21.00 / -<br>/ -                         | 42.00<br><i>1.654</i>                   | -                              | 66.00<br><i>2.598</i>                    | Stainless Steel<br>1.4412 /<br>Stainless Steel<br>1.4301 / PTFE<br>Lined | 40.00<br><i>1.575</i>                   | No            |

# Indicates item not stocked at time of printing - Please enquire for lead time

E&OE Pricing and all details subject to change without notice - Copyright Miniature Bearings Australia Pty Ltd

MBA Size Listings are a guide to sizes only and must not be solely relied on for critical design information.

## Rod Ends - Steel - PTFE Lined

| Part Number        | Eye Size (B) mm<br><i>inches</i> | Thread Size /<br>Type mm<br><i>inches</i>           | Widths<br>(G/W/X/K) mm<br><i>inches</i>           | Housing Dia.<br>(D) mm<br><i>inches</i> | Height (H) mm<br><i>inches</i> | Centre Height<br>(F) mm<br><i>inches</i> | Ball / Body /<br>Seat  | Thread Depth<br>(A) mm<br><i>inches</i> | Grease Nipple |
|--------------------|----------------------------------|---|---|---|--------------------------------|--|--|---|---------------|
| # BEM-16X1.5/LH-SS | 16.00<br><i>0.630</i>            | M16 x 1.50 Male<br>Left Hand<br><i>inches</i>       | 15.00 / 21.00 / -<br>/-<br><i>inches</i>          | 42.00<br><i>1.654</i>                   | -                              | 66.00<br><i>2.598</i>                    | Stainless Steel<br>1.4412 /<br>Stainless Steel<br>1.4301 / PTFE<br>Lined | 40.00<br><i>1.575</i>                   | No            |
| # BEM-16/RH-SS     | 16.00<br><i>0.630</i>            | M16 Male Right<br>Hand<br><i>inches</i>             | 15.00 / 21.00 / -<br>/-<br><i>inches</i>          | 42.00<br><i>1.654</i>                   | -                              | 66.00<br><i>2.598</i>                    | Stainless Steel<br>1.4412 /<br>Stainless Steel<br>1.4301 / PTFE<br>Lined | 40.00<br><i>1.575</i>                   | No            |
| # BEM-16/RH        | 16.00<br><i>0.630</i>            | M16 Male Right<br>Hand<br><i>inches</i>             | 15.00 / 21.00 / -<br>/-<br><i>inches</i>          | 42.00<br><i>1.654</i>                   | -                              | 66.00<br><i>2.598</i>                    | SUJ2 Chrome<br>Steel / S35C<br>Steel / PTFE<br>Lined                     | 40.00<br><i>1.575</i>                   | No            |
| # SFE.00.16        | 16.00<br><i>0.630</i>            | M16 x 2.00<br>Female Right<br>Hand<br><i>inches</i> | 15.00 / 21.00 /<br>24.00 / 27.00<br><i>inches</i> | 38.00<br><i>1.496</i>                   | 83.00<br><i>3.268</i>          | 64.00<br><i>2.520</i>                    | High Carbon<br>Chrome Steel /<br>Chrome Steel /<br>Uniflon®              | 33.00<br><i>1.299</i>                   | No            |
| # SME16.45         | 16.00<br><i>0.630</i>            | M16 x 2.00 Male<br>Right Hand<br><i>inches</i>      | 15.00 / 21.00 / -<br>/-<br><i>inches</i>          | 38.00<br><i>1.496</i>                   | 85.00<br><i>3.346</i>          | 66.00<br><i>2.598</i>                    | Stainless Steel /<br>Chrome Steel /<br>Uniflon®                          | 40.00<br><i>1.575</i>                   | No            |
| # BEM-16/LH        | 16.00<br><i>0.630</i>            | M16 Male Left<br>Hand<br><i>inches</i>              | 15.00 / 21.00 / -<br>/-<br><i>inches</i>          | 42.00<br><i>1.654</i>                   | -                              | 66.00<br><i>2.598</i>                    | SUJ2 Chrome<br>Steel / S35C<br>Steel / PTFE<br>Lined                     | 40.00<br><i>1.575</i>                   | No            |

# Indicates item not stocked at time of printing - Please enquire for lead time

E&OE Pricing and all details subject to change without notice - Copyright Miniature Bearings Australia Pty Ltd

MBA Size Listings are a guide to sizes only and must not be solely relied on for critical design information.

## Rod Ends - Steel - PTFE Lined

| Part Number     | Eye Size (B) mm<br><i>inches</i> | Thread Size /<br>Type mm<br><i>inches</i> | Widths<br>(G/W/X/K) mm<br><i>inches</i> | Housing Dia.<br>(D) mm<br><i>inches</i> | Height (H) mm<br><i>inches</i> | Centre Height<br>(F) mm<br><i>inches</i> | Ball / Body /<br>Seat  | Thread Depth<br>(A) mm<br><i>inches</i> | Grease Nipple |
|-----------------|----------------------------------|---|---|---|--------------------------------|--|--|---|---------------|
| # SFE16.45      | 16.00<br><i>0.630</i>            | M16 x 2.00<br>Female Right<br>Hand        | 15.00 / 21.00 /<br>24.00 / 27.00        | 38.00<br><i>1.496</i>                   | 83.00<br><i>3.268</i>          | 64.00<br><i>2.520</i>                    | Stainless Steel /<br>Chrome Steel /<br>Uniflon®                          | 33.00<br><i>1.299</i>                   | No            |
| # SME.00.16     | 16.00<br><i>0.630</i>            | M16 x 2.00 Male<br>Right Hand             | 15.00 / 21.00 / -<br>/ -                | 38.00<br><i>1.496</i>                   | 85.00<br><i>3.346</i>          | 66.00<br><i>2.598</i>                    | High Carbon<br>Chrome Steel /<br>Chrome Steel /<br>Uniflon®              | 40.00<br><i>1.575</i>                   | No            |
| # BEM-16/LH-SS  | 16.00<br><i>0.630</i>            | M16 Male Left<br>Hand                     | 15.00 / 21.00 / -<br>/ -                | 42.00<br><i>1.654</i>                   | -                              | 66.00<br><i>2.598</i>                    | Stainless Steel<br>1.4412 /<br>Stainless Steel<br>1.4301 / PTFE<br>Lined | 40.00<br><i>1.575</i>                   | No            |
| # BEF-16/RH-SS  | 16.00<br><i>0.630</i>            | M16 Female<br>Right Hand                  | 15.00 / 21.00 /<br>22.00 / 27.00        | 42.00<br><i>1.654</i>                   | -                              | 64.00<br><i>2.520</i>                    | Stainless Steel<br>1.4412 /<br>Stainless Steel<br>1.4301 / PTFE<br>Lined | 28.00<br><i>1.102</i>                   | No            |
| # REM-16.00-R-T | 16.00<br><i>0.630</i>            | M16 x 2.00 Male<br>Right Hand             | 15.00 / 21.00 / -<br>/ -                | 38.00<br><i>1.496</i>                   | 85.00<br><i>3.346</i>          | 66.00<br><i>2.598</i>                    | SUJ2 Chrome<br>Steel / S35C<br>Steel / PTFE<br>Lined                     | 40.00<br><i>1.575</i>                   |               |
| # REM-16.00-L-T | 16.00<br><i>0.630</i>            | M16 x 2.00 Male<br>Left Hand              | 15.00 / 21.00 / -<br>/ -                | 38.00<br><i>1.496</i>                   | 85.00<br><i>3.346</i>          | 66.00<br><i>2.598</i>                    | SUJ2 Chrome<br>Steel / S35C<br>Steel / PTFE<br>Lined                     | 40.00<br><i>1.575</i>                   |               |

# Indicates item not stocked at time of printing - Please enquire for lead time

E&OE Pricing and all details subject to change without notice - Copyright Miniature Bearings Australia Pty Ltd

MBA Size Listings are a guide to sizes only and must not be solely relied on for critical design information.

## Rod Ends - Steel - PTFE Lined

| Part Number        | Eye Size (B) mm<br><i>inches</i> | Thread Size /<br>Type mm<br><i>inches</i> | Widths<br>(G/W/X/K) mm<br><i>inches</i> | Housing Dia.<br>(D) mm<br><i>inches</i> | Height (H) mm<br><i>inches</i> | Centre Height<br>(F) mm<br><i>inches</i> | Ball / Body /<br>Seat  | Thread Depth<br>(A) mm<br><i>inches</i> | Grease Nipple |
|--------------------|----------------------------------|---|---|---|--------------------------------|--|--|---|---------------|
| # REF-16.00-R-T    | 16.00                            | M16 x 2.00<br>Female Right<br>Hand        | 15.00 / 21.00 /<br>22.00 / 27.00        | 38.00                                   | 83.00                          | 64.00                                    | SUJ2 Chrome<br>Steel / S35C<br>Steel / PTFE<br>Lined                     | 33.00                                   |               |
|                    | <i>0.630</i>                     |   |   | <i>1.496</i>                            | <i>3.268</i>                   | <i>2.520</i>                             |  | <i>1.299</i>                            |               |
| # BEF-16/LH        | 16.00                            | M16 Female Left<br>Hand                   | 15.00 / 21.00 /<br>22.00 / 27.00        | 42.00                                   | -                              | 64.00                                    | SUJ2 Chrome<br>Steel / S35C<br>Steel / PTFE<br>Lined                     | 28.00                                   | No            |
|                    | <i>0.630</i>                     |   |   | <i>1.654</i>                            |                                | <i>2.520</i>                             |  | <i>1.102</i>                            |               |
| # BEF-16/RH        | 16.00                            | M16 Female<br>Right Hand                  | 15.00 / 21.00 /<br>22.00 / 27.00        | 42.00                                   | -                              | 64.00                                    | SUJ2 Chrome<br>Steel / S35C<br>Steel / PTFE<br>Lined                     | 28.00                                   | No            |
|                    | <i>0.630</i>                     |   |   | <i>1.654</i>                            |                                | <i>2.520</i>                             |  | <i>1.102</i>                            |               |
| # REF-16.00-L-T    | 16.00                            | M16 x 2.00<br>Female Left<br>Hand         | 15.00 / 21.00 /<br>22.00 / 27.00        | 38.00                                   | 83.00                          | 64.00                                    | SUJ2 Chrome<br>Steel / S35C<br>Steel / PTFE<br>Lined                     | 33.00                                   |               |
|                    | <i>0.630</i>                     |   |   | <i>1.496</i>                            | <i>3.268</i>                   | <i>2.520</i>                             |  | <i>1.299</i>                            |               |
| # BEF-16X1.5/LH-SS | 16.00                            | M16 x 1.50<br>Female Left<br>Hand         | 15.00 / 21.00 /<br>22.00 / 27.00        | 42.00                                   | -                              | 64.00                                    | Stainless Steel<br>1.4412 /<br>Stainless Steel<br>1.4301 / PTFE<br>Lined | 28.00                                   | No            |
|                    | <i>0.630</i>                     |   |   | <i>1.654</i>                            |                                | <i>2.520</i>                             |  | <i>1.102</i>                            |               |
| # BEF-16X1.5/RH-SS | 16.00                            | M16 x 1.50<br>Female Right<br>Hand        | 15.00 / 21.00 /<br>22.00 / 27.00        | 42.00                                   | -                              | 64.00                                    | Stainless Steel<br>1.4412 /<br>Stainless Steel<br>1.4301 / PTFE<br>Lined | 28.00                                   | No            |
|                    | <i>0.630</i>                     |   |   | <i>1.654</i>                            |                                | <i>2.520</i>                             |  | <i>1.102</i>                            |               |

# Indicates item not stocked at time of printing - Please enquire for lead time

E&OE Pricing and all details subject to change without notice - Copyright Miniature Bearings Australia Pty Ltd

MBA Size Listings are a guide to sizes only and must not be solely relied on for critical design information.

## Rod Ends - Steel - PTFE Lined

| Part Number    | Eye Size (B) mm<br><i>inches</i> | Thread Size /<br>Type mm<br><i>inches</i> | Widths<br>(G/W/X/K) mm<br><i>inches</i> | Housing Dia.<br>(D) mm<br><i>inches</i> | Height (H) mm<br><i>inches</i> | Centre Height<br>(F) mm<br><i>inches</i> | Ball / Body /<br>Seat  | Thread Depth<br>(A) mm<br><i>inches</i> | Grease Nipple |
|----------------|----------------------------------|---|---|---|--------------------------------|--|--|---|---------------|
| # BEF-16/LH-SS | 16.00<br><i>0.630</i>            | M16 Female Left<br>Hand                   | 15.00 / 21.00 /<br>22.00 / 27.00        | 42.00<br><i>1.654</i>                   | -                              | 64.00<br><i>2.520</i>                    | Stainless Steel<br>1.4412 /<br>Stainless Steel<br>1.4301 / PTFE<br>Lined | 28.00<br><i>1.102</i>                   | No            |
| # EM-17/RH     | 17.00<br><i>0.669</i>            | M16 Male Right<br>Hand                    | 10.00 / 14.00 / -<br>/ -                | 44.00<br><i>1.732</i>                   | -                              | 69.00<br><i>2.717</i>                    | SUJ2 Chrome<br>Steel / S35C<br>Steel / PTFE<br>Lined                     | 40.00<br><i>1.575</i>                   | No            |
| # EM-17/LH     | 17.00<br><i>0.669</i>            | M16 Male Left<br>Hand                     | 10.00 / 14.00 / -<br>/ -                | 44.00<br><i>1.732</i>                   | -                              | 69.00<br><i>2.717</i>                    | SUJ2 Chrome<br>Steel / S35C<br>Steel / PTFE<br>Lined                     | 40.00<br><i>1.575</i>                   | No            |
| # EF-17/LH     | 17.00<br><i>0.669</i>            | M16 Female Left<br>Hand                   | 10.00 / 14.00 /<br>22.00 / 25.00        | 44.00<br><i>1.732</i>                   | -                              | 67.00<br><i>2.638</i>                    | SUJ2 Chrome<br>Steel / S35C<br>Steel / PTFE<br>Lined                     | 28.00<br><i>1.102</i>                   | No            |
| # EF-17/RH     | 17.00<br><i>0.669</i>            | M16 Female<br>Right Hand                  | 10.00 / 14.00 /<br>22.00 / 25.00        | 44.00<br><i>1.732</i>                   | -                              | 67.00<br><i>2.638</i>                    | SUJ2 Chrome<br>Steel / S35C<br>Steel / PTFE<br>Lined                     | 28.00<br><i>1.102</i>                   | No            |
| # BEF-18/RH    | 18.00<br><i>0.709</i>            | M18 x 1.50<br>Female Right<br>Hand        | 16.50 / 23.00 /<br>27.00 / 31.00        | 46.00<br><i>1.811</i>                   | -                              | 71.00<br><i>2.795</i>                    | SUJ2 Chrome<br>Steel / S35C<br>Steel / PTFE<br>Lined                     | 32.00<br><i>1.260</i>                   | No            |

# Indicates item not stocked at time of printing - Please enquire for lead time

E&OE Pricing and all details subject to change without notice - Copyright Miniature Bearings Australia Pty Ltd

MBA Size Listings are a guide to sizes only and must not be solely relied on for critical design information.

## Rod Ends - Steel - PTFE Lined

| Part Number | Eye Size (B) mm<br><i>inches</i> | Thread Size /<br>Type mm<br><i>inches</i> | Widths<br>(G/W/X/K) mm<br><i>inches</i> | Housing Dia.<br>(D) mm<br><i>inches</i> | Height (H) mm<br><i>inches</i> | Centre Height<br>(F) mm<br><i>inches</i> | Ball / Body /<br>Seat                                       | Thread Depth<br>(A) mm<br><i>inches</i> | Grease Nipple |
|-------------|----------------------------------|---|---|---|--------------------------------|--|---|---|---------------|
| # BEF-18/LH | 18.00                            | M18 x 1.50<br>Female Left<br>Hand         | 16.50 / 23.00 /<br>27.00 / 31.00        | 46.00                                   | -                              | 71.00                                    | SUJ2 Chrome<br>Steel / S35C<br>Steel / PTFE<br>Lined        | 32.00                                   | No            |
|             | <i>0.709</i>                     |   |   | <i>1.811</i>                            |                                | <i>2.795</i>                             |   | <i>1.260</i>                            |               |
| # SME18.45  | 18.00                            | M18 x 1.50 Male<br>Right Hand             | 16.50 / 23.00 / -<br>/ -                | 42.00                                   | 93.00                          | 72.00                                    | Stainless Steel /<br>Chrome Steel /<br>Uniflon®             | 44.00                                   | No            |
|             | <i>0.709</i>                     |   |   | <i>1.654</i>                            | <i>3.661</i>                   | <i>2.835</i>                             |   | <i>1.732</i>                            |               |
| # BEM-18/RH | 18.00                            | M18 x 1.50 Male<br>Right Hand             | 16.50 / 23.00 / -<br>/ -                | 46.00                                   | -                              | 72.00                                    | SUJ2 Chrome<br>Steel / S35C<br>Steel / PTFE<br>Lined        | 44.00                                   | No            |
|             | <i>0.709</i>                     |   |   | <i>1.811</i>                            |                                | <i>2.835</i>                             |   | <i>1.732</i>                            |               |
| # BEM-18/LH | 18.00                            | M18 x 1.50 Male<br>Left Hand              | 16.50 / 23.00 / -<br>/ -                | 46.00                                   | -                              | 72.00                                    | SUJ2 Chrome<br>Steel / S35C<br>Steel / PTFE<br>Lined        | 44.00                                   | No            |
|             | <i>0.709</i>                     |   |   | <i>1.811</i>                            |                                | <i>2.835</i>                             |   | <i>1.732</i>                            |               |
| # SFE18.45  | 18.00                            | M18 x 1.50<br>Female Right<br>Hand        | 16.50 / 23.00 /<br>27.00 / 31.00        | 42.00                                   | 92.00                          | 71.00                                    | Stainless Steel /<br>Chrome Steel /<br>Uniflon®             | 36.00                                   | No            |
|             | <i>0.709</i>                     |   |   | <i>1.654</i>                            | <i>3.622</i>                   | <i>2.795</i>                             |   | <i>1.417</i>                            |               |
| # SFE.00.18 | 18.00                            | M18 x 1.50<br>Female Right<br>Hand        | 16.50 / 23.00 /<br>27.00 / 31.00        | 42.00                                   | 92.00                          | 71.00                                    | High Carbon<br>Chrome Steel /<br>Chrome Steel /<br>Uniflon® | 36.00                                   | No            |
|             | <i>0.709</i>                     |   |   | <i>1.654</i>                            | <i>3.622</i>                   | <i>2.795</i>                             |   | <i>1.417</i>                            |               |

# Indicates item not stocked at time of printing - Please enquire for lead time

E&OE Pricing and all details subject to change without notice - Copyright Miniature Bearings Australia Pty Ltd

MBA Size Listings are a guide to sizes only and must not be solely relied on for critical design information.

## Rod Ends - Steel - PTFE Lined

| Part Number     | Eye Size (B) mm<br><i>inches</i> | Thread Size /<br>Type mm<br><i>inches</i> | Widths<br>(G/W/X/K) mm<br><i>inches</i> | Housing Dia.<br>(D) mm<br><i>inches</i> | Height (H) mm<br><i>inches</i> | Centre Height<br>(F) mm<br><i>inches</i> | Ball / Body /<br>Seat                                       | Thread Depth<br>(A) mm<br><i>inches</i> | Grease Nipple |
|-----------------|----------------------------------|---|---|---|--------------------------------|--|---|---|---------------|
| # SME.00.18     | 18.00                            | M18 x 1.50 Male<br>Right Hand             | 16.50 / 23.00 / -<br>/ -                | 42.00                                   | 93.00                          | 72.00                                    | High Carbon<br>Chrome Steel /<br>Chrome Steel /<br>Uniflon® | 44.00                                   | No            |
|                 | <i>0.709</i>                     |   |   | <i>1.654</i>                            | <i>3.661</i>                   | <i>2.835</i>                             |   | <i>1.732</i>                            |               |
| # REF-18.00-L-T | 18.00                            | M18 x 1.50<br>Female Left<br>Hand         | 17.00 / 23.00 /<br>27.00 / 31.00        | 42.00                                   | 92.00                          | 71.00                                    | SUJ2 Chrome<br>Steel / S35C<br>Steel / PTFE<br>Lined        | 36.00                                   |               |
|                 | <i>0.709</i>                     |   |   | <i>1.654</i>                            | <i>3.622</i>                   | <i>2.795</i>                             |   | <i>1.417</i>                            |               |
| # REF-18.00-R-T | 18.00                            | M18 x 1.50<br>Female Right<br>Hand        | 17.00 / 23.00 /<br>27.00 / 31.00        | 42.00                                   | 92.00                          | 71.00                                    | SUJ2 Chrome<br>Steel / S35C<br>Steel / PTFE<br>Lined        | 36.00                                   |               |
|                 | <i>0.709</i>                     |   |   | <i>1.654</i>                            | <i>3.622</i>                   | <i>2.795</i>                             |   | <i>1.417</i>                            |               |
| # REM-18.00-R-T | 18.00                            | M18 x 1.50 Male<br>Right Hand             | 17.00 / 23.00 / -<br>/ -                | 42.00                                   | 93.00                          | 72.00                                    | SUJ2 Chrome<br>Steel / S35C<br>Steel / PTFE<br>Lined        | 44.00                                   |               |
|                 | <i>0.709</i>                     |   |   | <i>1.654</i>                            | <i>3.661</i>                   | <i>2.835</i>                             |   | <i>1.732</i>                            |               |
| # REM-18.00-L-T | 18.00                            | M18 x 1.50 Male<br>Left Hand              | 17.00 / 23.00 / -<br>/ -                | 42.00                                   | 93.00                          | 72.00                                    | SUJ2 Chrome<br>Steel / S35C<br>Steel / PTFE<br>Lined        | 44.00                                   |               |
|                 | <i>0.709</i>                     |   |   | <i>1.654</i>                            | <i>3.661</i>                   | <i>2.835</i>                             |   | <i>1.732</i>                            |               |
| # REF-19.05-L-T | 19.05                            | 3/4-16 UNF<br>Female Left<br>Hand         | 17.45 / 22.23 /<br>25.40 / 28.58        | 44.45                                   | 95.25                          | 73.03                                    | SUJ2 Chrome<br>Steel / S35C<br>Steel / PTFE<br>Lined        | 44.45                                   |               |
|                 | <i>0.750</i>                     |   |   | <i>1.750</i>                            | <i>3.750</i>                   | <i>2.875</i>                             |   | <i>1.750</i>                            |               |

# Indicates item not stocked at time of printing - Please enquire for lead time

E&OE Pricing and all details subject to change without notice - Copyright Miniature Bearings Australia Pty Ltd

MBA Size Listings are a guide to sizes only and must not be solely relied on for critical design information.

## Rod Ends - Steel - PTFE Lined

| Part Number     | Eye Size (B) mm<br><i>inches</i> | Thread Size /<br>Type mm<br><i>inches</i>           | Widths<br>(G/W/X/K) mm<br><i>inches</i>           | Housing Dia.<br>(D) mm<br><i>inches</i> | Height (H) mm<br><i>inches</i> | Centre Height<br>(F) mm<br><i>inches</i> | Ball / Body /<br>Seat                                | Thread Depth<br>(A) mm<br><i>inches</i> | Grease Nipple |
|-----------------|----------------------------------|---|---|---|--------------------------------|--|--|---|---------------|
| # REM-19.05-R-T | 19.05<br><i>0.750</i>            | 3/4-16 UNF<br>Male Right Hand<br><i>inches</i>      | 17.45 / 22.23 / -<br>/ -<br><i>inches</i>         | 44.45<br><i>1.750</i>                   | 95.25<br><i>3.750</i>          | 73.03<br><i>2.875</i>                    | SUJ2 Chrome<br>Steel / S35C<br>Steel / PTFE<br>Lined | 44.45<br><i>1.750</i>                   |               |
| # REM-19.05-L-T | 19.05<br><i>0.750</i>            | 3/4-16 UNF<br>Male Left Hand<br><i>inches</i>       | 17.45 / 22.23 / -<br>/ -<br><i>inches</i>         | 44.45<br><i>1.750</i>                   | 95.25<br><i>3.750</i>          | 73.03<br><i>2.875</i>                    | SUJ2 Chrome<br>Steel / S35C<br>Steel / PTFE<br>Lined | 44.45<br><i>1.750</i>                   |               |
| # REF-19.05-R-T | 19.05<br><i>0.750</i>            | 3/4-16 UNF<br>Female Right<br>Hand<br><i>inches</i> | 17.45 / 22.23 /<br>25.40 / 28.58<br><i>inches</i> | 44.45<br><i>1.750</i>                   | 95.25<br><i>3.750</i>          | 73.03<br><i>2.875</i>                    | SUJ2 Chrome<br>Steel / S35C<br>Steel / PTFE<br>Lined | 44.45<br><i>1.750</i>                   |               |
| # EM-20/LH      | 20.00<br><i>0.787</i>            | M20 x 1.50 Male<br>Left Hand<br><i>inches</i>       | 12.00 / 16.00 / -<br>/ -<br><i>inches</i>         | 51.00<br><i>2.008</i>                   | -                              | 78.00<br><i>3.071</i>                    | SUJ2 Chrome<br>Steel / S35C<br>Steel / PTFE<br>Lined | 47.00<br><i>1.850</i>                   | No            |
| # EF-20/RH      | 20.00<br><i>0.787</i>            | M20 x 1.50<br>Female Right<br>Hand<br><i>inches</i> | 12.00 / 16.00 /<br>24.00 / 28.00<br><i>inches</i> | 51.00<br><i>2.008</i>                   | -                              | 77.00<br><i>3.031</i>                    | SUJ2 Chrome<br>Steel / S35C<br>Steel / PTFE<br>Lined | 33.00<br><i>1.299</i>                   | No            |
| # EF-20/LH      | 20.00<br><i>0.787</i>            | M20 x 1.50<br>Female Left<br>Hand<br><i>inches</i>  | 12.00 / 16.00 /<br>24.00 / 28.00<br><i>inches</i> | 51.00<br><i>2.008</i>                   | -                              | 77.00<br><i>3.031</i>                    | SUJ2 Chrome<br>Steel / S35C<br>Steel / PTFE<br>Lined | 33.00<br><i>1.299</i>                   | No            |

# Indicates item not stocked at time of printing - Please enquire for lead time

E&OE Pricing and all details subject to change without notice - Copyright Miniature Bearings Australia Pty Ltd

MBA Size Listings are a guide to sizes only and must not be solely relied on for critical design information.

## Rod Ends - Steel - PTFE Lined

| Part Number     | Eye Size (B) mm<br><i>inches</i> | Thread Size /<br>Type mm<br><i>inches</i> | Widths<br>(G/W/X/K) mm<br><i>inches</i> | Housing Dia.<br>(D) mm<br><i>inches</i> | Height (H) mm<br><i>inches</i> | Centre Height<br>(F) mm<br><i>inches</i> | Ball / Body /<br>Seat  | Thread Depth<br>(A) mm<br><i>inches</i> | Grease Nipple |
|-----------------|----------------------------------|---|---|---|--------------------------------|--|--|---|---------------|
| # EM-20/RH      | 20.00                            | M20 x 1.50 Male<br>Right Hand             | 12.00 / 16.00 / -<br>/ -                | 51.00                                   | -                              | 78.00                                    | SUJ2 Chrome<br>Steel / S35C<br>Steel / PTFE<br>Lined                     | 47.00                                   | No            |
|                 | <i>0.787</i>                     |   |   | <i>2.008</i>                            |                                | <i>3.071</i>                             |  | <i>1.850</i>                            |               |
| # REF-20.00-R-T | 20.00                            | M20 x 1.50<br>Female Right<br>Hand        | 18.00 / 25.00 /<br>32.00 / 37.00        | 46.00                                   | 100.00                         | 77.00                                    | SUJ2 Chrome<br>Steel / S35C<br>Steel / PTFE<br>Lined                     | 40.00                                   |               |
|                 | <i>0.787</i>                     |   |   | <i>1.811</i>                            | <i>3.937</i>                   | <i>3.031</i>                             |  | <i>1.575</i>                            |               |
| # BEM-20/LH     | 20.00                            | M20 x 1.50 Male<br>Left Hand              | 18.00 / 25.00 / -<br>/ -                | 50.00                                   | -                              | 78.00                                    | SUJ2 Chrome<br>Steel / S35C<br>Steel / PTFE<br>Lined                     | 47.00                                   | No            |
|                 | <i>0.787</i>                     |   |   | <i>1.969</i>                            |                                | <i>3.071</i>                             |  | <i>1.850</i>                            |               |
| # BEF-20/RH-SS  | 20.00                            | M20 x 1.50<br>Female Right<br>Hand        | 18.00 / 25.00 /<br>30.00 / 34.00        | 50.00                                   | -                              | 77.00                                    | Stainless Steel<br>1.4412 /<br>Stainless Steel<br>1.4301 / PTFE<br>Lined | 33.00                                   | No            |
|                 | <i>0.787</i>                     |   |   | <i>1.969</i>                            |                                | <i>3.031</i>                             |  | <i>1.299</i>                            |               |
| # BEF-20/RH     | 20.00                            | M20 x 1.50<br>Female Right<br>Hand        | 18.00 / 25.00 /<br>30.00 / 34.00        | 50.00                                   | -                              | 77.00                                    | SUJ2 Chrome<br>Steel / S35C<br>Steel / PTFE<br>Lined                     | 33.00                                   | No            |
|                 | <i>0.787</i>                     |   |   | <i>1.969</i>                            |                                | <i>3.031</i>                             |  | <i>1.299</i>                            |               |
| # BEF-20/LH-SS  | 20.00                            | M20 x 1.50<br>Female Left<br>Hand         | 18.00 / 25.00 /<br>30.00 / 34.00        | 50.00                                   | -                              | 77.00                                    | Stainless Steel<br>1.4412 /<br>Stainless Steel<br>1.4301 / PTFE<br>Lined | 33.00                                   | No            |
|                 | <i>0.787</i>                     |   |   | <i>1.969</i>                            |                                | <i>3.031</i>                             |  | <i>1.299</i>                            |               |

# Indicates item not stocked at time of printing - Please enquire for lead time

E&OE Pricing and all details subject to change without notice - Copyright Miniature Bearings Australia Pty Ltd

MBA Size Listings are a guide to sizes only and must not be solely relied on for critical design information.

## Rod Ends - Steel - PTFE Lined

| Part Number     | Eye Size (B) mm<br><i>inches</i> | Thread Size /<br>Type mm<br><i>inches</i> | Widths<br>(G/W/X/K) mm<br><i>inches</i> | Housing Dia.<br>(D) mm<br><i>inches</i> | Height (H) mm<br><i>inches</i> | Centre Height<br>(F) mm<br><i>inches</i> | Ball / Body /<br>Seat  | Thread Depth<br>(A) mm<br><i>inches</i> | Grease Nipple |
|-----------------|----------------------------------|---|---|---|--------------------------------|--|--|---|---------------|
| # REF-20.00-L-T | 20.00                            | M20 x 1.50<br>Female Left<br>Hand         | 18.00 / 25.00 /<br>32.00 / 37.00        | 46.00                                   | 100.00                         | 77.00                                    | SUJ2 Chrome<br>Steel / S35C<br>Steel / PTFE<br>Lined                     | 40.00                                   |               |
|                 | <i>0.787</i>                     |   |   | <i>1.811</i>                            | <i>3.937</i>                   | <i>3.031</i>                             |  | <i>1.575</i>                            |               |
| # REM-20.00-L-T | 20.00                            | M20 x 1.50 Male<br>Left Hand              | 18.00 / 25.00 / -<br>/ -                | 46.00                                   | 101.00                         | 78.00                                    | SUJ2 Chrome<br>Steel / S35C<br>Steel / PTFE<br>Lined                     | 47.00                                   |               |
|                 | <i>0.787</i>                     |   |   | <i>1.811</i>                            | <i>3.976</i>                   | <i>3.071</i>                             |  | <i>1.850</i>                            |               |
| # REM-20.00-R-T | 20.00                            | M20 x 1.50 Male<br>Right Hand             | 18.00 / 25.00 / -<br>/ -                | 46.00                                   | 101.00                         | 78.00                                    | SUJ2 Chrome<br>Steel / S35C<br>Steel / PTFE<br>Lined                     | 47.00                                   |               |
|                 | <i>0.787</i>                     |   |   | <i>1.811</i>                            | <i>3.976</i>                   | <i>3.071</i>                             |  | <i>1.850</i>                            |               |
| # BEM-20/RH-SS  | 20.00                            | M20 x 1.50 Male<br>Right Hand             | 18.00 / 25.00 / -<br>/ -                | 50.00                                   | -                              | 78.00                                    | Stainless Steel<br>1.4412 /<br>Stainless Steel<br>1.4301 / PTFE<br>Lined | 47.00                                   | No            |
|                 | <i>0.787</i>                     |   |   | <i>1.969</i>                            |                                | <i>3.071</i>                             |  | <i>1.850</i>                            |               |
| # BEM-20/RH     | 20.00                            | M20 x 1.50 Male<br>Right Hand             | 18.00 / 25.00 / -<br>/ -                | 50.00                                   | -                              | 78.00                                    | SUJ2 Chrome<br>Steel / S35C<br>Steel / PTFE<br>Lined                     | 47.00                                   | No            |
|                 | <i>0.787</i>                     |   |   | <i>1.969</i>                            |                                | <i>3.071</i>                             |  | <i>1.850</i>                            |               |
| # BEM-20/LH-SS  | 20.00                            | M20 x 1.50 Male<br>Left Hand              | 18.00 / 25.00 / -<br>/ -                | 50.00                                   | -                              | 78.00                                    | Stainless Steel<br>1.4412 /<br>Stainless Steel<br>1.4301 / PTFE<br>Lined | 47.00                                   | No            |
|                 | <i>0.787</i>                     |   |   | <i>1.969</i>                            |                                | <i>3.071</i>                             |  | <i>1.850</i>                            |               |

# Indicates item not stocked at time of printing - Please enquire for lead time

E&OE Pricing and all details subject to change without notice - Copyright Miniature Bearings Australia Pty Ltd

MBA Size Listings are a guide to sizes only and must not be solely relied on for critical design information.

## Rod Ends - Steel - PTFE Lined

| Part Number     | Eye Size (B) mm<br><i>inches</i> | Thread Size /<br>Type mm<br><i>inches</i> | Widths<br>(G/W/X/K) mm<br><i>inches</i> | Housing Dia.<br>(D) mm<br><i>inches</i> | Height (H) mm<br><i>inches</i> | Centre Height<br>(F) mm<br><i>inches</i> | Ball / Body /<br>Seat                                | Thread Depth<br>(A) mm<br><i>inches</i> | Grease Nipple |
|-----------------|----------------------------------|---|---|---|--------------------------------|--|--|---|---------------|
| # BEF-20/LH     | 20.00                            | M20 x 1.50<br>Female Left<br>Hand         | 18.00 / 25.00 /<br>30.00 / 34.00        | 50.00                                   | -                              | 77.00                                    | SUJ2 Chrome<br>Steel / S35C<br>Steel / PTFE<br>Lined | 33.00                                   | No            |
|                 | <i>0.787</i>                     |   |   | <i>1.969</i>                            |                                | <i>3.031</i>                             |  | <i>1.299</i>                            |               |
| # BEF-22/RH     | 22.00                            | M22 x 1.50<br>Female Right<br>Hand        | 20.00 / 28.00 /<br>32.00 / 38.00        | 54.00                                   | -                              | 84.00                                    | SUJ2 Chrome<br>Steel / S35C<br>Steel / PTFE<br>Lined | 37.00                                   | No            |
|                 | <i>0.866</i>                     |   |   | <i>2.126</i>                            |                                | <i>3.307</i>                             |  | <i>1.457</i>                            |               |
| # REF-22.00-L-T | 22.00                            | M22 x 1.50<br>Female Left<br>Hand         | 20.00 / 28.00 /<br>32.00 / 37.00        | 50.00                                   | 109.00                         | 84.00                                    | SUJ2 Chrome<br>Steel / S35C<br>Steel / PTFE<br>Lined | 43.00                                   |               |
|                 | <i>0.866</i>                     |   |   | <i>1.969</i>                            | <i>4.291</i>                   | <i>3.307</i>                             |  | <i>1.693</i>                            |               |
| # REF-22.00-R-T | 22.00                            | M22 x 1.50<br>Female Right<br>Hand        | 20.00 / 28.00 /<br>32.00 / 37.00        | 50.00                                   | 109.00                         | 84.00                                    | SUJ2 Chrome<br>Steel / S35C<br>Steel / PTFE<br>Lined | 43.00                                   |               |
|                 | <i>0.866</i>                     |   |   | <i>1.969</i>                            | <i>4.291</i>                   | <i>3.307</i>                             |  | <i>1.693</i>                            |               |
| # REM-22.00-L-T | 22.00                            | M22 x 1.50 Male<br>Left Hand              | 20.00 / 28.00 / -<br>/ -                | 50.00                                   | 109.00                         | 84.00                                    | SUJ2 Chrome<br>Steel / S35C<br>Steel / PTFE<br>Lined | 51.00                                   |               |
|                 | <i>0.866</i>                     |   |   | <i>1.969</i>                            | <i>4.291</i>                   | <i>3.307</i>                             |  | <i>2.008</i>                            |               |
| # REM-22.00-R-T | 22.00                            | M22 x 1.50 Male<br>Right Hand             | 20.00 / 28.00 / -<br>/ -                | 50.00                                   | 109.00                         | 84.00                                    | SUJ2 Chrome<br>Steel / S35C<br>Steel / PTFE<br>Lined | 51.00                                   |               |
|                 | <i>0.866</i>                     |   |   | <i>1.969</i>                            | <i>4.291</i>                   | <i>3.307</i>                             |  | <i>2.008</i>                            |               |

# Indicates item not stocked at time of printing - Please enquire for lead time

E&OE Pricing and all details subject to change without notice - Copyright Miniature Bearings Australia Pty Ltd

MBA Size Listings are a guide to sizes only and must not be solely relied on for critical design information.

## Rod Ends - Steel - PTFE Lined

| Part Number    | Eye Size (B) mm<br><i>inches</i> | Thread Size /<br>Type mm<br><i>inches</i>           | Widths<br>(G/W/X/K) mm<br><i>inches</i>           | Housing Dia.<br>(D) mm<br><i>inches</i> | Height (H) mm<br><i>inches</i> | Centre Height<br>(F) mm<br><i>inches</i> | Ball / Body /<br>Seat  | Thread Depth<br>(A) mm<br><i>inches</i> | Grease Nipple |
|----------------|----------------------------------|---|---|---|--------------------------------|--|--|---|---------------|
| # BEF-22/LH-SS | 22.00<br><i>0.866</i>            | M22 x 1.50<br>Female Left<br>Hand<br><i>inches</i>  | 20.00 / 28.00 /<br>32.00 / 38.00<br><i>inches</i> | 54.00<br><i>2.126</i>                   | -<br><i>inches</i>             | 84.00<br><i>3.307</i>                    | Stainless Steel<br>1.4412 /<br>Stainless Steel<br>1.4301 / PTFE<br>Lined | 37.00<br><i>1.457</i>                   | No            |
| # BEF-22/RH-SS | 22.00<br><i>0.866</i>            | M22 x 1.50<br>Female Right<br>Hand<br><i>inches</i> | 20.00 / 28.00 /<br>32.00 / 38.00<br><i>inches</i> | 54.00<br><i>2.126</i>                   | -<br><i>inches</i>             | 84.00<br><i>3.307</i>                    | Stainless Steel<br>1.4412 /<br>Stainless Steel<br>1.4301 / PTFE<br>Lined | 37.00<br><i>1.457</i>                   | No            |
| # BEM-22/RH-SS | 22.00<br><i>0.866</i>            | M22 x 1.50 Male<br>Right Hand<br><i>inches</i>      | 20.00 / 28.00 / -<br>/-<br><i>inches</i>          | 54.00<br><i>2.126</i>                   | -<br><i>inches</i>             | 84.00<br><i>3.307</i>                    | Stainless Steel<br>1.4412 /<br>Stainless Steel<br>1.4301 / PTFE<br>Lined | 51.00<br><i>2.008</i>                   | No            |
| # BEF-22/LH    | 22.00<br><i>0.866</i>            | M22 x 1.50<br>Female Left<br>Hand<br><i>inches</i>  | 20.00 / 28.00 /<br>32.00 / 38.00<br><i>inches</i> | 54.00<br><i>2.126</i>                   | -<br><i>inches</i>             | 84.00<br><i>3.307</i>                    | SUJ2 Chrome<br>Steel / S35C<br>Steel / PTFE<br>Lined                     | 37.00<br><i>1.457</i>                   | No            |
| # BEM-22/RH    | 22.00<br><i>0.866</i>            | M22 x 1.50 Male<br>Right Hand<br><i>inches</i>      | 20.00 / 28.00 / -<br>/-<br><i>inches</i>          | 54.00<br><i>2.126</i>                   | -<br><i>inches</i>             | 84.00<br><i>3.307</i>                    | SUJ2 Chrome<br>Steel / S35C<br>Steel / PTFE<br>Lined                     | 51.00<br><i>2.008</i>                   | No            |

# Indicates item not stocked at time of printing - Please enquire for lead time

E&OE Pricing and all details subject to change without notice - Copyright Miniature Bearings Australia Pty Ltd

MBA Size Listings are a guide to sizes only and must not be solely relied on for critical design information.

## Rod Ends - Steel - PTFE Lined

| Part Number    | Eye Size (B) mm<br><i>inches</i> | Thread Size /<br>Type mm<br><i>inches</i>           | Widths<br>(G/W/X/K) mm<br><i>inches</i>           | Housing Dia.<br>(D) mm<br><i>inches</i> | Height (H) mm<br><i>inches</i> | Centre Height<br>(F) mm<br><i>inches</i> | Ball / Body /<br>Seat  | Thread Depth<br>(A) mm<br><i>inches</i> | Grease Nipple |
|----------------|----------------------------------|---|---|---|--------------------------------|--|--|---|---------------|
| # BEM-22/LH-SS | 22.00<br><i>0.866</i>            | M22 x 1.50 Male<br>Left Hand<br><i>inches</i>       | 20.00 / 28.00 / -<br>/-<br><i>inches</i>          | 54.00<br><i>2.126</i>                   | -                              | 84.00<br><i>3.307</i>                    | Stainless Steel<br>1.4412 /<br>Stainless Steel<br>1.4301 / PTFE<br>Lined | 51.00<br><i>2.008</i>                   | No            |
| # BEM-22/LH    | 22.00<br><i>0.866</i>            | M22 x 1.50 Male<br>Left Hand<br><i>inches</i>       | 20.00 / 28.00 / -<br>/-<br><i>inches</i>          | 54.00<br><i>2.126</i>                   | -                              | 84.00<br><i>3.307</i>                    | SUJ2 Chrome<br>Steel / S35C<br>Steel / PTFE<br>Lined                     | 51.00<br><i>2.008</i>                   | No            |
| # EF-25/RH     | 25.00<br><i>0.984</i>            | M24 x 2.00<br>Female Right<br>Hand<br><i>inches</i> | 16.00 / 20.00 /<br>30.00 / 35.00<br><i>inches</i> | 62.00<br><i>2.441</i>                   | -                              | 94.00<br><i>3.701</i>                    | SUJ2 Chrome<br>Steel / S35C<br>Steel / PTFE<br>Lined                     | 42.00<br><i>1.654</i>                   | No            |
| # EM-25/RH     | 25.00<br><i>0.984</i>            | M24 x 2.00 Male<br>Right Hand<br><i>inches</i>      | 16.00 / 20.00 / -<br>/-<br><i>inches</i>          | 62.00<br><i>2.441</i>                   | -                              | 94.00<br><i>3.701</i>                    | SUJ2 Chrome<br>Steel / S35C<br>Steel / PTFE<br>Lined                     | 57.00<br><i>2.244</i>                   | No            |
| # EF-25/LH     | 25.00<br><i>0.984</i>            | M24 x 2.00<br>Female Left<br>Hand<br><i>inches</i>  | 16.00 / 20.00 /<br>30.00 / 35.00<br><i>inches</i> | 62.00<br><i>2.441</i>                   | -                              | 94.00<br><i>3.701</i>                    | SUJ2 Chrome<br>Steel / S35C<br>Steel / PTFE<br>Lined                     | 42.00<br><i>1.654</i>                   | No            |
| # EM-25/LH     | 25.00<br><i>0.984</i>            | M24 x 2.00 Male<br>Left Hand<br><i>inches</i>       | 16.00 / 20.00 / -<br>/-<br><i>inches</i>          | 62.00<br><i>2.441</i>                   | -                              | 94.00<br><i>3.701</i>                    | SUJ2 Chrome<br>Steel / S35C<br>Steel / PTFE<br>Lined                     | 57.00<br><i>2.244</i>                   | No            |

# Indicates item not stocked at time of printing - Please enquire for lead time

E&OE Pricing and all details subject to change without notice - Copyright Miniature Bearings Australia Pty Ltd

MBA Size Listings are a guide to sizes only and must not be solely relied on for critical design information.

## Rod Ends - Steel - PTFE Lined

| Part Number     | Eye Size (B) mm<br><i>inches</i> | Thread Size /<br>Type mm<br><i>inches</i> | Widths<br>(G/W/X/K) mm<br><i>inches</i> | Housing Dia.<br>(D) mm<br><i>inches</i> | Height (H) mm<br><i>inches</i> | Centre Height<br>(F) mm<br><i>inches</i> | Ball / Body /<br>Seat  | Thread Depth<br>(A) mm<br><i>inches</i> | Grease Nipple |
|-----------------|----------------------------------|---|---|---|--------------------------------|--|--|---|---------------|
| # BEM-25/RH     | 25.00                            | M24 x 2.00 Male<br>Right Hand             | 22.00 / 31.00 / -<br>/ -                | 60.00                                   | -                              | 94.00                                    | SUJ2 Chrome<br>Steel / S35C<br>Steel / PTFE<br>Lined                     | 57.00                                   | No            |
|                 | <i>0.984</i>                     |   |   | <i>2.362</i>                            |                                | <i>3.701</i>                             |  | <i>2.244</i>                            |               |
| # REF-25.00-L-T | 25.00                            | M24 x 2.00<br>Female Left<br>Hand         | 22.00 / 31.00 /<br>36.00 / 42.00        | 56.00                                   | 122.00                         | 94.00                                    | SUJ2 Chrome<br>Steel / S35C<br>Steel / PTFE<br>Lined                     | 48.00                                   |               |
|                 | <i>0.984</i>                     |   |   | <i>2.205</i>                            | <i>4.803</i>                   | <i>3.701</i>                             |  | <i>1.890</i>                            |               |
| # REM-25.00-L-T | 25.00                            | M24 x 2.00 Male<br>Left Hand              | 22.00 / 31.00 / -<br>/ -                | 56.00                                   | 122.00                         | 94.00                                    | SUJ2 Chrome<br>Steel / S35C<br>Steel / PTFE<br>Lined                     | 57.00                                   |               |
|                 | <i>0.984</i>                     |   |   | <i>2.205</i>                            | <i>4.803</i>                   | <i>3.701</i>                             |  | <i>2.244</i>                            |               |
| # BEM-25/RH-SS  | 25.00                            | M24 x 2.00 Male<br>Right Hand             | 22.00 / 31.00 / -<br>/ -                | 60.00                                   | -                              | 94.00                                    | Stainless Steel<br>1.4412 /<br>Stainless Steel<br>1.4301 / PTFE<br>Lined | 57.00                                   | No            |
|                 | <i>0.984</i>                     |   |   | <i>2.362</i>                            |                                | <i>3.701</i>                             |  | <i>2.244</i>                            |               |
| # REM-25.00-R-T | 25.00                            | M24 x 2.00 Male<br>Right Hand             | 22.00 / 31.00 / -<br>/ -                | 56.00                                   | 122.00                         | 94.00                                    | SUJ2 Chrome<br>Steel / S35C<br>Steel / PTFE<br>Lined                     | 57.00                                   |               |
|                 | <i>0.984</i>                     |   |   | <i>2.205</i>                            | <i>4.803</i>                   | <i>3.701</i>                             |  | <i>2.244</i>                            |               |
| # BEF-25/LH     | 25.00                            | M24 x 2.00<br>Female Left<br>Hand         | 22.00 / 31.00 /<br>36.00 / 42.00        | 60.00                                   | -                              | 94.00                                    | SUJ2 Chrome<br>Steel / S35C<br>Steel / PTFE<br>Lined                     | 42.00                                   | No            |
|                 | <i>0.984</i>                     |   |   | <i>2.362</i>                            |                                | <i>3.701</i>                             |  | <i>1.654</i>                            |               |

# Indicates item not stocked at time of printing - Please enquire for lead time

E&OE Pricing and all details subject to change without notice - Copyright Miniature Bearings Australia Pty Ltd

MBA Size Listings are a guide to sizes only and must not be solely relied on for critical design information.

## Rod Ends - Steel - PTFE Lined

| Part Number    | Eye Size (B) mm<br><i>inches</i> | Thread Size /<br>Type mm<br><i>inches</i> | Widths<br>(G/W/X/K) mm<br><i>inches</i> | Housing Dia.<br>(D) mm<br><i>inches</i> | Height (H) mm<br><i>inches</i> | Centre Height<br>(F) mm<br><i>inches</i> | Ball / Body /<br>Seat  | Thread Depth<br>(A) mm<br><i>inches</i> | Grease Nipple |
|----------------|----------------------------------|---|---|---|--------------------------------|--|--|---|---------------|
| # BEF-25/LH-SS | 25.00                            | M24 x 2.00<br>Female Left<br>Hand         | 22.00 / 31.00 /<br>36.00 / 42.00        | 60.00                                   | -                              | 94.00                                    | Stainless Steel<br>1.4412 /<br>Stainless Steel<br>1.4301 / PTFE<br>Lined | 42.00                                   | No            |
|                | <i>0.984</i>                     |   |   | <i>2.362</i>                            |                                | <i>3.701</i>                             |  | <i>1.654</i>                            |               |
| # BEF-25/RH    | 25.00                            | M24 x 2.00<br>Female Right<br>Hand        | 22.00 / 31.00 /<br>36.00 / 42.00        | 60.00                                   | -                              | 94.00                                    | SUJ2 Chrome<br>Steel / S35C<br>Steel / PTFE<br>Lined                     | 42.00                                   | No            |
|                | <i>0.984</i>                     |   |   | <i>2.362</i>                            |                                | <i>3.701</i>                             |  | <i>1.654</i>                            |               |
| # BEF-25/RH-SS | 25.00                            | M24 x 2.00<br>Female Right<br>Hand        | 22.00 / 31.00 /<br>36.00 / 42.00        | 60.00                                   | -                              | 94.00                                    | Stainless Steel<br>1.4412 /<br>Stainless Steel<br>1.4301 / PTFE<br>Lined | 42.00                                   | No            |
|                | <i>0.984</i>                     |   |   | <i>2.362</i>                            |                                | <i>3.701</i>                             |  | <i>1.654</i>                            |               |
| # BEM-25/LH-SS | 25.00                            | M24 x 2.00 Male<br>Left Hand              | 22.00 / 31.00 / -<br>/ -                | 60.00                                   | -                              | 94.00                                    | Stainless Steel<br>1.4412 /<br>Stainless Steel<br>1.4301 / PTFE<br>Lined | 57.00                                   | No            |
|                | <i>0.984</i>                     |   |   | <i>2.362</i>                            |                                | <i>3.701</i>                             |  | <i>2.244</i>                            |               |
| # BEM-25/LH    | 25.00                            | M24 x 2.00 Male<br>Left Hand              | 22.00 / 31.00 / -<br>/ -                | 60.00                                   | -                              | 94.00                                    | SUJ2 Chrome<br>Steel / S35C<br>Steel / PTFE<br>Lined                     | 57.00                                   | No            |
|                | <i>0.984</i>                     |   |   | <i>2.362</i>                            |                                | <i>3.701</i>                             |  | <i>2.244</i>                            |               |

# Indicates item not stocked at time of printing - Please enquire for lead time

E&OE Pricing and all details subject to change without notice - Copyright Miniature Bearings Australia Pty Ltd

MBA Size Listings are a guide to sizes only and must not be solely relied on for critical design information.

## Rod Ends - Steel - PTFE Lined

| Part Number     | Eye Size (B) mm<br><i>inches</i> | Thread Size /<br>Type mm<br><i>inches</i> | Widths<br>(G/W/X/K) mm<br><i>inches</i>           | Housing Dia.<br>(D) mm<br><i>inches</i> | Height (H) mm<br><i>inches</i> | Centre Height<br>(F) mm<br><i>inches</i> | Ball / Body /<br>Seat                                | Thread Depth<br>(A) mm<br><i>inches</i> | Grease Nipple |
|-----------------|----------------------------------|---|---|---|--------------------------------|--|--|---|---------------|
| # REF-25.00-R-T | 25.00<br><i>0.984</i>            | M24 x 2.00<br>Female Right<br>Hand        | 22.00 / 31.00 /<br>36.00 / 42.00<br><i>inches</i> | 56.00<br><i>2.205</i>                   | 122.00<br><i>4.803</i>         | 94.00<br><i>3.701</i>                    | SUJ2 Chrome<br>Steel / S35C<br>Steel / PTFE<br>Lined | 48.00<br><i>1.890</i>                   |               |
| # REM-25.40-L-T | 25.40<br><i>1.000</i>            | 1.1/4-12 UNF<br>Male Left Hand            | 24.50 / 34.90 / -<br>/ -<br><i>inches</i>         | 67.00<br><i>2.638</i>                   | 143.50<br><i>5.650</i>         | 110.00<br><i>4.331</i>                   | SUJ2 Chrome<br>Steel / S35C<br>Steel / PTFE<br>Lined | 66.00<br><i>2.598</i>                   |               |
| # REF-25.40-L-T | 25.40<br><i>1.000</i>            | 1.1/4-12 UNF<br>Female Left<br>Hand       | 24.50 / 34.90 /<br>38.10 / 47.00<br><i>inches</i> | 67.00<br><i>2.638</i>                   | 143.50<br><i>5.650</i>         | 110.00<br><i>4.331</i>                   | SUJ2 Chrome<br>Steel / S35C<br>Steel / PTFE<br>Lined | 55.30<br><i>2.177</i>                   |               |
| # REF-25.40-R-T | 25.40<br><i>1.000</i>            | 1.1/4-12 UNF<br>Female Right<br>Hand      | 24.50 / 34.90 /<br>38.10 / 47.00<br><i>inches</i> | 67.00<br><i>2.638</i>                   | 143.50<br><i>5.650</i>         | 110.00<br><i>4.331</i>                   | SUJ2 Chrome<br>Steel / S35C<br>Steel / PTFE<br>Lined | 55.30<br><i>2.177</i>                   |               |
| # REM-25.40-R-T | 25.40<br><i>1.000</i>            | 1.1/4-12 UNF<br>Male Right Hand           | 24.50 / 34.90 / -<br>/ -<br><i>inches</i>         | 67.00<br><i>2.638</i>                   | 143.50<br><i>5.650</i>         | 110.00<br><i>4.331</i>                   | SUJ2 Chrome<br>Steel / S35C<br>Steel / PTFE<br>Lined | 66.00<br><i>2.598</i>                   |               |
| # EF-30/LH      | 30.00<br><i>1.181</i>            | M30 x 2.00<br>Female Left<br>Hand         | 18.00 / 22.00 /<br>36.00 / 42.00<br><i>inches</i> | 70.00<br><i>2.756</i>                   | -                              | 110.00<br><i>4.331</i>                   | SUJ2 Chrome<br>Steel / S35C<br>Steel / PTFE<br>Lined | 51.00<br><i>2.008</i>                   | No            |

# Indicates item not stocked at time of printing - Please enquire for lead time

E&OE Pricing and all details subject to change without notice - Copyright Miniature Bearings Australia Pty Ltd

MBA Size Listings are a guide to sizes only and must not be solely relied on for critical design information.

## Rod Ends - Steel - PTFE Lined

| Part Number | Eye Size (B) mm<br><i>inches</i> | Thread Size /<br>Type mm<br><i>inches</i> | Widths<br>(G/W/X/K) mm<br><i>inches</i> | Housing Dia.<br>(D) mm<br><i>inches</i> | Height (H) mm<br><i>inches</i> | Centre Height<br>(F) mm<br><i>inches</i> | Ball / Body /<br>Seat                                | Thread Depth<br>(A) mm<br><i>inches</i> | Grease Nipple |
|-------------|----------------------------------|---|---|---|--------------------------------|--|--|---|---------------|
| # EM-30/LH  | 30.00                            | M30 x 2.00 Male<br>Left Hand              | 18.00 / 22.00 / -<br>/ -                | 70.00                                   | -                              | 110.00                                   | SUJ2 Chrome<br>Steel / S35C<br>Steel / PTFE<br>Lined | 66.00                                   | No            |
|             | <i>1.181</i>                     |   |   | <i>2.756</i>                            |                                | <i>4.331</i>                             |  | <i>2.598</i>                            |               |
| # EF-30/RH  | 30.00                            | M30 x 2.00<br>Female Right<br>Hand        | 18.00 / 22.00 /<br>36.00 / 42.00        | 70.00                                   | -                              | 110.00                                   | SUJ2 Chrome<br>Steel / S35C<br>Steel / PTFE<br>Lined | 51.00                                   | No            |
|             | <i>1.181</i>                     |   |   | <i>2.756</i>                            |                                | <i>4.331</i>                             |  | <i>2.008</i>                            |               |
| # EM-30/RH  | 30.00                            | M30 x 2.00 Male<br>Right Hand             | 18.00 / 22.00 / -<br>/ -                | 70.00                                   | -                              | 110.00                                   | SUJ2 Chrome<br>Steel / S35C<br>Steel / PTFE<br>Lined | 66.00                                   | No            |
|             | <i>1.181</i>                     |   |   | <i>2.756</i>                            |                                | <i>4.331</i>                             |  | <i>2.598</i>                            |               |
| # BEF-30/RH | 30.00                            | M30 x 2.00<br>Female Right<br>Hand        | 25.00 / 37.00 /<br>41.00 / 50.00        | 70.00                                   | -                              | 110.00                                   | SUJ2 Chrome<br>Steel / S35C<br>Steel / PTFE<br>Lined | 51.00                                   | No            |
|             | <i>1.181</i>                     |   |   | <i>2.756</i>                            |                                | <i>4.331</i>                             |  | <i>2.008</i>                            |               |
| # BEM-30/LH | 30.00                            | M30 x 2.00 Male<br>Left Hand              | 25.00 / 37.00 / -<br>/ -                | 70.00                                   | -                              | 110.00                                   | SUJ2 Chrome<br>Steel / S35C<br>Steel / PTFE<br>Lined | 66.00                                   | No            |
|             | <i>1.181</i>                     |   |   | <i>2.756</i>                            |                                | <i>4.331</i>                             |  | <i>2.598</i>                            |               |
| # BEF-30/LH | 30.00                            | M30 x 2.00<br>Female Left<br>Hand         | 25.00 / 37.00 /<br>41.00 / 50.00        | 70.00                                   | -                              | 110.00                                   | SUJ2 Chrome<br>Steel / S35C<br>Steel / PTFE<br>Lined | 51.00                                   | No            |
|             | <i>1.181</i>                     |   |   | <i>2.756</i>                            |                                | <i>4.331</i>                             |  | <i>2.008</i>                            |               |

# Indicates item not stocked at time of printing - Please enquire for lead time

E&OE Pricing and all details subject to change without notice - Copyright Miniature Bearings Australia Pty Ltd

MBA Size Listings are a guide to sizes only and must not be solely relied on for critical design information.

## Rod Ends - Steel - PTFE Lined

| Part Number     | Eye Size (B) mm<br><i>inches</i> | Thread Size /<br>Type mm<br><i>inches</i> | Widths<br>(G/W/X/K) mm<br><i>inches</i> | Housing Dia.<br>(D) mm<br><i>inches</i> | Height (H) mm<br><i>inches</i> | Centre Height<br>(F) mm<br><i>inches</i> | Ball / Body /<br>Seat                                | Thread Depth<br>(A) mm<br><i>inches</i> | Grease Nipple |
|-----------------|----------------------------------|---|---|---|--------------------------------|--|--|---|---------------|
| # BEM-30/RH     | 30.00                            | M30 x 2.00 Male<br>Right Hand             | 25.00 / 37.00 / -<br>/ -                | 70.00                                   | -                              | 110.00                                   | SUJ2 Chrome<br>Steel / S35C<br>Steel / PTFE<br>Lined | 66.00                                   | No            |
|                 | <i>1.181</i>                     |   |   | <i>2.756</i>                            |                                | <i>4.331</i>                             |  | <i>2.598</i>                            |               |
| # REF-30.00-L-T | 30.00                            | M30 x 2.00<br>Female Left<br>Hand         | 26.00 / 37.00 /<br>41.00 / 50.00        | 67.00                                   | 143.50                         | 110.00                                   | SUJ2 Chrome<br>Steel / S35C<br>Steel / PTFE<br>Lined | 56.00                                   |               |
|                 | <i>1.181</i>                     |   |   | <i>2.638</i>                            | <i>5.650</i>                   | <i>4.331</i>                             |  | <i>2.205</i>                            |               |
| # REF-30.00-R-T | 30.00                            | M30 x 2.00<br>Female Right<br>Hand        | 26.00 / 37.00 /<br>41.00 / 50.00        | 67.00                                   | 143.50                         | 110.00                                   | SUJ2 Chrome<br>Steel / S35C<br>Steel / PTFE<br>Lined | 56.00                                   |               |
|                 | <i>1.181</i>                     |   |   | <i>2.638</i>                            | <i>5.650</i>                   | <i>4.331</i>                             |  | <i>2.205</i>                            |               |
| # REM-30.00-R-T | 30.00                            | M30 x 2.00 Male<br>Right Hand             | 26.00 / 37.00 / -<br>/ -                | 67.00                                   | 143.50                         | 110.00                                   | SUJ2 Chrome<br>Steel / S35C<br>Steel / PTFE<br>Lined | 66.00                                   |               |
|                 | <i>1.181</i>                     |   |   | <i>2.638</i>                            | <i>5.650</i>                   | <i>4.331</i>                             |  | <i>2.598</i>                            |               |
| # REM-30.00-L-T | 30.00                            | M30 x 2.00 Male<br>Left Hand              | 26.00 / 37.00 / -<br>/ -                | 67.00                                   | 143.50                         | 110.00                                   | SUJ2 Chrome<br>Steel / S35C<br>Steel / PTFE<br>Lined | 66.00                                   |               |
|                 | <i>1.181</i>                     |   |   | <i>2.638</i>                            | <i>5.650</i>                   | <i>4.331</i>                             |  | <i>2.598</i>                            |               |
| # EF-35/LH      | 35.00                            | M36 x 3.00<br>Female Left<br>Hand         | 20.00 / 25.00 /<br>41.00 / 50.00        | 82.00                                   | -                              | 125.00                                   | SUJ2 Chrome<br>Steel / S35C<br>Steel / PTFE<br>Lined | 36.00                                   | No            |
|                 | <i>1.378</i>                     |   |   | <i>3.228</i>                            |                                | <i>4.921</i>                             |  | <i>1.417</i>                            |               |

# Indicates item not stocked at time of printing - Please enquire for lead time

E&OE Pricing and all details subject to change without notice - Copyright Miniature Bearings Australia Pty Ltd

MBA Size Listings are a guide to sizes only and must not be solely relied on for critical design information.

## Rod Ends - Steel - PTFE Lined

| Part Number | Eye Size (B) mm<br><i>inches</i> | Thread Size /<br>Type mm<br><i>inches</i> | Widths<br>(G/W/X/K) mm<br><i>inches</i> | Housing Dia.<br>(D) mm<br><i>inches</i> | Height (H) mm<br><i>inches</i> | Centre Height<br>(F) mm<br><i>inches</i> | Ball / Body /<br>Seat                                | Thread Depth<br>(A) mm<br><i>inches</i> | Grease Nipple |
|-------------|----------------------------------|---|---|---|--------------------------------|--|--|---|---------------|
| # EF-35/RH  | 35.00                            | M36 x 3.00<br>Female Right<br>Hand        | 20.00 / 25.00 /<br>41.00 / 50.00        | 82.00                                   | -                              | 125.00                                   | SUJ2 Chrome<br>Steel / S35C<br>Steel / PTFE<br>Lined | 36.00                                   | No            |
|             | <i>1.378</i>                     |   |   | <i>3.228</i>                            |                                | <i>4.921</i>                             |  | <i>1.417</i>                            |               |
| # EM-35/LH  | 35.00                            | M36 x 3.00 Male<br>Left Hand              | 20.00 / 25.00 / -<br>/ -                | 82.00                                   | -                              | 140.00                                   | SUJ2 Chrome<br>Steel / S35C<br>Steel / PTFE<br>Lined | 92.00                                   | No            |
|             | <i>1.378</i>                     |   |   | <i>3.228</i>                            |                                | <i>5.512</i>                             |  | <i>3.622</i>                            |               |
| # EM-35/RH  | 35.00                            | M36 x 3.00 Male<br>Right Hand             | 20.00 / 25.00 / -<br>/ -                | 82.00                                   | -                              | 140.00                                   | SUJ2 Chrome<br>Steel / S35C<br>Steel / PTFE<br>Lined | 92.00                                   | No            |
|             | <i>1.378</i>                     |   |   | <i>3.228</i>                            |                                | <i>5.512</i>                             |  | <i>3.622</i>                            |               |
| # EF-40/RH  | 40.00                            | M42 x 3.00<br>Female Right<br>Hand        | 22.00 / 28.00 /<br>50.00 / 58.00        | 92.00                                   | -                              | 145.00                                   | SUJ2 Chrome<br>Steel / S35C<br>Steel / PTFE<br>Lined | 42.00                                   | No            |
|             | <i>1.575</i>                     |   |   | <i>3.622</i>                            |                                | <i>5.709</i>                             |  | <i>1.654</i>                            |               |
| # EM-40/RH  | 40.00                            | M42 x 3.00 Male<br>Right Hand             | 22.00 / 28.00 / -<br>/ -                | 92.00                                   | -                              | 145.00                                   | SUJ2 Chrome<br>Steel / S35C<br>Steel / PTFE<br>Lined | 94.00                                   | No            |
|             | <i>1.575</i>                     |   |   | <i>3.622</i>                            |                                | <i>5.709</i>                             |  | <i>3.701</i>                            |               |
| # EF-40/LH  | 40.00                            | M42 x 3.00<br>Female Left<br>Hand         | 22.00 / 28.00 /<br>50.00 / 58.00        | 92.00                                   | -                              | 145.00                                   | SUJ2 Chrome<br>Steel / S35C<br>Steel / PTFE<br>Lined | 42.00                                   | No            |
|             | <i>1.575</i>                     |   |   | <i>3.622</i>                            |                                | <i>5.709</i>                             |  | <i>1.654</i>                            |               |

# Indicates item not stocked at time of printing - Please enquire for lead time

E&OE Pricing and all details subject to change without notice - Copyright Miniature Bearings Australia Pty Ltd

MBA Size Listings are a guide to sizes only and must not be solely relied on for critical design information.

## Rod Ends - Steel - PTFE Lined

| Part Number | Eye Size (B) mm<br><i>inches</i> | Thread Size /<br>Type mm<br><i>inches</i> | Widths<br>(G/W/X/K) mm<br><i>inches</i> | Housing Dia.<br>(D) mm<br><i>inches</i> | Height (H) mm<br><i>inches</i> | Centre Height<br>(F) mm<br><i>inches</i> | Ball / Body /<br>Seat                                | Thread Depth<br>(A) mm<br><i>inches</i> | Grease Nipple |
|-------------|----------------------------------|---|---|---|--------------------------------|--|--|---|---------------|
| # EM-40/LH  | 40.00                            | M42 x 3.00 Male<br>Left Hand              | 22.00 / 28.00 / -<br>/ -                | 92.00                                   | -                              | 145.00                                   | SUJ2 Chrome<br>Steel / S35C<br>Steel / PTFE<br>Lined | 94.00                                   | No            |
|             | <i>1.575</i>                     |   |   | <i>3.622</i>                            |                                | <i>5.709</i>                             |  | <i>3.701</i>                            |               |
| # EM-45/RH  | 45.00                            | M45 x 3.00 Male<br>Right Hand             | 25.00 / 32.00 / -<br>/ -                | 102.00                                  | -                              | 165.00                                   | SUJ2 Chrome<br>Steel / S35C<br>Steel / PTFE<br>Lined | 100.00                                  | No            |
|             | <i>1.772</i>                     |   |   | <i>4.016</i>                            |                                | <i>6.496</i>                             |  | <i>3.937</i>                            |               |
| # EM-45/LH  | 45.00                            | M45 x 3.00 Male<br>Left Hand              | 25.00 / 32.00 / -<br>/ -                | 102.00                                  | -                              | 165.00                                   | SUJ2 Chrome<br>Steel / S35C<br>Steel / PTFE<br>Lined | 100.00                                  | No            |
|             | <i>1.772</i>                     |   |   | <i>4.016</i>                            |                                | <i>6.496</i>                             |  | <i>3.937</i>                            |               |
| # EF-45/RH  | 45.00                            | M45 x 3.00<br>Female Right<br>Hand        | 25.00 / 32.00 /<br>55.00 / 67.00        | 102.00                                  | -                              | 165.00                                   | SUJ2 Chrome<br>Steel / S35C<br>Steel / PTFE<br>Lined | 45.00                                   | No            |
|             | <i>1.772</i>                     |   |   | <i>4.016</i>                            |                                | <i>6.496</i>                             |  | <i>1.772</i>                            |               |
| # EF-45/LH  | 45.00                            | M45 x 3.00<br>Female Left<br>Hand         | 25.00 / 32.00 /<br>55.00 / 67.00        | 102.00                                  | -                              | 165.00                                   | SUJ2 Chrome<br>Steel / S35C<br>Steel / PTFE<br>Lined | 45.00                                   | No            |
|             | <i>1.772</i>                     |   |   | <i>4.016</i>                            |                                | <i>6.496</i>                             |  | <i>1.772</i>                            |               |
| # EM-50/LH  | 50.00                            | M52 x 3.00 Male<br>Left Hand              | 28.00 / 35.00 / -<br>/ -                | 112.00                                  | -                              | 195.00                                   | SUJ2 Chrome<br>Steel / S35C<br>Steel / PTFE<br>Lined | 120.00                                  | No            |
|             | <i>1.969</i>                     |   |   | <i>4.409</i>                            |                                | <i>7.677</i>                             |  | <i>4.724</i>                            |               |

# Indicates item not stocked at time of printing - Please enquire for lead time

E&OE Pricing and all details subject to change without notice - Copyright Miniature Bearings Australia Pty Ltd

MBA Size Listings are a guide to sizes only and must not be solely relied on for critical design information.

## Rod Ends - Steel - PTFE Lined

| Part Number | Eye Size (B) mm<br><i>inches</i> | Thread Size /<br>Type mm<br><i>inches</i> | Widths<br>(G/W/X/K) mm<br><i>inches</i> | Housing Dia.<br>(D) mm<br><i>inches</i> | Height (H) mm<br><i>inches</i> | Centre Height<br>(F) mm<br><i>inches</i> | Ball / Body /<br>Seat                                | Thread Depth<br>(A) mm<br><i>inches</i> | Grease Nipple |
|-------------|----------------------------------|---|---|---|--------------------------------|--|--|---|---------------|
| # EM-50/RH  | 50.00                            | M52 x 3.00 Male<br>Right Hand             | 28.00 / 35.00 / -<br>/ -                | 112.00                                  | -                              | 195.00                                   | SUJ2 Chrome<br>Steel / S35C<br>Steel / PTFE<br>Lined | 120.00                                  | No            |
|             | <i>1.969</i>                     |   |   | <i>4.409</i>                            |                                | <i>7.677</i>                             |  | <i>4.724</i>                            |               |
| # EF-50/RH  | 50.00                            | M52 x 3.00<br>Female Right<br>Hand        | 28.00 / 35.00 /<br>60.00 / 70.00        | 112.00                                  | -                              | 195.00                                   | SUJ2 Chrome<br>Steel / S35C<br>Steel / PTFE<br>Lined | 52.00                                   | No            |
|             | <i>1.969</i>                     |   |   | <i>4.409</i>                            |                                | <i>7.677</i>                             |  | <i>2.047</i>                            |               |
| # EF-50/LH  | 50.00                            | M52 x 3.00<br>Female Left<br>Hand         | 28.00 / 35.00 /<br>60.00 / 70.00        | 112.00                                  | -                              | 195.00                                   | SUJ2 Chrome<br>Steel / S35C<br>Steel / PTFE<br>Lined | 52.00                                   | No            |
|             | <i>1.969</i>                     |   |   | <i>4.409</i>                            |                                | <i>7.677</i>                             |  | <i>2.047</i>                            |               |
| # EM-60/RH  | 60.00                            | M60 x 4.00 Male<br>Right Hand             | 36.00 / 44.00 / -<br>/ -                | 135.00                                  | -                              | 225.00                                   | SUJ2 Chrome<br>Steel / S35C<br>Steel / PTFE<br>Lined | 140.00                                  | No            |
|             | <i>2.362</i>                     |   |   | <i>5.315</i>                            |                                | <i>8.858</i>                             |  | <i>5.512</i>                            |               |
| # EM-60/LH  | 60.00                            | M60 x 4.00 Male<br>Left Hand              | 36.00 / 44.00 / -<br>/ -                | 135.00                                  | -                              | 225.00                                   | SUJ2 Chrome<br>Steel / S35C<br>Steel / PTFE<br>Lined | 140.00                                  | No            |
|             | <i>2.362</i>                     |   |   | <i>5.315</i>                            |                                | <i>8.858</i>                             |  | <i>5.512</i>                            |               |
| # EF-60/LH  | 60.00                            | M60 x 4.00<br>Female Left<br>Hand         | 36.00 / 44.00 /<br>70.00 / 82.00        | 135.00                                  | -                              | 225.00                                   | SUJ2 Chrome<br>Steel / S35C<br>Steel / PTFE<br>Lined | 60.00                                   | No            |
|             | <i>2.362</i>                     |   |   | <i>5.315</i>                            |                                | <i>8.858</i>                             |  | <i>2.362</i>                            |               |

# Indicates item not stocked at time of printing - Please enquire for lead time

E&OE Pricing and all details subject to change without notice - Copyright Miniature Bearings Australia Pty Ltd

MBA Size Listings are a guide to sizes only and must not be solely relied on for critical design information.

## Rod Ends - Steel - PTFE Lined

| Part Number | Eye Size (B) mm<br><i>inches</i> | Thread Size /<br>Type mm<br><i>inches</i> | Widths<br>(G/W/X/K) mm<br><i>inches</i> | Housing Dia.<br>(D) mm<br><i>inches</i> | Height (H) mm<br><i>inches</i> | Centre Height<br>(F) mm<br><i>inches</i> | Ball / Body /<br>Seat                                | Thread Depth<br>(A) mm<br><i>inches</i> | Grease Nipple |
|-------------|----------------------------------|---|---|---|--------------------------------|--|--|---|---------------|
| # EF-60/RH  | 60.00                            | M60 x 4.00<br>Female Right<br>Hand        | 36.00 / 44.00 /<br>70.00 / 82.00        | 135.00                                  | -                              | 225.00                                   | SUJ2 Chrome<br>Steel / S35C<br>Steel / PTFE<br>Lined | 60.00                                   | No            |
|             | <i>2.362</i>                     |   |   | <i>5.315</i>                            |                                | <i>8.858</i>                             |  | <i>2.362</i>                            |               |

# Indicates item not stocked at time of printing - Please enquire for lead time

E&OE Pricing and all details subject to change without notice - Copyright Miniature Bearings Australia Pty Ltd

MBA Size Listings are a guide to sizes only and must not be solely relied on for critical design information.



DISTRIBUTED BY

Ask us to put your name and address here

<http://www.minibearings.com.au/product>

Ph +61 7 3245 7977

Fax +61 7 3245 1017

Catalogue requests to [catalogues@minibearings.com.au](mailto:catalogues@minibearings.com.au)

