



# MBA

## Rollers - Urethane Feed - With Hub

Urethane coated aluminium alloy feed rollers with hub.

Roller - Urethane 60 Durometer, Ground Outside Diameter

Sleeve - Aluminium

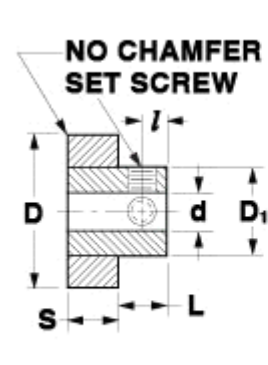


Fig. 1

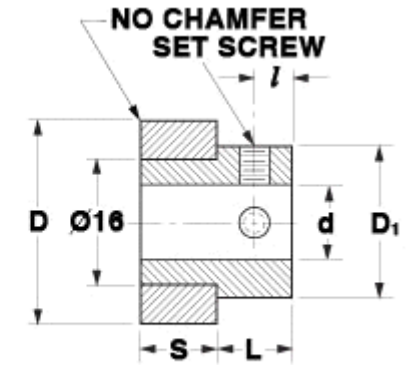


Fig. 2

## Rollers - Urethane Feed - With Hub

Part Number	OD (D) mm	Bore (d) mm	Width (s) mm	Hub Length (L) mm	Hub Diameter (D1) mm	Figure
	<i>inches</i>	<i>inches</i>	<i>inches</i>	<i>inches</i>	<i>inches</i>	
# A7T5MUR1405	14.000 <i>0.551</i>	5.000 <i>0.197</i>	6.350 <i>0.250</i>	6.350 <i>0.250</i>	11.10 <i>0.437</i>	1
# A7T5MUR1606	16.000 <i>0.630</i>	6.000 <i>0.236</i>	9.525 <i>0.375</i>	6.350 <i>0.250</i>	12.70 <i>0.500</i>	1
# A7T5MUR1905	19.000 <i>0.748</i>	5.000 <i>0.197</i>	6.350 <i>0.250</i>	6.350 <i>0.250</i>	11.10 <i>0.437</i>	1
# A7T5MUR1906	19.000 <i>0.748</i>	6.000 <i>0.236</i>	9.525 <i>0.375</i>	6.350 <i>0.250</i>	12.70 <i>0.500</i>	1

# Indicates item not stocked at time of printing - Please enquire for lead time

E&OE Pricing and all details subject to change without notice - Copyright Miniature Bearings Australia Pty Ltd

MBA Size Listings are a guide to sizes only and must not be solely relied on for critical design information.

## Rollers - Urethane Feed - With Hub

Part Number	OD (D) mm <i>inches</i>	Bore (d) mm <i>inches</i>	Width (s) mm <i>inches</i>	Hub Length (L) mm <i>inches</i>	Hub Diameter (D1) mm <i>inches</i>	Figure
# A7T5MUR2206	22.000 <i>0.866</i>	6.000 <i>0.236</i>	9.525 <i>0.375</i>	6.350 <i>0.250</i>	12.70 <i>0.500</i>	1
# A7T5MUR2510	25.000 <i>0.984</i>	10.000 <i>0.394</i>	9.000 <i>0.354</i>	9.520 <i>0.375</i>	19.05 <i>0.750</i>	2
# A7T5MUR3210	32.000 <i>1.260</i>	10.000 <i>0.394</i>	9.525 <i>0.375</i>	9.520 <i>0.375</i>	20.62 <i>0.812</i>	1
# A7T5MUR3810	38.000 <i>1.496</i>	10.000 <i>0.394</i>	9.525 <i>0.375</i>	9.520 <i>0.375</i>	25.40 <i>1.000</i>	1
# A7T5MUR3812	38.000 <i>1.496</i>	12.000 <i>0.472</i>	12.700 <i>0.500</i>	12.700 <i>0.500</i>	25.40 <i>1.000</i>	1
# A7T5MUR4412	44.000 <i>1.732</i>	12.000 <i>0.472</i>	12.700 <i>0.500</i>	12.700 <i>0.500</i>	31.75 <i>1.250</i>	1
# A7T5MUR5012	50.000 <i>1.969</i>	12.000 <i>0.472</i>	12.700 <i>0.500</i>	12.700 <i>0.500</i>	34.93 <i>1.375</i>	1

# Indicates item not stocked at time of printing - Please enquire for lead time

E&OE Pricing and all details subject to change without notice - Copyright Miniature Bearings Australia Pty Ltd

MBA Size Listings are a guide to sizes only and must not be solely relied on for critical design information.



DISTRIBUTED BY

Ask us to put your name and address here

<http://www.minibearings.com.au/product>

Ph +61 7 3245 7977

Fax +61 7 3245 1017

Catalogue requests to [catalogues@minibearings.com.au](mailto:catalogues@minibearings.com.au)

