



MBA

Rollers - Urethane Tyre

Urethane tyred bearings for escalators, elevators and more.
Hardness JIS A 95.

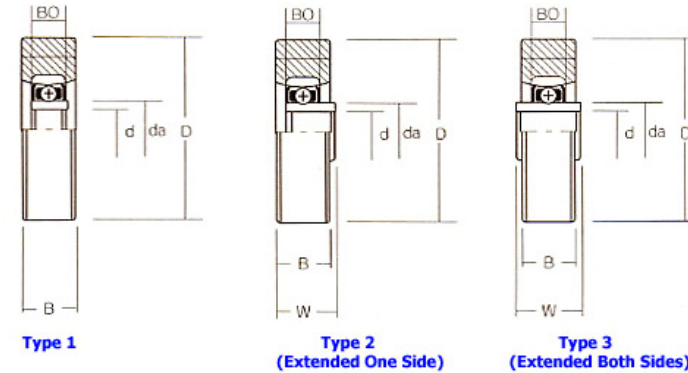
Used in escalators, elevators, travelators, forklifts, transfer machinery, robotics and much more.

3 designs available with or without integral spacers (extended inner rings).

Low resistance to esters, ketones, aromatic solvents, trichlenes and analines.

Excellent resistance to oil.

Avoid prolonged exposure to sunlight, moisture or high temperature.



	Load in N for each Diameter (1N = 0.1019716kgf) at speed shown												
	Ø20	Ø25	Ø30	Ø35	Ø40	Ø45	Ø50	Ø55	Ø60	Ø65	Ø70	Ø75	Ø80
rpm	N	N	N	N	N	N	N	N	N	N	N	N	N
200	75	109	196	265	372	480	568	608	637	686	735	892	980
220	73	105	190	257	361	465	549	588	617	666	715	866	954
240	69	102	184	249	349	449	529	568	598	647	696	841	928
260	67	99	178	241	337	433	510	549	578	627	676	815	902
280	65	96	172	233	325	417	490	529	559	608	657	790	876
300	63	93	167	225	314	402	470	510	539	588	637	764	850
320	62	91	161	218	302	386	451	490	519	568	617	739	823
340	61	90	155	210	290	370	431	470	500	549	598	713	798
360	60	88	149	202	278	355	412	451	480	529	578	688	771
380	59	87	143	194	267	339	392	431	461	510	559	662	746
400	58	86	137	186	255	323	372	412	441	490	539	637	719
420	57	85	131	178	243	308	353	392	421	470	519	612	693
440	57	82	125	171	231	292	333	372	402	451	500	586	667
460	56	81	120	163	220	276	314	353	382	431	480	561	641
480	55	80	114	155	208	261	294	333	363	412	461	535	615
500	55	79	108	147	196	245	274	314	343	392	441	510	589

Rollers - Urethane Tyre

Part Number	Outside Diameter (D) mm	Type	Inside Diameter (d) mm	Inner Ring Shoulder (da) mm	Roller Width (B) mm	Bearing Width (BO) mm	Overall Width (W) mm	Weight g
	<i>inches</i>		<i>inches</i>	<i>inches</i>	<i>inches</i>	<i>inches</i>	<i>inches</i>	
# BRV-20	20 (+0.2 / -0.2)	Type 2	6 (+0 / -0.02)	8.60	8 (+0 / -0.5)	5.00	9.50	6

Indicates item not stocked at time of printing - Please enquire for lead time

E&OE Pricing and all details subject to change without notice - Copyright Miniature Bearings Australia Pty Ltd

MBA Size Listings are a guide to sizes only and must not be solely relied on for critical design information.

Rollers - Urethane Tyre

Part Number	Outside Diameter (D) mm <i>inches</i>	Type	Inside Diameter (d) mm <i>inches</i>	Inner Ring Shoulder (da) mm <i>inches</i>	Roller Width (B) mm <i>inches</i>	Bearing Width (BO) mm <i>inches</i>	Overall Width (W) mm <i>inches</i>	Weight g
# BRVV-20	20 (+0.2 / -0.2)	Type 3	6 (+0 / -0.02)	8.60 <i>0.339</i>	8 (+0 / -0.5)	5.00 <i>0.197</i>	11.00 <i>0.433</i>	7
# BR-20	20 (+0.2 / -0.2)	Type 1	6 (+0 / -0.008)	8.60 <i>0.339</i>	8 (+0 / -0.5)	5.00 <i>0.197</i>	-	5
# BRV-25	25 (+0.2 / -0.2)	Type 2	6 (+0 / -0.02)	9.30 <i>0.366</i>	9 (+0 / -0.5)	6.00 <i>0.236</i>	10.50 <i>0.413</i>	11
# BRVV-25	25 (+0.2 / -0.2)	Type 3	6 (+0 / -0.02)	9.30 <i>0.366</i>	9 (+0 / -0.5)	6.00 <i>0.236</i>	12.00 <i>0.472</i>	12
# BR-25	25 (+0.2 / -0.2)	Type 1	6 (+0 / -0.008)	9.30 <i>0.366</i>	9 (+0 / -0.5)	6.00 <i>0.236</i>	-	10
# BRV-30	30 (+0.2 / -0.2)	Type 2	8 (+0 / -0.04)	12.00 <i>0.472</i>	11 (+0 / -0.5)	7.00 <i>0.276</i>	13.00 <i>0.512</i>	19
# BRVV-30	30 (+0.2 / -0.2)	Type 3	8 (+0 / -0.04)	12.00 <i>0.472</i>	11 (+0 / -0.5)	7.00 <i>0.276</i>	15.00 <i>0.591</i>	21
# BR-30	30 (+0.2 / -0.2)	Type 1	8 (+0 / -0.008)	12.00 <i>0.472</i>	11 (+0 / -0.5)	7.00 <i>0.276</i>	-	17
# BRV-35	35 (+0.2 / -0.2)	Type 2	8 (+0 / -0.04)	12.00 <i>0.472</i>	11 (+0 / -0.5)	7.00 <i>0.276</i>	13.00 <i>0.512</i>	22
# BRVV-35	35 (+0.2 / -0.2)	Type 3	8 (+0 / -0.04)	12.00 <i>0.472</i>	11 (+0 / -0.5)	7.00 <i>0.276</i>	15.00 <i>0.591</i>	24

Indicates item not stocked at time of printing - Please enquire for lead time

E&OE Pricing and all details subject to change without notice - Copyright Miniature Bearings Australia Pty Ltd

MBA Size Listings are a guide to sizes only and must not be solely relied on for critical design information.

Rollers - Urethane Tyre

Part Number	Outside Diameter (D) mm	Type	Inside Diameter (d) mm	Inner Ring Shoulder (da) mm	Roller Width (B) mm	Bearing Width (BO) mm	Overall Width (W) mm	Weight g
	<i>inches</i>		<i>inches</i>	<i>inches</i>	<i>inches</i>	<i>inches</i>	<i>inches</i>	
# BR-35	35 (+0.2 / -0.2)	Type 1	8 (+0 / -0.008)	12.00 <i>0.472</i>	11 (+0 / -0.5)	7.00 <i>0.276</i>	-	20
# BRV-40	40 (+0.2 / -0.2)	Type 2	10 (+0 / -0.04)	14.00 <i>0.551</i>	12 (+0 / -0.5)	8.00 <i>0.315</i>	14.00 <i>0.551</i>	32
# BRVV-40	40 (+0.2 / -0.2)	Type 3	10 (+0 / -0.04)	14.00 <i>0.551</i>	12 (+0 / -0.5)	8.00 <i>0.315</i>	16.00 <i>0.630</i>	34
# BR-40	40 (+0.2 / -0.2)	Type 1	10 (+0 / -0.008)	14.00 <i>0.551</i>	12 (+0 / -0.5)	8.00 <i>0.315</i>	-	30
# BRV-45	45 (+0.2 / -0.2)	Type 2	12 (+0.005 / -0.012)	18.30 <i>0.720</i>	14 (+0 / -0.5)	10.00 <i>0.394</i>	16.00 <i>0.630</i>	55
# BRVV-45	45 (+0.2 / -0.2)	Type 3	12 (+0.005 / -0.012)	18.30 <i>0.720</i>	14 (+0 / -0.5)	10.00 <i>0.394</i>	18.00 <i>0.709</i>	60
# BR-45	45 (+0.2 / -0.2)	Type 1	12 (+0 / -0.008)	18.30 <i>0.720</i>	14 (+0 / -0.5)	10.00 <i>0.394</i>	-	50
# BRV-50	50 (+0.2 / -0.2)	Type 2	12 (+0.005 / -0.012)	18.30 <i>0.720</i>	14 (+0 / -0.5)	10.00 <i>0.394</i>	16.00 <i>0.630</i>	61
# BRVV-50	50 (+0.2 / -0.2)	Type 3	12 (+0.005 / -0.012)	18.30 <i>0.720</i>	14 (+0 / -0.5)	10.00 <i>0.394</i>	18.00 <i>0.709</i>	66
# BR-50	50 (+0.2 / -0.2)	Type 1	12 (+0 / -0.008)	18.30 <i>0.720</i>	14 (+0 / -0.5)	10.00 <i>0.394</i>	-	56

Indicates item not stocked at time of printing - Please enquire for lead time

E&OE Pricing and all details subject to change without notice - Copyright Miniature Bearings Australia Pty Ltd

MBA Size Listings are a guide to sizes only and must not be solely relied on for critical design information.

Rollers - Urethane Tyre

Part Number	Outside Diameter (D) mm	Type	Inside Diameter (d) mm	Inner Ring Shoulder (da) mm	Roller Width (B) mm	Bearing Width (BO) mm	Overall Width (W) mm	Weight g
	<i>inches</i>		<i>inches</i>	<i>inches</i>	<i>inches</i>	<i>inches</i>	<i>inches</i>	
# BRV-55	55 (+0.2 / -0.2)	Type 2	15 (+0.005 / -0.012)	21.60 <i>0.850</i>	15 (+0 / -0.5)	11.00 <i>0.433</i>	17.00 <i>0.669</i>	76
# BRVV-55	55 (+0.2 / -0.2)	Type 3	15 (+0.005 / -0.012)	21.60 <i>0.850</i>	15 (+0 / -0.5)	11.00 <i>0.433</i>	19.00 <i>0.748</i>	82
# BR-55	55 (+0.2 / -0.2)	Type 1	15 (+0 / -0.008)	21.60 <i>0.850</i>	15 (+0 / -0.5)	11.00 <i>0.433</i>	-	70
# BRV-60	60 (+0.2 / -0.2)	Type 2	15 (+0.005 / -0.012)	21.60 <i>0.850</i>	15 (+0 / -0.5)	11.00 <i>0.433</i>	17.00 <i>0.669</i>	83
# BRVV-60	60 (+0.2 / -0.2)	Type 3	15 (+0.005 / -0.012)	21.60 <i>0.850</i>	15 (+0 / -0.5)	11.00 <i>0.433</i>	19.00 <i>0.748</i>	90
# BR-60	60 (+0.2 / -0.2)	Type 1	15 (+0 / -0.008)	21.60 <i>0.850</i>	15 (+0 / -0.5)	11.00 <i>0.433</i>	-	77
# BRV-65	65 (+0.2 / -0.2)	Type 2	17 (+0.005 / -0.012)	24.60 <i>0.969</i>	16 (+0 / -0.5)	12.00 <i>0.472</i>	18.00 <i>0.709</i>	112
# BRVV-65	65 (+0.2 / -0.2)	Type 3	17 (+0.005 / -0.012)	24.60 <i>0.969</i>	16 (+0 / -0.5)	12.00 <i>0.472</i>	20.00 <i>0.787</i>	120
# BR-65	65 (+0.2 / -0.2)	Type 1	17 (+0 / -0.008)	24.60 <i>0.969</i>	16 (+0 / -0.5)	12.00 <i>0.472</i>	-	104
# BRV-70	70 (+0.2 / -0.2)	Type 2	17 (+0.005 / -0.012)	24.60 <i>0.969</i>	16 (+0 / -0.5)	12.00 <i>0.472</i>	18.00 <i>0.709</i>	121

Indicates item not stocked at time of printing - Please enquire for lead time

E&OE Pricing and all details subject to change without notice - Copyright Miniature Bearings Australia Pty Ltd

MBA Size Listings are a guide to sizes only and must not be solely relied on for critical design information.

Rollers - Urethane Tyre

Part Number	Outside Diameter (D) mm	Type	Inside Diameter (d) mm	Inner Ring Shoulder (da) mm	Roller Width (B) mm	Bearing Width (BO) mm	Overall Width (W) mm	Weight g
	<i>inches</i>		<i>inches</i>	<i>inches</i>	<i>inches</i>	<i>inches</i>	<i>inches</i>	
# BRVV-70	70 (+0.2 / -0.2)	Type 3	17 (+0.005 / -0.012)	24.60 <i>0.969</i>	16 (+0 / -0.5)	12.00 <i>0.472</i>	20.00 <i>0.787</i>	130
# BR-70	70 (+0.2 / -0.2)	Type 1	17 (+0 / -0.008)	24.60 <i>0.969</i>	16 (+0 / -0.5)	12.00 <i>0.472</i>	-	113
# BRV-75	75 (+0.2 / -0.2)	Type 2	20 (+0.005 / -0.012)	29.30 <i>1.154</i>	18 (+0 / -0.5)	14.00 <i>0.551</i>	20.00 <i>0.787</i>	175
# BRVV-75	75 (+0.2 / -0.2)	Type 3	20 (+0.005 / -0.012)	29.30 <i>1.154</i>	18 (+0 / -0.5)	14.00 <i>0.551</i>	22.00 <i>0.866</i>	188
# BR-75	75 (+0.2 / -0.2)	Type 1	20 (+0 / -0.01)	29.30 <i>1.154</i>	18 (+0 / -0.5)	14.00 <i>0.551</i>	-	164
# BRV-80	80 (+0.2 / -0.2)	Type 2	20 (+0.005 / -0.012)	29.30 <i>1.154</i>	18 (+0 / -0.5)	14.00 <i>0.551</i>	20.00 <i>0.787</i>	187
# BRVV-80	80 (+0.2 / -0.2)	Type 3	20 (+0.005 / -0.012)	29.30 <i>1.154</i>	18 (+0 / -0.5)	14.00 <i>0.551</i>	22.00 <i>0.866</i>	199
# BR-80	80 (+0.2 / -0.2)	Type 1	20 (+0 / -0.01)	29.30 <i>1.154</i>	18 (+0 / -0.5)	14.00 <i>0.551</i>	-	176

Indicates item not stocked at time of printing - Please enquire for lead time

E&OE Pricing and all details subject to change without notice - Copyright Miniature Bearings Australia Pty Ltd

MBA Size Listings are a guide to sizes only and must not be solely relied on for critical design information.



DISTRIBUTED BY

Ask us to put your name and address here

<http://www.minibearings.com.au/product>

Ph +61 7 3245 7977

Fax +61 7 3245 1017

Catalogue requests to catalogues@minibearings.com.au

