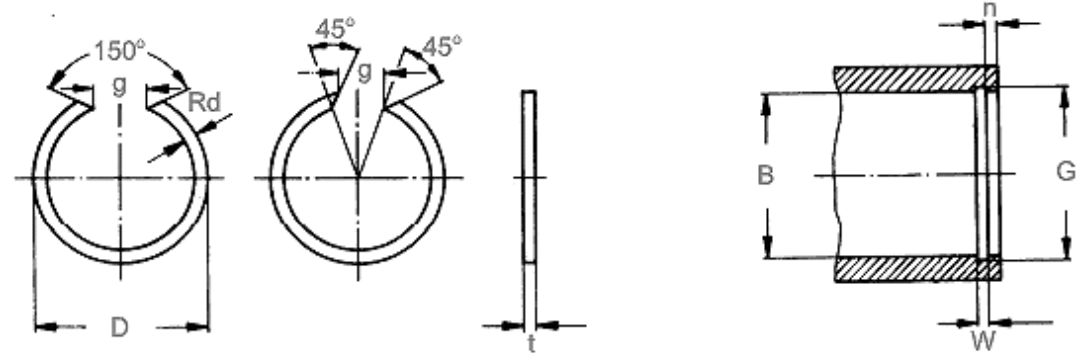




# MBA

## Snaprings - Internal - Basic



Clips have two possible edge types. If this is important to your application please check before ordering.

M2300 / SB / ESB.

Applications include gear systems, securing needle bearings and to act as spacers.

### Snaprings - Internal - Basic

Part Number	Bore (B) mm <i>inches</i>	Free Outside Dia. Max (D) mm <i>inches</i>	Radial Wall (Rd) mm <i>inches</i>	Thickness (t) mm <i>inches</i>	Groove Dia. (G) mm <i>inches</i>	Groove Width Min. (W) mm <i>inches</i>	Material
# DSB-007	7.00 <i>0.276</i>	7.50 <i>0.295</i>	0.90 - 1.00	0.70 - 0.80	7.30 - 7.39	0.90 <i>0.035</i>	Spring Steel
# DSB-008	8.00 <i>0.315</i>	8.50 <i>0.335</i>	0.90 - 1.00	0.70 - 0.80	8.30 - 8.39	0.90 <i>0.035</i>	Spring Steel
# DSB-009	9.00 <i>0.354</i>	9.50 <i>0.374</i>	1.00 - 1.10	0.70 - 0.80	9.30 - 9.39	0.90 <i>0.035</i>	Spring Steel
# DSB-010	10.00 <i>0.394</i>	10.60 <i>0.417</i>	1.10 - 1.20	0.70 - 0.80	10.40 - 10.49	0.90 <i>0.035</i>	Spring Steel

# Indicates item not stocked at time of printing - Please enquire for lead time

E&OE Pricing and all details subject to change without notice - Copyright Miniature Bearings Australia Pty Ltd

MBA Size Listings are a guide to sizes only and must not be solely relied on for critical design information.

## Snaprings - Internal - Basic

Part Number	Bore (B) mm <i>inches</i>	Free Outside Dia. Max (D) mm <i>inches</i>	Radial Wall (Rd) mm <i>inches</i>	Thickness (t) mm <i>inches</i>	Groove Dia. (G) mm <i>inches</i>	Groove Width Min. (W) mm <i>inches</i>	Material
# DSB-011	11.00 <i>0.433</i>	11.60 <i>0.457</i>	1.20 - 1.30	0.90 - 1.00	11.40 - 11.51	1.10 <i>0.043</i>	Spring Steel
# DSB-012	12.00 <i>0.472</i>	12.70 <i>0.500</i>	1.20 - 1.30	0.90 - 1.00	12.40 - 12.51	1.10 <i>0.043</i>	Spring Steel
# DSB-013	13.00 <i>0.512</i>	13.80 <i>0.543</i>	1.20 - 1.30	0.90 - 1.00	13.50 - 13.61	1.10 <i>0.043</i>	Spring Steel
# DSB-014	14.00 <i>0.551</i>	14.80 <i>0.583</i>	1.20 - 1.30	0.90 - 1.00	14.50 - 14.61	1.10 <i>0.043</i>	Spring Steel
# DSB-015	15.00 <i>0.591</i>	15.80 <i>0.622</i>	1.20 - 1.30	0.90 - 1.00	15.50 - 15.61	1.10 <i>0.043</i>	Spring Steel
# DSB-016	16.00 <i>0.630</i>	16.80 <i>0.661</i>	1.65 - 1.75	1.10 - 1.20	16.50 - 16.61	1.30 <i>0.051</i>	Spring Steel
# DSB-017	17.00 <i>0.669</i>	17.80 <i>0.701</i>	1.65 - 1.75	1.10 - 1.20	17.50 - 17.61	1.30 <i>0.051</i>	Spring Steel
# DSB-018	18.00 <i>0.709</i>	18.90 <i>0.744</i>	1.65 - 1.75	1.10 - 1.20	18.50 - 18.63	1.30 <i>0.051</i>	Spring Steel
# DSB-019	19.00 <i>0.748</i>	19.90 <i>0.783</i>	1.65 - 1.75	1.10 - 1.20	19.60 - 19.73	1.30 <i>0.051</i>	Spring Steel
# DSB-020	20.00 <i>0.787</i>	21.00 <i>0.827</i>	1.65 - 1.75	1.10 - 1.20	20.60 - 20.73	1.30 <i>0.051</i>	Spring Steel

# Indicates item not stocked at time of printing - Please enquire for lead time

E&OE Pricing and all details subject to change without notice - Copyright Miniature Bearings Australia Pty Ltd

MBA Size Listings are a guide to sizes only and must not be solely relied on for critical design information.

## Snaprings - Internal - Basic

Part Number	Bore (B) mm <i>inches</i>	Free Outside Dia. Max (D) mm <i>inches</i>	Radial Wall (Rd) mm <i>inches</i>	Thickness (t) mm <i>inches</i>	Groove Dia. (G) mm <i>inches</i>	Groove Width Min. (W) mm <i>inches</i>	Material
# DSB-021	21.00 <i>0.827</i>	22.00 <i>0.866</i>	1.65 - 1.75	1.10 - 1.20	21.60 - 21.73	1.30 <i>0.051</i>	Spring Steel
# DSB-022	22.00 <i>0.866</i>	23.00 <i>0.906</i>	1.65 - 1.75	1.10 - 1.20	22.60 - 22.73	1.30 <i>0.051</i>	Spring Steel
# DSB-023	23.00 <i>0.906</i>	24.00 <i>0.945</i>	1.65 - 1.75	1.10 - 1.20	23.60 - 23.73	1.30 <i>0.051</i>	Spring Steel
# DSB-024	24.00 <i>0.945</i>	25.20 <i>0.992</i>	1.65 - 1.75	1.10 - 1.20	24.80 - 24.93	1.30 <i>0.051</i>	Spring Steel
# DSB-025	25.00 <i>0.984</i>	26.20 <i>1.031</i>	1.65 - 1.75	1.10 - 1.20	25.80 - 25.93	1.30 <i>0.051</i>	Spring Steel
# DSB-026	26.00 <i>1.024</i>	27.20 <i>1.071</i>	1.65 - 1.75	1.10 - 1.20	26.80 - 26.93	1.30 <i>0.051</i>	Spring Steel
# DSB-027	27.00 <i>1.063</i>	28.20 <i>1.110</i>	1.65 - 1.75	1.10 - 1.20	27.80 - 27.93	1.30 <i>0.051</i>	Spring Steel
# DSB-028	28.00 <i>1.102</i>	29.20 <i>1.150</i>	1.65 - 1.75	1.10 - 1.20	28.80 - 28.93	1.30 <i>0.051</i>	Spring Steel
# DSB-029	29.00 <i>1.142</i>	30.20 <i>1.189</i>	1.65 - 1.75	1.10 - 1.20	29.80 - 29.93	1.30 <i>0.051</i>	Spring Steel
# DSB-030	30.00 <i>1.181</i>	31.40 <i>1.236</i>	2.20 - 2.30	1.40 - 1.50	31.00 - 31.16	1.60 <i>0.063</i>	Spring Steel

# Indicates item not stocked at time of printing - Please enquire for lead time

E&OE Pricing and all details subject to change without notice - Copyright Miniature Bearings Australia Pty Ltd

MBA Size Listings are a guide to sizes only and must not be solely relied on for critical design information.

## Snaprings - Internal - Basic

Part Number	Bore (B) mm <i>inches</i>	Free Outside Dia. Max (D) mm <i>inches</i>	Radial Wall (Rd) mm <i>inches</i>	Thickness (t) mm <i>inches</i>	Groove Dia. (G) mm <i>inches</i>	Groove Width Min. (W) mm <i>inches</i>	Material
# DSB-031	31.00 <i>1.220</i>	32.40 <i>1.276</i>	2.20 - 2.30	1.40 - 1.50	32.00 - 32.16	1.60 <i>0.063</i>	Spring Steel
# DSB-032	32.00 <i>1.260</i>	33.40 <i>1.315</i>	2.20 - 2.30	1.40 - 1.50	33.00 - 33.16	1.60 <i>0.063</i>	Spring Steel
# DSB-033	33.00 <i>1.299</i>	34.40 <i>1.354</i>	2.20 - 2.30	1.40 - 1.50	34.00 - 34.16	1.60 <i>0.063</i>	Spring Steel
# DSB-034	34.00 <i>1.339</i>	35.40 <i>1.394</i>	2.20 - 2.30	1.40 - 1.50	35.00 - 35.16	1.60 <i>0.063</i>	Spring Steel
# DSB-035	35.00 <i>1.378</i>	36.40 <i>1.433</i>	2.20 - 2.30	1.40 - 1.50	36.00 - 36.16	1.60 <i>0.063</i>	Spring Steel
# DSB-037	37.00 <i>1.457</i>	38.80 <i>1.528</i>	2.20 - 2.30	1.40 - 1.50	38.20 - 38.36	1.60 <i>0.063</i>	Spring Steel
# DSB-038	38.00 <i>1.496</i>	39.80 <i>1.567</i>	2.20 - 2.30	1.40 - 1.50	39.20 - 39.36	1.60 <i>0.063</i>	Spring Steel
# DSB-039	39.00 <i>1.535</i>	40.80 <i>1.606</i>	2.20 - 2.30	1.40 - 1.50	40.20 - 40.36	1.60 <i>0.063</i>	Spring Steel
# DSB-040	40.00 <i>1.575</i>	41.80 <i>1.646</i>	2.20 - 2.30	1.40 - 1.50	41.20 - 41.36	1.60 <i>0.063</i>	Spring Steel
# DSB-042	42.00 <i>1.654</i>	43.80 <i>1.724</i>	2.20 - 2.30	1.40 - 1.50	43.20 - 43.36	1.60 <i>0.063</i>	Spring Steel

# Indicates item not stocked at time of printing - Please enquire for lead time

E&OE Pricing and all details subject to change without notice - Copyright Miniature Bearings Australia Pty Ltd

MBA Size Listings are a guide to sizes only and must not be solely relied on for critical design information.

## Snaprings - Internal - Basic

Part Number	Bore (B) mm <i>inches</i>	Free Outside Dia. Max (D) mm <i>inches</i>	Radial Wall (Rd) mm <i>inches</i>	Thickness (t) mm <i>inches</i>	Groove Dia. (G) mm <i>inches</i>	Groove Width Min. (W) mm <i>inches</i>	Material
# DSB-043	43.00 <i>1.693</i>	44.80 <i>1.764</i>	2.20 - 2.30	1.40 - 1.50	44.20 - 44.36	1.60 <i>0.063</i>	Spring Steel
# DSB-044	44.00 <i>1.732</i>	45.80 <i>1.803</i>	2.20 - 2.30	1.40 - 1.50	45.20 - 45.36	1.60 <i>0.063</i>	Spring Steel
# DSB-045	45.00 <i>1.772</i>	46.80 <i>1.843</i>	2.20 - 2.30	1.40 - 1.50	46.20 - 46.36	1.60 <i>0.063</i>	Spring Steel
# DSB-046	46.00 <i>1.811</i>	47.80 <i>1.882</i>	2.20 - 2.30	1.40 - 1.50	47.20 - 47.36	1.60 <i>0.063</i>	Spring Steel
# DSB-047	47.00 <i>1.850</i>	48.80 <i>1.921</i>	2.20 - 2.30	1.40 - 1.50	48.20 - 48.36	1.60 <i>0.063</i>	Spring Steel
# DSB-048	48.00 <i>1.890</i>	49.80 <i>1.961</i>	2.20 - 2.30	1.40 - 1.50	49.20 - 49.36	1.60 <i>0.063</i>	Spring Steel
# DSB-050	50.00 <i>1.969</i>	51.80 <i>2.039</i>	2.20 - 2.30	1.40 - 1.50	51.20 - 51.39	1.60 <i>0.063</i>	Spring Steel
# DSB-052	52.00 <i>2.047</i>	54.30 <i>2.138</i>	2.20 - 2.30	1.40 - 1.50	53.50 - 53.69	1.60 <i>0.063</i>	Spring Steel
# DSB-053	53.00 <i>2.087</i>	55.30 <i>2.177</i>	2.20 - 2.30	1.40 - 1.50	54.50 - 54.69	1.60 <i>0.063</i>	Spring Steel
# DSB-055	55.00 <i>2.165</i>	57.30 <i>2.256</i>	2.20 - 2.30	1.40 - 1.50	56.50 - 56.69	1.60 <i>0.063</i>	Spring Steel

# Indicates item not stocked at time of printing - Please enquire for lead time

E&OE Pricing and all details subject to change without notice - Copyright Miniature Bearings Australia Pty Ltd

MBA Size Listings are a guide to sizes only and must not be solely relied on for critical design information.

## Snaprings - Internal - Basic

Part Number	Bore (B) mm <i>inches</i>	Free Outside Dia. Max (D) mm <i>inches</i>	Radial Wall (Rd) mm <i>inches</i>	Thickness (t) mm <i>inches</i>	Groove Dia. (G) mm <i>inches</i>	Groove Width Min. (W) mm <i>inches</i>	Material
# DSB-057	57.00 <i>2.244</i>	59.30 <i>2.335</i>	2.20 - 2.30	1.40 - 1.50	58.50 - 58.69	1.60 <i>0.063</i>	Spring Steel
# DSB-058	58.00 <i>2.283</i>	60.30 <i>2.374</i>	2.20 - 2.30	1.40 - 1.50	59.50 - 59.69	1.60 <i>0.063</i>	Spring Steel
# DSB-060	60.00 <i>2.362</i>	62.30 <i>2.453</i>	2.20 - 2.30	1.40 - 1.50	61.50 - 61.69	1.60 <i>0.063</i>	Spring Steel
# DSB-062	62.00 <i>2.441</i>	64.30 <i>2.531</i>	2.20 - 2.30	1.40 - 1.50	63.50 - 63.69	1.60 <i>0.063</i>	Spring Steel
# DSB-063	63.00 <i>2.480</i>	65.30 <i>2.571</i>	2.20 - 2.30	1.40 - 1.50	64.50 - 64.69	1.60 <i>0.063</i>	Spring Steel
# DSB-065	65.00 <i>2.559</i>	67.30 <i>2.650</i>	2.20 - 2.30	1.40 - 1.50	66.50 - 66.69	1.60 <i>0.063</i>	Spring Steel
# DSB-068	68.00 <i>2.677</i>	70.30 <i>2.768</i>	2.20 - 2.30	1.40 - 1.50	69.50 - 69.69	1.60 <i>0.063</i>	Spring Steel
# DSB-070	70.00 <i>2.756</i>	72.30 <i>2.846</i>	2.20 - 2.30	1.40 - 1.50	71.50 - 71.69	1.60 <i>0.063</i>	Spring Steel
# DSB-072	72.00 <i>2.835</i>	74.60 <i>2.937</i>	2.70 - 2.80	1.90 - 2.00	73.80 - 73.99	2.20 <i>0.087</i>	Spring Steel
# DSB-073	73.00 <i>2.874</i>	75.60 <i>2.976</i>	2.70 - 2.80	1.90 - 2.00	74.80 - 74.99	2.20 <i>0.087</i>	Spring Steel

# Indicates item not stocked at time of printing - Please enquire for lead time

E&OE Pricing and all details subject to change without notice - Copyright Miniature Bearings Australia Pty Ltd

MBA Size Listings are a guide to sizes only and must not be solely relied on for critical design information.

## Snaprings - Internal - Basic

Part Number	Bore (B) mm <i>inches</i>	Free Outside Dia. Max (D) mm <i>inches</i>	Radial Wall (Rd) mm <i>inches</i>	Thickness (t) mm <i>inches</i>	Groove Dia. (G) mm <i>inches</i>	Groove Width Min. (W) mm <i>inches</i>	Material
# DSB-074	74.00 <i>2.913</i>	76.60 <i>3.016</i>	2.70 - 2.80	1.90 - 2.00	75.80 - 75.99	2.20 <i>0.087</i>	Spring Steel
# DSB-076	76.00 <i>2.992</i>	78.60 <i>3.094</i>	2.70 - 2.80	1.90 - 2.00	77.80 - 77.99	2.20 <i>0.087</i>	Spring Steel
# DSB-078	78.00 <i>3.071</i>	80.60 <i>3.173</i>	2.70 - 2.80	1.90 - 2.00	79.80 - 79.99	2.20 <i>0.087</i>	Spring Steel
# DSB-079	79.00 <i>3.110</i>	81.60 <i>3.213</i>	2.70 - 2.80	1.90 - 2.00	80.80 - 81.02	2.20 <i>0.087</i>	Spring Steel
# DSB-080	80.00 <i>3.150</i>	82.60 <i>3.252</i>	2.70 - 2.80	1.90 - 2.00	81.80 - 82.02	2.20 <i>0.087</i>	Spring Steel
# DSB-081	81.00 <i>3.189</i>	83.60 <i>3.291</i>	2.70 - 2.80	1.90 - 2.00	82.80 - 83.02	2.20 <i>0.087</i>	Spring Steel
# DSB-082	82.00 <i>3.228</i>	84.60 <i>3.331</i>	2.70 - 2.80	1.90 - 2.00	83.80 - 84.02	2.20 <i>0.087</i>	Spring Steel
# DSB-083	83.00 <i>3.268</i>	85.60 <i>3.370</i>	2.70 - 2.80	1.90 - 2.00	84.80 - 85.02	2.20 <i>0.087</i>	Spring Steel
# DSB-085	85.00 <i>3.346</i>	87.60 <i>3.449</i>	2.70 - 2.80	1.90 - 2.00	86.80 - 87.02	2.20 <i>0.087</i>	Spring Steel
# DSB-086	86.00 <i>3.386</i>	88.60 <i>3.488</i>	2.70 - 2.80	1.90 - 2.00	87.80 - 88.02	2.20 <i>0.087</i>	Spring Steel

# Indicates item not stocked at time of printing - Please enquire for lead time

E&OE Pricing and all details subject to change without notice - Copyright Miniature Bearings Australia Pty Ltd

MBA Size Listings are a guide to sizes only and must not be solely relied on for critical design information.

## Snaprings - Internal - Basic

Part Number	Bore (B) mm <i>inches</i>	Free Outside Dia. Max (D) mm <i>inches</i>	Radial Wall (Rd) mm <i>inches</i>	Thickness (t) mm <i>inches</i>	Groove Dia. (G) mm <i>inches</i>	Groove Width Min. (W) mm <i>inches</i>	Material
# DSB-088	88.00 <i>3.465</i>	91.00 <i>3.583</i>	3.30 - 3.40	2.40 - 2.50	90.00 - 90.22	2.70 <i>0.106</i>	Spring Steel
# DSB-090	90.00 <i>3.543</i>	93.00 <i>3.661</i>	3.30 - 3.40	2.40 - 2.50	92.00 - 92.22	2.70 <i>0.106</i>	Spring Steel
# DSB-092	92.00 <i>3.622</i>	95.00 <i>3.740</i>	3.30 - 3.40	2.40 - 2.50	94.00 - 94.22	2.70 <i>0.106</i>	Spring Steel
# DSB-093	93.00 <i>3.661</i>	96.00 <i>3.780</i>	3.30 - 3.40	2.40 - 2.50	95.00 - 95.22	2.70 <i>0.106</i>	Spring Steel
# DSB-095	95.00 <i>3.740</i>	98.00 <i>3.858</i>	3.30 - 3.40	2.40 - 2.50	97.00 - 97.22	2.70 <i>0.106</i>	Spring Steel
# DSB-097	97.00 <i>3.819</i>	100.00 <i>3.937</i>	3.30 - 3.40	2.40 - 2.50	99.00 - 99.22	2.70 <i>0.106</i>	Spring Steel
# DSB-098	98.00 <i>3.858</i>	101.00 <i>3.976</i>	3.30 - 3.40	2.40 - 2.50	100.00 - 100.22	2.70 <i>0.106</i>	Spring Steel
# DSB-100	100.00 <i>3.937</i>	103.00 <i>4.055</i>	3.30 - 3.40	2.40 - 2.50	102.00 - 102.22	2.70 <i>0.106</i>	Spring Steel
# DSB-102	102.00 <i>4.016</i>	105.30 <i>4.146</i>	3.30 - 3.40	2.40 - 2.50	104.30 - 104.52	2.70 <i>0.106</i>	Spring Steel
# DSB-103	103.00 <i>4.055</i>	106.30 <i>4.185</i>	3.30 - 3.40	2.40 - 2.50	105.30 - 105.52	2.70 <i>0.106</i>	Spring Steel

# Indicates item not stocked at time of printing - Please enquire for lead time

E&OE Pricing and all details subject to change without notice - Copyright Miniature Bearings Australia Pty Ltd

MBA Size Listings are a guide to sizes only and must not be solely relied on for critical design information.

## Snaprings - Internal - Basic

Part Number	Bore (B) mm <i>inches</i>	Free Outside Dia. Max (D) mm <i>inches</i>	Radial Wall (Rd) mm <i>inches</i>	Thickness (t) mm <i>inches</i>	Groove Dia. (G) mm <i>inches</i>	Groove Width Min. (W) mm <i>inches</i>	Material
# DSB-105	105.00 <i>4.134</i>	108.30 <i>4.264</i>	3.30 - 3.40	2.40 - 2.50	107.30 - 107.52	2.70 <i>0.106</i>	Spring Steel
# DSB-107	107.00 <i>4.213</i>	110.30 <i>4.343</i>	3.30 - 3.40	2.40 - 2.50	109.30 - 109.52	2.70 <i>0.106</i>	Spring Steel
# DSB-108	108.00 <i>4.252</i>	111.30 <i>4.382</i>	3.30 - 3.40	2.40 - 2.50	110.30 - 110.52	2.70 <i>0.106</i>	Spring Steel
# DSB-110	110.00 <i>4.331</i>	113.40 <i>4.465</i>	3.30 - 3.40	2.40 - 2.50	112.30 - 112.52	2.70 <i>0.106</i>	Spring Steel
# DSB-112	112.00 <i>4.409</i>	115.40 <i>4.543</i>	3.30 - 3.40	2.40 - 2.50	114.30 - 114.52	2.70 <i>0.106</i>	Spring Steel
# DSB-113	113.00 <i>4.449</i>	116.40 <i>4.583</i>	3.30 - 3.40	2.40 - 2.50	115.30 - 115.52	2.70 <i>0.106</i>	Spring Steel
# DSB-115	115.00 <i>4.528</i>	118.40 <i>4.661</i>	3.30 - 3.40	2.40 - 2.50	117.30 - 117.52	2.70 <i>0.106</i>	Spring Steel
# DSB-117	117.00 <i>4.606</i>	120.40 <i>4.740</i>	3.30 - 3.40	2.40 - 2.50	119.30 - 119.52	2.70 <i>0.106</i>	Spring Steel
# DSB-118	118.00 <i>4.646</i>	121.40 <i>4.780</i>	3.30 - 3.40	2.40 - 2.50	120.30 - 120.55	2.70 <i>0.106</i>	Spring Steel
# DSB-120	120.00 <i>4.724</i>	123.50 <i>4.862</i>	3.30 - 3.40	2.40 - 2.50	122.30 - 122.55	2.70 <i>0.106</i>	Spring Steel

# Indicates item not stocked at time of printing - Please enquire for lead time

E&OE Pricing and all details subject to change without notice - Copyright Miniature Bearings Australia Pty Ltd

MBA Size Listings are a guide to sizes only and must not be solely relied on for critical design information.

## Snaprings - Internal - Basic

Part Number	Bore (B) mm <i>inches</i>	Free Outside Dia. Max (D) mm <i>inches</i>	Radial Wall (Rd) mm <i>inches</i>	Thickness (t) mm <i>inches</i>	Groove Dia. (G) mm <i>inches</i>	Groove Width Min. (W) mm <i>inches</i>	Material
# DSB-123	123.00 <i>4.843</i>	126.50 <i>4.980</i>	3.30 - 3.40	2.40 - 2.50	125.30 - 125.55	2.70 <i>0.106</i>	Spring Steel
# DSB-125	125.00 <i>4.921</i>	128.50 <i>5.059</i>	3.30 - 3.40	2.40 - 2.50	127.30 - 127.55	2.70 <i>0.106</i>	Spring Steel
# DSB-127	127.00 <i>5.000</i>	130.50 <i>5.138</i>	3.30 - 3.40	2.40 - 2.50	129.30 - 129.55	2.70 <i>0.106</i>	Spring Steel
# DSB-130	130.00 <i>5.118</i>	133.60 <i>5.260</i>	3.30 - 3.40	2.40 - 2.50	132.30 - 132.55	2.70 <i>0.106</i>	Spring Steel
# DSB-133	133.00 <i>5.236</i>	136.60 <i>5.378</i>	3.30 - 3.40	2.40 - 2.50	135.30 - 135.55	2.70 <i>0.106</i>	Spring Steel
# DSB-135	135.00 <i>5.315</i>	138.60 <i>5.457</i>	3.30 - 3.40	2.40 - 2.50	137.30 - 137.55	2.70 <i>0.106</i>	Spring Steel
# DSB-137	137.00 <i>5.394</i>	140.60 <i>5.535</i>	3.30 - 3.40	2.40 - 2.50	139.30 - 139.55	2.70 <i>0.106</i>	Spring Steel
# DSB-140	140.00 <i>5.512</i>	144.00 <i>5.669</i>	3.90 - 4.00	2.40 - 2.50	142.60 - 142.85	2.70 <i>0.106</i>	Spring Steel
# DSB-143	143.00 <i>5.630</i>	147.00 <i>5.787</i>	3.90 - 4.00	2.40 - 2.50	145.60 - 145.85	2.70 <i>0.106</i>	Spring Steel
# DSB-150	150.00 <i>5.906</i>	154.10 <i>6.067</i>	3.90 - 4.00	2.40 - 2.50	152.60 - 152.85	2.70 <i>0.106</i>	Spring Steel

# Indicates item not stocked at time of printing - Please enquire for lead time

E&OE Pricing and all details subject to change without notice - Copyright Miniature Bearings Australia Pty Ltd

MBA Size Listings are a guide to sizes only and must not be solely relied on for critical design information.

## Snaprings - Internal - Basic

Part Number	Bore (B) mm <i>inches</i>	Free Outside Dia. Max (D) mm <i>inches</i>	Radial Wall (Rd) mm <i>inches</i>	Thickness (t) mm <i>inches</i>	Groove Dia. (G) mm <i>inches</i>	Groove Width Min. (W) mm <i>inches</i>	Material
# DSB-153	153.00 <i>6.024</i>	157.10 <i>6.185</i>	3.90 - 4.00	2.40 - 2.50	155.60 - 155.85	2.70 <i>0.106</i>	Spring Steel
# DSB-160	160.00 <i>6.299</i>	164.20 <i>6.465</i>	3.90 - 4.00	2.40 - 2.50	162.60 - 162.85	2.70 <i>0.106</i>	Spring Steel
# DSB-163	163.00 <i>6.417</i>	167.20 <i>6.583</i>	3.90 - 4.00	2.40 - 2.50	165.60 - 165.85	2.70 <i>0.106</i>	Spring Steel
# DSB-165	165.00 <i>6.496</i>	169.20 <i>6.661</i>	3.90 - 4.00	2.40 - 2.50	167.60 - 167.85	2.70 <i>0.106</i>	Spring Steel
# DSB-170	170.00 <i>6.693</i>	174.30 <i>6.862</i>	3.90 - 4.00	2.40 - 2.50	172.60 - 172.85	2.70 <i>0.106</i>	Spring Steel
# DSB-173	173.00 <i>6.811</i>	177.30 <i>6.980</i>	3.90 - 4.00	2.40 - 2.50	175.60 - 175.85	2.70 <i>0.106</i>	Spring Steel
# DSB-175	175.00 <i>6.890</i>	179.30 <i>7.059</i>	3.90 - 4.00	2.40 - 2.50	177.60 - 177.85	2.70 <i>0.106</i>	Spring Steel
# DSB-180	180.00 <i>7.087</i>	184.50 <i>7.264</i>	3.90 - 4.00	2.40 - 2.50	182.60 - 182.89	2.70 <i>0.106</i>	Spring Steel
# DSB-183	183.00 <i>7.205</i>	187.50 <i>7.382</i>	3.90 - 4.00	2.40 - 2.50	185.60 - 185.89	2.70 <i>0.106</i>	Spring Steel
# DSB-190	190.00 <i>7.480</i>	194.90 <i>7.673</i>	4.90 - 5.00	2.90 - 3.00	193.00 - 193.29	3.20 <i>0.126</i>	Spring Steel

# Indicates item not stocked at time of printing - Please enquire for lead time

E&OE Pricing and all details subject to change without notice - Copyright Miniature Bearings Australia Pty Ltd

MBA Size Listings are a guide to sizes only and must not be solely relied on for critical design information.

## Snaprings - Internal - Basic

Part Number	Bore (B) mm <i>inches</i>	Free Outside Dia. Max (D) mm <i>inches</i>	Radial Wall (Rd) mm <i>inches</i>	Thickness (t) mm <i>inches</i>	Groove Dia. (G) mm <i>inches</i>	Groove Width Min. (W) mm <i>inches</i>	Material
# DSB-195	195.00 <i>7.677</i>	199.90 <i>7.870</i>	4.90 - 5.00	2.90 - 3.00	198.00 - 198.29	3.20 <i>0.126</i>	Spring Steel
# DSB-200	200.00 <i>7.874</i>	205.00 <i>8.071</i>	4.90 - 5.00	2.90 - 3.00	203.00 - 203.29	3.20 <i>0.126</i>	Spring Steel
# DSB-205	205.00 <i>8.071</i>	210.00 <i>8.268</i>	4.90 - 5.00	2.90 - 3.00	208.00 - 208.29	3.20 <i>0.126</i>	Spring Steel
# DSB-210	210.00 <i>8.268</i>	215.10 <i>8.469</i>	4.90 - 5.00	2.90 - 3.00	213.00 - 213.29	3.20 <i>0.126</i>	Spring Steel
# DSB-215	215.00 <i>8.465</i>	220.10 <i>8.665</i>	4.90 - 5.00	2.90 - 3.00	218.00 - 218.29	3.20 <i>0.126</i>	Spring Steel
# DSB-220	220.00 <i>8.661</i>	225.20 <i>8.866</i>	4.90 - 5.00	2.90 - 3.00	223.00 - 223.29	3.20 <i>0.126</i>	Spring Steel
# DSB-225	225.00 <i>8.858</i>	230.20 <i>9.063</i>	4.90 - 5.00	2.90 - 3.00	228.00 - 228.29	3.20 <i>0.126</i>	Spring Steel
# DSB-230	230.00 <i>9.055</i>	235.30 <i>9.264</i>	4.90 - 5.00	2.90 - 3.00	233.00 - 233.29	3.20 <i>0.126</i>	Spring Steel
# DSB-240	240.00 <i>9.449</i>	245.40 <i>9.661</i>	4.90 - 5.00	2.90 - 3.00	243.00 - 243.29	3.20 <i>0.126</i>	Spring Steel
# DSB-250	250.00 <i>9.843</i>	255.50 <i>10.059</i>	4.90 - 5.00	2.90 - 3.00	253.00 - 253.32	3.20 <i>0.126</i>	Spring Steel

# Indicates item not stocked at time of printing - Please enquire for lead time

E&OE Pricing and all details subject to change without notice - Copyright Miniature Bearings Australia Pty Ltd

MBA Size Listings are a guide to sizes only and must not be solely relied on for critical design information.

## Snaprings - Internal - Basic

Part Number	Bore (B) mm <i>inches</i>	Free Outside Dia. Max (D) mm <i>inches</i>	Radial Wall (Rd) mm <i>inches</i>	Thickness (t) mm <i>inches</i>	Groove Dia. (G) mm <i>inches</i>	Groove Width Min. (W) mm <i>inches</i>	Material
# DSB-260	260.00 <i>10.236</i>	267.60 <i>10.535</i>	7.40 - 7.50	3.90 - 4.00	265.00 - 265.32	4.20 <i>0.165</i>	Spring Steel
# DSB-270	270.00 <i>10.630</i>	277.70 <i>10.933</i>	7.40 - 7.50	3.90 - 4.00	275.00 - 275.32	4.20 <i>0.165</i>	Spring Steel
# DSB-280	280.00 <i>11.024</i>	287.80 <i>11.331</i>	7.40 - 7.50	3.90 - 4.00	285.00 - 285.32	4.20 <i>0.165</i>	Spring Steel
# DSB-290	290.00 <i>11.417</i>	297.90 <i>11.728</i>	7.40 - 7.50	3.90 - 4.00	295.00 - 295.32	4.20 <i>0.165</i>	Spring Steel
# DSB-300	300.00 <i>11.811</i>	307.90 <i>12.122</i>	7.40 - 7.50	3.90 - 4.00	305.00 - 305.32	4.20 <i>0.165</i>	Spring Steel
# DSB-310	310.00 <i>12.205</i>	318.00 <i>12.520</i>	7.40 - 7.50	3.90 - 4.00	315.00 - 315.32	4.20 <i>0.165</i>	Spring Steel
# DSB-320	320.00 <i>12.598</i>	328.10 <i>12.917</i>	7.40 - 7.50	3.90 - 4.00	325.00 - 325.36	4.20 <i>0.165</i>	Spring Steel
# DSB-325	325.00 <i>12.795</i>	333.10 <i>13.114</i>	7.40 - 7.50	3.90 - 4.00	330.00 - 330.36	4.20 <i>0.165</i>	Spring Steel
# DSB-330	330.00 <i>12.992</i>	338.20 <i>13.315</i>	7.40 - 7.50	3.90 - 4.00	335.00 - 335.36	4.20 <i>0.165</i>	Spring Steel
# DSB-340	340.00 <i>13.386</i>	348.30 <i>13.713</i>	7.40 - 7.50	3.90 - 4.00	345.00 - 345.36	4.20 <i>0.165</i>	Spring Steel

# Indicates item not stocked at time of printing - Please enquire for lead time

E&OE Pricing and all details subject to change without notice - Copyright Miniature Bearings Australia Pty Ltd

MBA Size Listings are a guide to sizes only and must not be solely relied on for critical design information.

## Snaprings - Internal - Basic

Part Number	Bore (B) mm <i>inches</i>	Free Outside Dia. Max (D) mm <i>inches</i>	Radial Wall (Rd) mm <i>inches</i>	Thickness (t) mm <i>inches</i>	Groove Dia. (G) mm <i>inches</i>	Groove Width Min. (W) mm <i>inches</i>	Material
# DSB-350	350.00 <i>13.780</i>	358.40 <i>14.110</i>	7.40 - 7.50	3.90 - 4.00	355.00 - 355.36	4.20 <i>0.165</i>	Spring Steel
# DSB-355	355.00 <i>13.976</i>	363.40 <i>14.307</i>	7.40 - 7.50	3.90 - 4.00	360.00 - 360.36	4.20 <i>0.165</i>	Spring Steel
# DSB-360	360.00 <i>14.173</i>	368.50 <i>14.508</i>	7.40 - 7.50	3.90 - 4.00	365.00 - 365.36	4.20 <i>0.165</i>	Spring Steel
# DSB-370	370.00 <i>14.567</i>	378.50 <i>14.902</i>	7.40 - 7.50	3.90 - 4.00	375.00 - 375.36	4.20 <i>0.165</i>	Spring Steel
# DSB-375	375.00 <i>14.764</i>	383.50 <i>15.098</i>	7.40 - 7.50	3.90 - 4.00	380.00 - 380.36	4.20 <i>0.165</i>	Spring Steel
# DSB-380	380.00 <i>14.961</i>	388.60 <i>15.299</i>	7.40 - 7.50	3.90 - 4.00	385.00 - 385.36	4.20 <i>0.165</i>	Spring Steel
# DSB-390	390.00 <i>15.354</i>	398.70 <i>15.697</i>	7.40 - 7.50	3.90 - 4.00	395.00 - 395.36	4.20 <i>0.165</i>	Spring Steel
# DSB-395	395.00 <i>15.551</i>	403.70 <i>15.894</i>	7.40 - 7.50	3.90 - 4.00	400.00 - 400.36	4.20 <i>0.165</i>	Spring Steel
# DSB-400	400.00 <i>15.748</i>	408.90 <i>16.098</i>	7.40 - 7.50	3.90 - 4.00	405.00 - 405.40	4.20 <i>0.165</i>	Spring Steel
# DSB-410	410.00 <i>16.142</i>	419.00 <i>16.496</i>	7.40 - 7.50	3.90 - 4.00	415.00 - 415.40	4.20 <i>0.165</i>	Spring Steel

# Indicates item not stocked at time of printing - Please enquire for lead time

E&OE Pricing and all details subject to change without notice - Copyright Miniature Bearings Australia Pty Ltd

MBA Size Listings are a guide to sizes only and must not be solely relied on for critical design information.

## Snaprings - Internal - Basic

Part Number	Bore (B) mm <i>inches</i>	Free Outside Dia. Max (D) mm <i>inches</i>	Radial Wall (Rd) mm <i>inches</i>	Thickness (t) mm <i>inches</i>	Groove Dia. (G) mm <i>inches</i>	Groove Width Min. (W) mm <i>inches</i>	Material
# DSB-415	415.00 <i>16.339</i>	424.00 <i>16.693</i>	7.40 - 7.50	3.90 - 4.00	420.00 - 420.40	4.20 <i>0.165</i>	Spring Steel
# DSB-420	420.00 <i>16.535</i>	429.10 <i>16.894</i>	7.40 - 7.50	3.90 - 4.00	425.00 - 425.40	4.20 <i>0.165</i>	Spring Steel
# DSB-430	430.00 <i>16.929</i>	439.20 <i>17.291</i>	7.40 - 7.50	3.90 - 4.00	435.00 - 435.40	4.20 <i>0.165</i>	Spring Steel
# DSB-440	440.00 <i>17.323</i>	449.30 <i>17.689</i>	7.40 - 7.50	3.90 - 4.00	445.00 - 445.40	4.20 <i>0.165</i>	Spring Steel

# Indicates item not stocked at time of printing - Please enquire for lead time

E&OE Pricing and all details subject to change without notice - Copyright Miniature Bearings Australia Pty Ltd

MBA Size Listings are a guide to sizes only and must not be solely relied on for critical design information.



DISTRIBUTED BY

Ask us to put your name and address here

<http://www.minibearings.com.au/product>

Ph +61 7 3245 7977

Fax +61 7 3245 1017

Catalogue requests to [catalogues@minibearings.com.au](mailto:catalogues@minibearings.com.au)

