



MBA

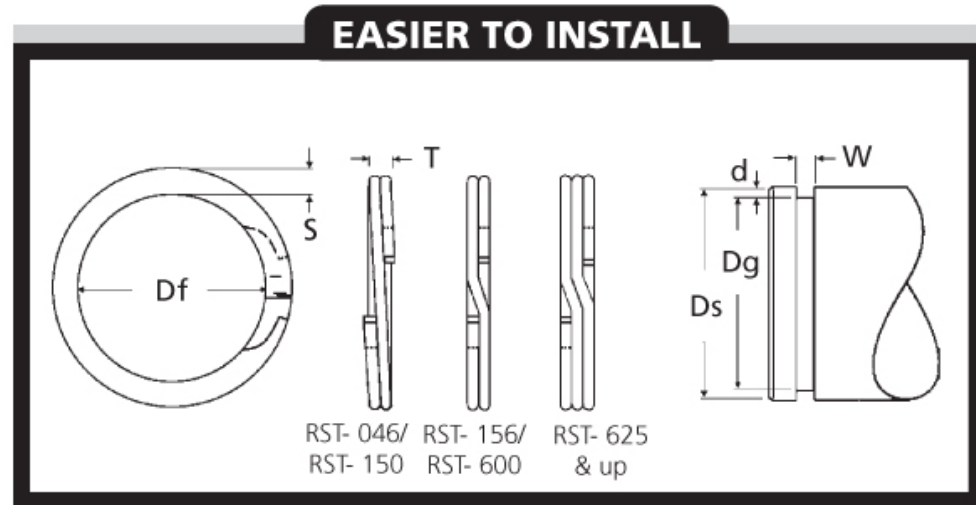
Spiral Rings - External - Medium/Heavy Duty

AME / WST / RST - Spring Steel and Stainless Steel.

Originally designed to fit NAS50-51 grooves, this series is a popular OEM specification.

This two/three turn design is easier to install than the heavy duty RRN option.

Equivalent to Associated Spring: AME, Smalley: WST, Spirolox and Ramsey: RST



Spiral Rings - External - Medium/Heavy Duty

Part Number	Shaft Dia. (Ds) mm	Free Inside Dia (Df) mm	Radial Wall (S) mm	Thickness (T) mm	Groove Dia (Dg) mm	Groove Depth (d) mm	Groove Width (W) mm	Material
	<i>inches</i>	<i>inches</i>	<i>inches</i>	<i>inches</i>	<i>inches</i>	<i>inches</i>	<i>inches</i>	
# RST-046	11.91 <i>0.469</i>	10.74 - 11.07	1.04 - 1.24	0.56 - 0.66	11.20 - 11.30	0.33 <i>0.013</i>	0.71 - 0.79	Spring Steel
# RST-046-S02	11.91 <i>0.469</i>	10.74 - 11.07	1.04 - 1.24	0.56 - 0.66	11.20 - 11.30	0.33 <i>0.013</i>	0.71 - 0.79	302 Stainless Steel
# RST-050	12.70 <i>0.500</i>	11.58 - 11.91	1.04 - 1.24	0.84 - 0.94	11.99 - 12.09	0.33 <i>0.013</i>	0.99 - 1.07	Spring Steel

Indicates item not stocked at time of printing - Please enquire for lead time

E&OE Pricing and all details subject to change without notice - Copyright Miniature Bearings Australia Pty Ltd

MBA Size Listings are a guide to sizes only and must not be solely relied on for critical design information.

Spiral Rings - External - Medium/Heavy Duty

Part Number	Shaft Dia. (Ds) mm <i>inches</i>	Free Inside Dia (Df) mm <i>inches</i>	Radial Wall (S) mm <i>inches</i>	Thickness (T) mm <i>inches</i>	Groove Dia (Dg) mm <i>inches</i>	Groove Depth (d) mm <i>inches</i>	Groove Width (W) mm <i>inches</i>	Material
# RST-050-S02	12.70 <i>0.500</i>	11.58 - 11.91	1.04 - 1.24	0.84 - 0.94	11.99 - 12.09	0.33 <i>0.013</i>	0.99 - 1.07	302 Stainless Steel
# RST-055-S02	14.00 <i>0.551</i>	12.83 - 13.16	1.04 - 1.24	0.84 - 0.94	13.23 - 13.39	0.36 <i>0.014</i>	0.99 - 1.07	302 Stainless Steel
# RST-055	14.00 <i>0.551</i>	12.83 - 13.16	1.04 - 1.24	0.84 - 0.94	13.23 - 13.39	0.36 <i>0.014</i>	0.99 - 1.07	Spring Steel
# RST-056	14.27 <i>0.562</i>	13.11 - 13.44	1.04 - 1.24	0.84 - 0.94	13.51 - 13.67	0.36 <i>0.014</i>	0.99 - 1.07	Spring Steel
# RST-056-S02	14.27 <i>0.562</i>	13.11 - 13.44	1.04 - 1.24	0.84 - 0.94	13.51 - 13.67	0.36 <i>0.014</i>	0.99 - 1.07	302 Stainless Steel
# RST-059-S02	15.09 <i>0.594</i>	13.87 - 14.20	1.04 - 1.24	0.84 - 0.94	14.27 - 14.43	0.38 <i>0.015</i>	0.99 - 1.07	302 Stainless Steel
# RST-059	15.09 <i>0.594</i>	13.87 - 14.20	1.04 - 1.24	0.84 - 0.94	14.27 - 14.43	0.38 <i>0.015</i>	0.99 - 1.07	Spring Steel
# RST-062	15.88 <i>0.625</i>	14.66 - 14.99	1.30 - 1.50	0.84 - 0.94	15.06 - 15.21	0.38 <i>0.015</i>	0.99 - 1.07	Spring Steel
# RST-062-S02	15.88 <i>0.625</i>	14.66 - 14.99	1.30 - 1.50	0.84 - 0.94	15.06 - 15.21	0.38 <i>0.015</i>	0.99 - 1.07	302 Stainless Steel
# RST-066	16.99 <i>0.669</i>	15.67 - 16.00	1.30 - 1.50	0.84 - 0.94	16.13 - 16.28	0.41 <i>0.016</i>	0.99 - 1.07	Spring Steel

Indicates item not stocked at time of printing - Please enquire for lead time

E&OE Pricing and all details subject to change without notice - Copyright Miniature Bearings Australia Pty Ltd

MBA Size Listings are a guide to sizes only and must not be solely relied on for critical design information.

Spiral Rings - External - Medium/Heavy Duty

Part Number	Shaft Dia. (Ds) mm <i>inches</i>	Free Inside Dia (Df) mm <i>inches</i>	Radial Wall (S) mm <i>inches</i>	Thickness (T) mm <i>inches</i>	Groove Dia (Dg) mm <i>inches</i>	Groove Depth (d) mm <i>inches</i>	Groove Width (W) mm <i>inches</i>	Material
# RST-066-S02	16.99 <i>0.669</i>	15.67 - 16.00	1.30 - 1.50	0.84 - 0.94	16.13 - 16.28	0.41 <i>0.016</i>	0.99 - 1.07	302 Stainless Steel
# RST-068-S02	17.48 <i>0.688</i>	16.13 - 16.46	1.55 - 1.75	1.02 - 1.12	16.56 - 16.71	0.43 <i>0.017</i>	1.17 - 1.24	302 Stainless Steel
# RST-068	17.48 <i>0.688</i>	16.13 - 16.46	1.55 - 1.75	1.02 - 1.12	16.56 - 16.71	0.43 <i>0.017</i>	1.17 - 1.24	Spring Steel
# RST-075	19.05 <i>0.750</i>	17.65 - 17.98	1.55 - 1.75	1.02 - 1.12	18.08 - 18.24	0.46 <i>0.018</i>	1.17 - 1.24	Spring Steel
# RST-075-S02	19.05 <i>0.750</i>	17.65 - 17.98	1.55 - 1.75	1.02 - 1.12	18.08 - 18.24	0.46 <i>0.018</i>	1.17 - 1.24	302 Stainless Steel
# RST-078-S02	19.84 <i>0.781</i>	18.42 - 18.75	1.55 - 1.75	1.02 - 1.12	18.85 - 19.00	0.46 <i>0.018</i>	1.17 - 1.24	302 Stainless Steel
# RST-078	19.84 <i>0.781</i>	18.42 - 18.75	1.55 - 1.75	1.02 - 1.12	18.85 - 19.00	0.46 <i>0.018</i>	1.17 - 1.24	Spring Steel
# RST-081	20.62 <i>0.812</i>	19.18 - 19.51	1.55 - 1.75	1.02 - 1.12	19.63 - 19.79	0.46 <i>0.018</i>	1.17 - 1.24	Spring Steel
# RST-081-S02	20.62 <i>0.812</i>	19.18 - 19.51	1.55 - 1.75	1.02 - 1.12	19.63 - 19.79	0.46 <i>0.018</i>	1.17 - 1.24	302 Stainless Steel
# RST-087-S02	22.23 <i>0.875</i>	20.68 - 21.01	1.80 - 2.01	1.02 - 1.12	21.13 - 21.29	0.51 <i>0.020</i>	1.17 - 1.24	302 Stainless Steel

Indicates item not stocked at time of printing - Please enquire for lead time

E&OE Pricing and all details subject to change without notice - Copyright Miniature Bearings Australia Pty Ltd

MBA Size Listings are a guide to sizes only and must not be solely relied on for critical design information.

Spiral Rings - External - Medium/Heavy Duty

Part Number	Shaft Dia. (Ds) mm <i>inches</i>	Free Inside Dia (Df) mm <i>inches</i>	Radial Wall (S) mm <i>inches</i>	Thickness (T) mm <i>inches</i>	Groove Dia (Dg) mm <i>inches</i>	Groove Depth (d) mm <i>inches</i>	Groove Width (W) mm <i>inches</i>	Material
# RST-087	22.23 <i>0.875</i>	20.68 - 21.01	1.80 - 2.01	1.02 - 1.12	21.13 - 21.29	0.51 <i>0.020</i>	1.17 - 1.24	Spring Steel
# RST-093-S02	23.83 <i>0.938</i>	22.17 - 22.50	1.80 - 2.01	1.02 - 1.12	22.63 - 22.78	0.56 <i>0.022</i>	1.17 - 1.24	302 Stainless Steel
# RST-093	23.83 <i>0.938</i>	22.17 - 22.50	1.80 - 2.01	1.02 - 1.12	22.63 - 22.78	0.56 <i>0.022</i>	1.17 - 1.24	Spring Steel
# RST-098	24.99 <i>0.984</i>	23.39 - 23.72	1.80 - 2.01	1.02 - 1.12	23.80 - 23.95	0.56 <i>0.022</i>	1.17 - 1.24	Spring Steel
# RST-098-S02	24.99 <i>0.984</i>	23.39 - 23.72	1.80 - 2.01	1.02 - 1.12	23.80 - 23.95	0.56 <i>0.022</i>	1.17 - 1.24	302 Stainless Steel
# RST-100-S02	25.40 <i>1.000</i>	23.72 - 24.05	1.80 - 2.01	1.02 - 1.12	24.18 - 24.33	0.58 <i>0.023</i>	1.17 - 1.24	302 Stainless Steel
# RST-100	25.40 <i>1.000</i>	23.72 - 24.05	1.80 - 2.01	1.02 - 1.12	24.18 - 24.33	0.58 <i>0.023</i>	1.17 - 1.24	Spring Steel
# RST-102-S02	25.98 <i>1.023</i>	24.28 - 24.61	1.80 - 2.01	1.02 - 1.12	24.71 - 24.92	0.58 <i>0.023</i>	1.17 - 1.24	302 Stainless Steel
# RST-102	25.98 <i>1.023</i>	24.28 - 24.61	1.80 - 2.01	1.02 - 1.12	24.71 - 24.92	0.58 <i>0.023</i>	1.17 - 1.24	Spring Steel
# RST-106	26.97 <i>1.062</i>	25.15 - 25.53	2.13 - 2.34	1.22 - 1.32	25.68 - 25.88	0.61 <i>0.024</i>	1.42 - 1.52	Spring Steel

Indicates item not stocked at time of printing - Please enquire for lead time

E&OE Pricing and all details subject to change without notice - Copyright Miniature Bearings Australia Pty Ltd

MBA Size Listings are a guide to sizes only and must not be solely relied on for critical design information.

Spiral Rings - External - Medium/Heavy Duty

Part Number	Shaft Dia. (Ds) mm <i>inches</i>	Free Inside Dia (Df) mm <i>inches</i>	Radial Wall (S) mm <i>inches</i>	Thickness (T) mm <i>inches</i>	Groove Dia (Dg) mm <i>inches</i>	Groove Depth (d) mm <i>inches</i>	Groove Width (W) mm <i>inches</i>	Material
# RST-106-S02	26.97 <i>1.062</i>	25.15 - 25.53	2.13 - 2.34	1.22 - 1.32	25.68 - 25.88	0.61 <i>0.024</i>	1.42 - 1.52	302 Stainless Steel
# RST-112-S02	28.58 <i>1.125</i>	26.64 - 27.03	2.13 - 2.34	1.22 - 1.32	27.20 - 27.41	0.64 <i>0.025</i>	1.42 - 1.52	302 Stainless Steel
# RST-112	28.58 <i>1.125</i>	26.64 - 27.03	2.13 - 2.34	1.22 - 1.32	27.20 - 27.41	0.64 <i>0.025</i>	1.42 - 1.52	Spring Steel
# RST-118-S02	30.18 <i>1.188</i>	28.22 - 28.60	2.13 - 2.34	1.22 - 1.32	28.73 - 28.93	0.69 <i>0.027</i>	1.42 - 1.52	302 Stainless Steel
# RST-118	30.18 <i>1.188</i>	28.22 - 28.60	2.13 - 2.34	1.22 - 1.32	28.73 - 28.93	0.69 <i>0.027</i>	1.42 - 1.52	Spring Steel
# RST-125-S02	31.75 <i>1.250</i>	29.69 - 30.07	2.26 - 2.46	1.22 - 1.32	30.25 - 30.45	0.71 <i>0.028</i>	1.42 - 1.52	302 Stainless Steel
# RST-125	31.75 <i>1.250</i>	29.69 - 30.07	2.26 - 2.46	1.22 - 1.32	30.25 - 30.45	0.71 <i>0.028</i>	1.42 - 1.52	Spring Steel
# RST-131	33.32 <i>1.312</i>	31.12 - 31.50	2.39 - 2.59	1.22 - 1.32	31.65 - 31.85	0.79 <i>0.031</i>	1.42 - 1.52	Spring Steel
# RST-131-S02	33.32 <i>1.312</i>	31.12 - 31.50	2.39 - 2.59	1.22 - 1.32	31.65 - 31.85	0.79 <i>0.031</i>	1.42 - 1.52	302 Stainless Steel
# RST-137-S02	34.93 <i>1.375</i>	32.59 - 32.97	2.51 - 2.72	1.22 - 1.32	33.17 - 33.38	0.84 <i>0.033</i>	1.42 - 1.52	302 Stainless Steel

Indicates item not stocked at time of printing - Please enquire for lead time

E&OE Pricing and all details subject to change without notice - Copyright Miniature Bearings Australia Pty Ltd

MBA Size Listings are a guide to sizes only and must not be solely relied on for critical design information.

Spiral Rings - External - Medium/Heavy Duty

Part Number	Shaft Dia. (Ds) mm <i>inches</i>	Free Inside Dia (Df) mm <i>inches</i>	Radial Wall (S) mm <i>inches</i>	Thickness (T) mm <i>inches</i>	Groove Dia (Dg) mm <i>inches</i>	Groove Depth (d) mm <i>inches</i>	Groove Width (W) mm <i>inches</i>	Material
# RST-137	34.93 <i>1.375</i>	32.59 - 32.97	2.51 - 2.72	1.22 - 1.32	33.17 - 33.38	0.84 <i>0.033</i>	1.42 - 1.52	Spring Steel
# RST-143	36.53 <i>1.438</i>	34.14 - 34.52	2.51 - 2.72	1.22 - 1.32	34.70 - 34.90	0.86 <i>0.034</i>	1.42 - 1.52	Spring Steel
# RST-143-S02	36.53 <i>1.438</i>	34.14 - 34.52	2.51 - 2.72	1.22 - 1.32	34.70 - 34.90	0.86 <i>0.034</i>	1.42 - 1.52	302 Stainless Steel
# RST-150	38.10 <i>1.500</i>	35.66 - 36.04	2.51 - 2.72	1.22 - 1.32	36.22 - 36.42	0.89 <i>0.035</i>	1.42 - 1.52	Spring Steel
# RST-150-S02	38.10 <i>1.500</i>	35.66 - 36.04	2.51 - 2.72	1.22 - 1.32	36.22 - 36.42	0.89 <i>0.035</i>	1.42 - 1.52	302 Stainless Steel
# RST-156	39.67 <i>1.562</i>	36.98 - 37.49	2.77 - 2.97	1.50 - 1.65	37.72 - 37.97	0.91 <i>0.036</i>	1.73 - 1.83	Spring Steel
# RST-156-S02	39.67 <i>1.562</i>	36.98 - 37.49	2.77 - 2.97	1.50 - 1.65	37.72 - 37.97	0.91 <i>0.036</i>	1.73 - 1.83	302 Stainless Steel
# RST-162-S02	41.28 <i>1.625</i>	38.53 - 39.04	2.90 - 3.10	1.50 - 1.65	39.24 - 39.50	0.97 <i>0.038</i>	1.73 - 1.83	302 Stainless Steel
# RST-162	41.28 <i>1.625</i>	38.53 - 39.04	2.90 - 3.10	1.50 - 1.65	39.24 - 39.50	0.97 <i>0.038</i>	1.73 - 1.83	Spring Steel
# RST-168	42.85 <i>1.687</i>	40.08 - 40.59	2.90 - 3.10	1.50 - 1.65	40.77 - 41.02	0.99 <i>0.039</i>	1.73 - 1.83	Spring Steel

Indicates item not stocked at time of printing - Please enquire for lead time

E&OE Pricing and all details subject to change without notice - Copyright Miniature Bearings Australia Pty Ltd

MBA Size Listings are a guide to sizes only and must not be solely relied on for critical design information.

Spiral Rings - External - Medium/Heavy Duty

Part Number	Shaft Dia. (Ds) mm <i>inches</i>	Free Inside Dia (Df) mm <i>inches</i>	Radial Wall (S) mm <i>inches</i>	Thickness (T) mm <i>inches</i>	Groove Dia (Dg) mm <i>inches</i>	Groove Depth (d) mm <i>inches</i>	Groove Width (W) mm <i>inches</i>	Material
# RST-168-S02	42.85 <i>1.687</i>	40.08 - 40.59	2.90 - 3.10	1.50 - 1.65	40.77 - 41.02	0.99 <i>0.039</i>	1.73 - 1.83	302 Stainless Steel
# RST-175	44.45 <i>1.750</i>	41.58 - 42.09	2.90 - 3.10	1.50 - 1.65	42.29 - 42.55	1.02 <i>0.040</i>	1.73 - 1.83	Spring Steel
# RST-175-S02	44.45 <i>1.750</i>	41.58 - 42.09	2.90 - 3.10	1.50 - 1.65	42.29 - 42.55	1.02 <i>0.040</i>	1.73 - 1.83	302 Stainless Steel
# RST-177-S02	44.98 <i>1.771</i>	42.06 - 42.57	3.02 - 3.23	1.50 - 1.65	42.77 - 43.03	1.04 <i>0.041</i>	1.73 - 1.83	302 Stainless Steel
# RST-177	44.98 <i>1.771</i>	42.06 - 42.57	3.02 - 3.23	1.50 - 1.65	42.77 - 43.03	1.04 <i>0.041</i>	1.73 - 1.83	Spring Steel
# RST-181	46.02 <i>1.812</i>	43.03 - 43.54	3.02 - 3.23	1.50 - 1.65	43.82 - 44.07	1.04 <i>0.041</i>	1.73 - 1.83	Spring Steel
# RST-181-S02	46.02 <i>1.812</i>	43.03 - 43.54	3.02 - 3.23	1.50 - 1.65	43.82 - 44.07	1.04 <i>0.041</i>	1.73 - 1.83	302 Stainless Steel
# RST-187-S02	47.63 <i>1.875</i>	44.55 - 45.06	3.02 - 3.23	1.50 - 1.65	45.34 - 45.59	1.09 <i>0.043</i>	1.73 - 1.83	302 Stainless Steel
# RST-187	47.63 <i>1.875</i>	44.55 - 45.06	3.02 - 3.23	1.50 - 1.65	45.34 - 45.59	1.09 <i>0.043</i>	1.73 - 1.83	Spring Steel
# RST-196-S02	50.01 <i>1.969</i>	46.84 - 47.35	3.02 - 3.23	1.50 - 1.65	47.60 - 47.85	1.14 <i>0.045</i>	1.73 - 1.83	302 Stainless Steel

Indicates item not stocked at time of printing - Please enquire for lead time

E&OE Pricing and all details subject to change without notice - Copyright Miniature Bearings Australia Pty Ltd

MBA Size Listings are a guide to sizes only and must not be solely relied on for critical design information.

Spiral Rings - External - Medium/Heavy Duty

Part Number	Shaft Dia. (Ds) mm <i>inches</i>	Free Inside Dia (Df) mm <i>inches</i>	Radial Wall (S) mm <i>inches</i>	Thickness (T) mm <i>inches</i>	Groove Dia (Dg) mm <i>inches</i>	Groove Depth (d) mm <i>inches</i>	Groove Width (W) mm <i>inches</i>	Material
# RST-196	50.01 <i>1.969</i>	46.84 - 47.35	3.02 - 3.23	1.50 - 1.65	47.60 - 47.85	1.14 <i>0.045</i>	1.73 - 1.83	Spring Steel
# RST-200	50.80 <i>2.000</i>	47.60 - 48.11	3.15 - 3.35	1.50 - 1.65	48.39 - 48.64	1.14 <i>0.045</i>	1.73 - 1.83	Spring Steel
# RST-200-S02	50.80 <i>2.000</i>	47.60 - 48.11	3.15 - 3.35	1.50 - 1.65	48.39 - 48.64	1.14 <i>0.045</i>	1.73 - 1.83	302 Stainless Steel
# RST-206-S02	52.37 <i>2.062</i>	49.02 - 49.66	3.48 - 3.68	1.91 - 2.06	49.89 - 50.19	1.17 <i>0.046</i>	2.18 - 2.31	302 Stainless Steel
# RST-206	52.37 <i>2.062</i>	49.02 - 49.66	3.48 - 3.68	1.91 - 2.06	49.89 - 50.19	1.17 <i>0.046</i>	2.18 - 2.31	Spring Steel
# RST-212	53.98 <i>2.125</i>	50.47 - 51.10	3.48 - 3.68	1.91 - 2.06	51.33 - 51.64	1.24 <i>0.049</i>	2.18 - 2.31	Spring Steel
# RST-212-S02	53.98 <i>2.125</i>	50.47 - 51.10	3.48 - 3.68	1.91 - 2.06	51.33 - 51.64	1.24 <i>0.049</i>	2.18 - 2.31	302 Stainless Steel
# RST-215	54.76 <i>2.156</i>	51.21 - 51.84	3.48 - 3.68	1.91 - 2.06	52.10 - 52.40	1.27 <i>0.050</i>	2.18 - 2.31	Spring Steel
# RST-215-S02	54.76 <i>2.156</i>	51.21 - 51.84	3.48 - 3.68	1.91 - 2.06	52.10 - 52.40	1.27 <i>0.050</i>	2.18 - 2.31	302 Stainless Steel
# RST-225	57.15 <i>2.250</i>	53.44 - 54.08	3.48 - 3.68	1.91 - 2.06	54.33 - 54.64	1.35 <i>0.053</i>	2.18 - 2.31	Spring Steel

Indicates item not stocked at time of printing - Please enquire for lead time

E&OE Pricing and all details subject to change without notice - Copyright Miniature Bearings Australia Pty Ltd

MBA Size Listings are a guide to sizes only and must not be solely relied on for critical design information.

Spiral Rings - External - Medium/Heavy Duty

Part Number	Shaft Dia. (Ds) mm <i>inches</i>	Free Inside Dia (Df) mm <i>inches</i>	Radial Wall (S) mm <i>inches</i>	Thickness (T) mm <i>inches</i>	Groove Dia (Dg) mm <i>inches</i>	Groove Depth (d) mm <i>inches</i>	Groove Width (W) mm <i>inches</i>	Material
# RST-225-S02	57.15 <i>2.250</i>	53.44 - 54.08	3.48 - 3.68	1.91 - 2.06	54.33 - 54.64	1.35 <i>0.053</i>	2.18 - 2.31	302 Stainless Steel
# RST-231-S02	58.72 <i>2.312</i>	54.94 - 55.58	3.48 - 3.68	1.91 - 2.06	55.85 - 56.16	1.37 <i>0.054</i>	2.18 - 2.31	302 Stainless Steel
# RST-231	58.72 <i>2.312</i>	54.94 - 55.58	3.48 - 3.68	1.91 - 2.06	55.85 - 56.16	1.37 <i>0.054</i>	2.18 - 2.31	Spring Steel
# RST-237-S02	60.33 <i>2.375</i>	56.46 - 57.10	3.48 - 3.68	1.91 - 2.06	57.38 - 57.68	1.40 <i>0.055</i>	2.18 - 2.31	302 Stainless Steel
# RST-237	60.33 <i>2.375</i>	56.46 - 57.10	3.48 - 3.68	1.91 - 2.06	57.38 - 57.68	1.40 <i>0.055</i>	2.18 - 2.31	Spring Steel
# RST-243-S02	61.90 <i>2.437</i>	57.96 - 58.60	3.48 - 3.68	1.91 - 2.06	58.90 - 59.21	1.42 <i>0.056</i>	2.18 - 2.31	302 Stainless Steel
# RST-243	61.90 <i>2.437</i>	57.96 - 58.60	3.48 - 3.68	1.91 - 2.06	58.90 - 59.21	1.42 <i>0.056</i>	2.18 - 2.31	Spring Steel
# RST-250-S02	63.50 <i>2.500</i>	59.46 - 60.10	4.65 - 4.90	1.91 - 2.06	60.43 - 60.73	1.47 <i>0.058</i>	2.18 - 2.31	302 Stainless Steel
# RST-250	63.50 <i>2.500</i>	59.46 - 60.10	4.65 - 4.90	1.91 - 2.06	60.43 - 60.73	1.47 <i>0.058</i>	2.18 - 2.31	Spring Steel
# RST-255	65.00 <i>2.559</i>	61.14 - 61.77	4.65 - 4.90	1.91 - 2.06	62.10 - 62.41	1.47 <i>0.058</i>	2.18 - 2.31	Spring Steel

Indicates item not stocked at time of printing - Please enquire for lead time

E&OE Pricing and all details subject to change without notice - Copyright Miniature Bearings Australia Pty Ltd

MBA Size Listings are a guide to sizes only and must not be solely relied on for critical design information.

Spiral Rings - External - Medium/Heavy Duty

Part Number	Shaft Dia. (Ds) mm <i>inches</i>	Free Inside Dia (Df) mm <i>inches</i>	Radial Wall (S) mm <i>inches</i>	Thickness (T) mm <i>inches</i>	Groove Dia (Dg) mm <i>inches</i>	Groove Depth (d) mm <i>inches</i>	Groove Width (W) mm <i>inches</i>	Material
# RST-255-S02	65.00 <i>2.559</i>	61.14 - 61.77	4.65 - 4.90	1.91 - 2.06	62.10 - 62.41	1.47 <i>0.058</i>	2.18 - 2.31	302 Stainless Steel
# RST-262-S02	66.68 <i>2.625</i>	62.48 - 63.12	4.65 - 4.90	1.91 - 2.06	63.47 - 63.78	1.52 <i>0.060</i>	2.18 - 2.31	302 Stainless Steel
# RST-262	66.68 <i>2.625</i>	62.48 - 63.12	4.65 - 4.90	1.91 - 2.06	63.47 - 63.78	1.52 <i>0.060</i>	2.18 - 2.31	Spring Steel
# RST-268-S02	68.25 <i>2.687</i>	64.01 - 64.64	4.65 - 4.90	1.91 - 2.06	65.00 - 65.30	1.55 <i>0.061</i>	2.18 - 2.31	302 Stainless Steel
# RST-268	68.25 <i>2.687</i>	64.01 - 64.64	4.65 - 4.90	1.91 - 2.06	65.00 - 65.30	1.55 <i>0.061</i>	2.18 - 2.31	Spring Steel
# RST-275	69.85 <i>2.750</i>	65.38 - 66.14	4.65 - 4.90	2.29 - 2.44	66.52 - 66.83	1.60 <i>0.063</i>	2.62 - 2.74	Spring Steel
# RST-275-S02	69.85 <i>2.750</i>	65.38 - 66.14	4.65 - 4.90	2.29 - 2.44	66.52 - 66.83	1.60 <i>0.063</i>	2.62 - 2.74	302 Stainless Steel
# RST-287	73.03 <i>2.875</i>	68.38 - 69.14	4.65 - 4.90	2.29 - 2.44	69.49 - 69.80	1.70 <i>0.067</i>	2.62 - 2.74	Spring Steel
# RST-287-S02	73.03 <i>2.875</i>	68.38 - 69.14	4.65 - 4.90	2.29 - 2.44	69.49 - 69.80	1.70 <i>0.067</i>	2.62 - 2.74	302 Stainless Steel
# RST-293	74.60 <i>2.937</i>	69.85 - 70.61	4.65 - 4.90	2.29 - 2.44	70.99 - 71.30	1.73 <i>0.068</i>	2.62 - 2.74	Spring Steel

Indicates item not stocked at time of printing - Please enquire for lead time

E&OE Pricing and all details subject to change without notice - Copyright Miniature Bearings Australia Pty Ltd

MBA Size Listings are a guide to sizes only and must not be solely relied on for critical design information.

Spiral Rings - External - Medium/Heavy Duty

Part Number	Shaft Dia. (Ds) mm <i>inches</i>	Free Inside Dia (Df) mm <i>inches</i>	Radial Wall (S) mm <i>inches</i>	Thickness (T) mm <i>inches</i>	Groove Dia (Dg) mm <i>inches</i>	Groove Depth (d) mm <i>inches</i>	Groove Width (W) mm <i>inches</i>	Material
# RST-293-S02	74.60 <i>2.937</i>	69.85 - 70.61	4.65 - 4.90	2.29 - 2.44	70.99 - 71.30	1.73 <i>0.068</i>	2.62 - 2.74	302 Stainless Steel
# RST-300	76.20 <i>3.000</i>	71.32 - 72.09	4.65 - 4.90	2.29 - 2.44	72.49 - 72.80	1.78 <i>0.070</i>	2.62 - 2.74	Spring Steel
# RST-300-S02	76.20 <i>3.000</i>	71.32 - 72.09	4.65 - 4.90	2.29 - 2.44	72.49 - 72.80	1.78 <i>0.070</i>	2.62 - 2.74	302 Stainless Steel
# RST-306	77.77 <i>3.062</i>	72.82 - 73.58	4.65 - 4.90	2.29 - 2.44	74.02 - 74.32	1.80 <i>0.071</i>	2.62 - 2.74	Spring Steel
# RST-306-S02	77.77 <i>3.062</i>	72.82 - 73.58	4.65 - 4.90	2.29 - 2.44	74.02 - 74.32	1.80 <i>0.071</i>	2.62 - 2.74	302 Stainless Steel
# RST-312	79.38 <i>3.125</i>	74.35 - 75.11	4.65 - 4.90	2.29 - 2.44	75.54 - 75.84	1.85 <i>0.073</i>	2.62 - 2.74	Spring Steel
# RST-312-S02	79.38 <i>3.125</i>	74.35 - 75.11	4.65 - 4.90	2.29 - 2.44	75.54 - 75.84	1.85 <i>0.073</i>	2.62 - 2.74	302 Stainless Steel
# RST-315	80.16 <i>3.156</i>	75.08 - 75.84	4.65 - 4.90	2.29 - 2.44	76.30 - 76.61	1.85 <i>0.073</i>	2.62 - 2.74	Spring Steel
# RST-315-S02	80.16 <i>3.156</i>	75.08 - 75.84	4.65 - 4.90	2.29 - 2.44	76.30 - 76.61	1.85 <i>0.073</i>	2.62 - 2.74	302 Stainless Steel
# RST-325-S02	82.55 <i>3.250</i>	77.34 - 78.11	4.65 - 4.90	2.29 - 2.44	78.59 - 78.89	1.91 <i>0.075</i>	2.62 - 2.74	302 Stainless Steel

Indicates item not stocked at time of printing - Please enquire for lead time

E&OE Pricing and all details subject to change without notice - Copyright Miniature Bearings Australia Pty Ltd

MBA Size Listings are a guide to sizes only and must not be solely relied on for critical design information.

Spiral Rings - External - Medium/Heavy Duty

Part Number	Shaft Dia. (Ds) mm <i>inches</i>	Free Inside Dia (Df) mm <i>inches</i>	Radial Wall (S) mm <i>inches</i>	Thickness (T) mm <i>inches</i>	Groove Dia (Dg) mm <i>inches</i>	Groove Depth (d) mm <i>inches</i>	Groove Width (W) mm <i>inches</i>	Material
# RST-325	82.55 <i>3.250</i>	77.34 - 78.11	4.65 - 4.90	2.29 - 2.44	78.59 - 78.89	1.91 <i>0.075</i>	2.62 - 2.74	Spring Steel
# RST-334-S02	84.68 <i>3.334</i>	79.60 - 80.37	4.65 - 4.90	2.29 - 2.44	80.87 - 81.18	1.96 <i>0.077</i>	2.62 - 2.74	302 Stainless Steel
# RST-334	84.68 <i>3.334</i>	79.60 - 80.37	4.65 - 4.90	2.29 - 2.44	80.87 - 81.18	1.96 <i>0.077</i>	2.62 - 2.74	Spring Steel
# RST-343	87.30 <i>3.437</i>	81.89 - 82.65	4.65 - 4.90	2.29 - 2.44	83.16 - 83.46	2.01 <i>0.079</i>	2.62 - 2.74	Spring Steel
# RST-343-S02	87.30 <i>3.437</i>	81.89 - 82.65	4.65 - 4.90	2.29 - 2.44	83.16 - 83.46	2.01 <i>0.079</i>	2.62 - 2.74	302 Stainless Steel
# RST-350	88.90 <i>3.500</i>	83.19 - 84.20	6.22 - 6.48	2.74 - 2.90	84.68 - 84.99	2.03 <i>0.080</i>	3.05 - 3.18	Spring Steel
# RST-350-S02	88.90 <i>3.500</i>	83.19 - 84.20	6.22 - 6.48	2.74 - 2.90	84.68 - 84.99	2.03 <i>0.080</i>	3.05 - 3.18	302 Stainless Steel
# RST-354	89.99 <i>3.543</i>	84.23 - 85.24	6.22 - 6.48	2.74 - 2.90	85.73 - 86.03	2.06 <i>0.081</i>	3.05 - 3.18	Spring Steel
# RST-354-S02	89.99 <i>3.543</i>	84.23 - 85.24	6.22 - 6.48	2.74 - 2.90	85.73 - 86.03	2.06 <i>0.081</i>	3.05 - 3.18	302 Stainless Steel
# RST-362-S02	92.08 <i>3.625</i>	86.18 - 87.20	6.22 - 6.48	2.74 - 2.90	87.68 - 87.99	2.13 <i>0.084</i>	3.05 - 3.18	302 Stainless Steel

Indicates item not stocked at time of printing - Please enquire for lead time

E&OE Pricing and all details subject to change without notice - Copyright Miniature Bearings Australia Pty Ltd

MBA Size Listings are a guide to sizes only and must not be solely relied on for critical design information.

Spiral Rings - External - Medium/Heavy Duty

Part Number	Shaft Dia. (Ds) mm <i>inches</i>	Free Inside Dia (Df) mm <i>inches</i>	Radial Wall (S) mm <i>inches</i>	Thickness (T) mm <i>inches</i>	Groove Dia (Dg) mm <i>inches</i>	Groove Depth (d) mm <i>inches</i>	Groove Width (W) mm <i>inches</i>	Material
# RST-362	92.08 <i>3.625</i>	86.18 - 87.20	6.22 - 6.48	2.74 - 2.90	87.68 - 87.99	2.13 <i>0.084</i>	3.05 - 3.18	Spring Steel
# RST-368	93.65 <i>3.687</i>	87.45 - 88.47	6.22 - 6.48	2.74 - 2.90	89.18 - 89.48	2.16 <i>0.085</i>	3.05 - 3.18	Spring Steel
# RST-368-S02	93.65 <i>3.687</i>	87.45 - 88.47	6.22 - 6.48	2.74 - 2.90	89.18 - 89.48	2.16 <i>0.085</i>	3.05 - 3.18	302 Stainless Steel
# RST-375	95.25 <i>3.750</i>	89.15 - 90.17	6.22 - 6.48	2.74 - 2.90	90.70 - 91.01	2.21 <i>0.087</i>	3.05 - 3.18	Spring Steel
# RST-375-S02	95.25 <i>3.750</i>	89.15 - 90.17	6.22 - 6.48	2.74 - 2.90	90.70 - 91.01	2.21 <i>0.087</i>	3.05 - 3.18	302 Stainless Steel
# RST-387-S02	98.43 <i>3.875</i>	92.20 - 93.22	6.22 - 6.48	2.74 - 2.90	93.73 - 94.03	2.29 <i>0.090</i>	3.05 - 3.18	302 Stainless Steel
# RST-387	98.43 <i>3.875</i>	92.20 - 93.22	6.22 - 6.48	2.74 - 2.90	93.73 - 94.03	2.29 <i>0.090</i>	3.05 - 3.18	Spring Steel
# RST-393-S02	100.03 <i>3.938</i>	93.73 - 94.74	6.22 - 6.48	2.74 - 2.90	95.25 - 95.55	2.31 <i>0.091</i>	3.05 - 3.18	302 Stainless Steel
# RST-393	100.03 <i>3.938</i>	93.73 - 94.74	6.22 - 6.48	2.74 - 2.90	95.25 - 95.55	2.31 <i>0.091</i>	3.05 - 3.18	Spring Steel
# RST-400-S02	101.60 <i>4.000</i>	95.17 - 96.19	6.22 - 6.48	2.74 - 2.90	96.75 - 97.05	2.36 <i>0.093</i>	3.05 - 3.18	302 Stainless Steel

Indicates item not stocked at time of printing - Please enquire for lead time

E&OE Pricing and all details subject to change without notice - Copyright Miniature Bearings Australia Pty Ltd

MBA Size Listings are a guide to sizes only and must not be solely relied on for critical design information.

Spiral Rings - External - Medium/Heavy Duty

Part Number	Shaft Dia. (Ds) mm <i>inches</i>	Free Inside Dia (Df) mm <i>inches</i>	Radial Wall (S) mm <i>inches</i>	Thickness (T) mm <i>inches</i>	Groove Dia (Dg) mm <i>inches</i>	Groove Depth (d) mm <i>inches</i>	Groove Width (W) mm <i>inches</i>	Material
# RST-400	101.60 <i>4.000</i>	95.17 - 96.19	6.22 - 6.48	2.74 - 2.90	96.75 - 97.05	2.36 <i>0.093</i>	3.05 - 3.18	Spring Steel
# RST-425	107.95 <i>4.250</i>	101.52 - 102.54	6.22 - 6.48	2.74 - 2.90	103.10 - 103.40	2.36 <i>0.093</i>	3.05 - 3.18	Spring Steel
# RST-425-S02	107.95 <i>4.250</i>	101.52 - 102.54	6.22 - 6.48	2.74 - 2.90	103.10 - 103.40	2.36 <i>0.093</i>	3.05 - 3.18	302 Stainless Steel
# RST-437	111.13 <i>4.375</i>	104.70 - 105.71	6.22 - 6.48	2.74 - 2.90	106.27 - 106.58	2.36 <i>0.093</i>	3.05 - 3.18	Spring Steel
# RST-437-S02	111.13 <i>4.375</i>	104.70 - 105.71	6.22 - 6.48	2.74 - 2.90	106.27 - 106.58	2.36 <i>0.093</i>	3.05 - 3.18	302 Stainless Steel
# RST-450-S02	114.30 <i>4.500</i>	107.70 - 108.71	6.22 - 6.48	2.74 - 2.90	109.32 - 109.63	2.41 <i>0.095</i>	3.05 - 3.18	302 Stainless Steel
# RST-450	114.30 <i>4.500</i>	107.70 - 108.71	6.22 - 6.48	2.74 - 2.90	109.32 - 109.63	2.41 <i>0.095</i>	3.05 - 3.18	Spring Steel
# RST-475	120.65 <i>4.750</i>	113.67 - 114.68	6.22 - 6.48	2.74 - 2.90	115.42 - 115.72	2.54 <i>0.100</i>	3.05 - 3.18	Spring Steel
# RST-475-S02	120.65 <i>4.750</i>	113.67 - 114.68	6.22 - 6.48	2.74 - 2.90	115.42 - 115.72	2.54 <i>0.100</i>	3.05 - 3.18	302 Stainless Steel
# RST-500	127.00 <i>5.000</i>	119.76 - 120.78	6.22 - 6.48	2.74 - 2.90	121.51 - 121.82	2.67 <i>0.105</i>	3.05 - 3.18	Spring Steel

Indicates item not stocked at time of printing - Please enquire for lead time

E&OE Pricing and all details subject to change without notice - Copyright Miniature Bearings Australia Pty Ltd

MBA Size Listings are a guide to sizes only and must not be solely relied on for critical design information.

Spiral Rings - External - Medium/Heavy Duty

Part Number	Shaft Dia. (Ds) mm <i>inches</i>	Free Inside Dia (Df) mm <i>inches</i>	Radial Wall (S) mm <i>inches</i>	Thickness (T) mm <i>inches</i>	Groove Dia (Dg) mm <i>inches</i>	Groove Depth (d) mm <i>inches</i>	Groove Width (W) mm <i>inches</i>	Material
# RST-500-S02	127.00 <i>5.000</i>	119.76 - 120.78	6.22 - 6.48	2.74 - 2.90	121.51 - 121.82	2.67 <i>0.105</i>	3.05 - 3.18	302 Stainless Steel
# RST-525-S02	133.35 <i>5.250</i>	125.60 - 126.87	9.37 - 9.68	3.12 - 3.33	127.58 - 127.94	2.79 <i>0.110</i>	3.53 - 3.68	302 Stainless Steel
# RST-525	133.35 <i>5.250</i>	125.60 - 126.87	9.37 - 9.68	3.12 - 3.33	127.58 - 127.94	2.79 <i>0.110</i>	3.53 - 3.68	Spring Steel
# RST-550	139.70 <i>5.500</i>	131.55 - 132.82	9.37 - 9.68	3.12 - 3.33	133.55 - 133.91	3.00 <i>0.118</i>	3.53 - 3.68	Spring Steel
# RST-550-S02	139.70 <i>5.500</i>	131.55 - 132.82	9.37 - 9.68	3.12 - 3.33	133.55 - 133.91	3.00 <i>0.118</i>	3.53 - 3.68	302 Stainless Steel
# RST-575-S02	146.05 <i>5.750</i>	137.57 - 138.84	9.37 - 9.68	3.12 - 3.33	139.65 - 140.00	3.12 <i>0.123</i>	3.53 - 3.68	302 Stainless Steel
# RST-575	146.05 <i>5.750</i>	137.57 - 138.84	9.37 - 9.68	3.12 - 3.33	139.65 - 140.00	3.12 <i>0.123</i>	3.53 - 3.68	Spring Steel
# RST-600	152.40 <i>6.000</i>	143.64 - 144.91	9.37 - 9.68	3.12 - 3.33	145.75 - 146.10	3.25 <i>0.128</i>	3.53 - 3.68	Spring Steel
# RST-600-S02	152.40 <i>6.000</i>	143.64 - 144.91	9.37 - 9.68	3.12 - 3.33	145.75 - 146.10	3.25 <i>0.128</i>	3.53 - 3.68	302 Stainless Steel
# RST-625-S02	158.75 <i>6.250</i>	149.30 - 150.83	7.77 - 8.08	4.06 - 4.32	151.82 - 152.22	3.38 <i>0.133</i>	4.42 - 4.62	302 Stainless Steel

Indicates item not stocked at time of printing - Please enquire for lead time

E&OE Pricing and all details subject to change without notice - Copyright Miniature Bearings Australia Pty Ltd

MBA Size Listings are a guide to sizes only and must not be solely relied on for critical design information.

Spiral Rings - External - Medium/Heavy Duty

Part Number	Shaft Dia. (Ds) mm <i>inches</i>	Free Inside Dia (Df) mm <i>inches</i>	Radial Wall (S) mm <i>inches</i>	Thickness (T) mm <i>inches</i>	Groove Dia (Dg) mm <i>inches</i>	Groove Depth (d) mm <i>inches</i>	Groove Width (W) mm <i>inches</i>	Material
# RST-625	158.75 <i>6.250</i>	149.30 - 150.83	7.77 - 8.08	4.06 - 4.32	151.82 - 152.22	3.38 <i>0.133</i>	4.42 - 4.62	Spring Steel
# RST-650	165.10 <i>6.500</i>	155.50 - 157.02	7.77 - 8.08	4.06 - 4.32	157.91 - 158.32	3.51 <i>0.138</i>	4.42 - 4.62	Spring Steel
# RST-650-S02	165.10 <i>6.500</i>	155.50 - 157.02	7.77 - 8.08	4.06 - 4.32	157.91 - 158.32	3.51 <i>0.138</i>	4.42 - 4.62	302 Stainless Steel
# RST-675	171.45 <i>6.750</i>	161.54 - 163.07	7.77 - 8.08	4.06 - 4.32	164.01 - 164.41	3.63 <i>0.143</i>	4.42 - 4.62	Spring Steel
# RST-675-S02	171.45 <i>6.750</i>	161.54 - 163.07	7.77 - 8.08	4.06 - 4.32	164.01 - 164.41	3.63 <i>0.143</i>	4.42 - 4.62	302 Stainless Steel
# RST-700	177.80 <i>7.000</i>	167.59 - 169.11	7.77 - 8.08	4.06 - 4.32	170.10 - 170.51	3.76 <i>0.148</i>	4.42 - 4.62	Spring Steel
# RST-700-S02	177.80 <i>7.000</i>	167.59 - 169.11	7.77 - 8.08	4.06 - 4.32	170.10 - 170.51	3.76 <i>0.148</i>	4.42 - 4.62	302 Stainless Steel
# RST-725-S02	184.15 <i>7.250</i>	173.33 - 175.11	7.77 - 8.08	4.67 - 4.93	176.12 - 176.53	3.91 <i>0.154</i>	4.42 - 4.62	302 Stainless Steel
# RST-725	184.15 <i>7.250</i>	173.33 - 175.11	7.77 - 8.08	4.67 - 4.93	176.12 - 176.53	3.91 <i>0.154</i>	4.42 - 4.62	Spring Steel
# RST-750-S02	190.50 <i>7.500</i>	179.32 - 181.10	9.37 - 9.68	4.67 - 4.93	182.17 - 182.58	4.06 <i>0.160</i>	5.31 - 5.51	302 Stainless Steel

Indicates item not stocked at time of printing - Please enquire for lead time

E&OE Pricing and all details subject to change without notice - Copyright Miniature Bearings Australia Pty Ltd

MBA Size Listings are a guide to sizes only and must not be solely relied on for critical design information.

Spiral Rings - External - Medium/Heavy Duty

Part Number	Shaft Dia. (Ds) mm <i>inches</i>	Free Inside Dia (Df) mm <i>inches</i>	Radial Wall (S) mm <i>inches</i>	Thickness (T) mm <i>inches</i>	Groove Dia (Dg) mm <i>inches</i>	Groove Depth (d) mm <i>inches</i>	Groove Width (W) mm <i>inches</i>	Material
# RST-750	190.50 <i>7.500</i>	179.32 - 181.10	9.37 - 9.68	4.67 - 4.93	182.17 - 182.58	4.06 <i>0.160</i>	5.31 - 5.51	Spring Steel
# RST-775	196.85 <i>7.750</i>	185.37 - 187.15	9.37 - 9.68	4.67 - 4.93	188.26 - 188.67	4.19 <i>0.165</i>	5.31 - 5.51	Spring Steel
# RST-775-S02	196.85 <i>7.750</i>	185.37 - 187.15	9.37 - 9.68	4.67 - 4.93	188.26 - 188.67	4.19 <i>0.165</i>	5.31 - 5.51	302 Stainless Steel
# RST-800-S02	203.20 <i>8.000</i>	191.44 - 193.22	9.37 - 9.68	4.67 - 4.93	194.36 - 194.77	4.32 <i>0.170</i>	5.31 - 5.51	302 Stainless Steel
# RST-800	203.20 <i>8.000</i>	191.44 - 193.22	9.37 - 9.68	4.67 - 4.93	194.36 - 194.77	4.32 <i>0.170</i>	5.31 - 5.51	Spring Steel
# RST-825-S02	209.55 <i>8.250</i>	197.49 - 199.26	9.37 - 9.68	4.67 - 4.93	200.46 - 200.86	4.45 <i>0.175</i>	5.31 - 5.51	302 Stainless Steel
# RST-825	209.55 <i>8.250</i>	197.49 - 199.26	9.37 - 9.68	4.67 - 4.93	200.46 - 200.86	4.45 <i>0.175</i>	5.31 - 5.51	Spring Steel
# RST-850	215.90 <i>8.500</i>	203.53 - 205.31	9.37 - 9.68	4.67 - 4.93	206.55 - 206.96	4.57 <i>0.180</i>	5.31 - 5.51	Spring Steel
# RST-850-S02	215.90 <i>8.500</i>	203.53 - 205.31	9.37 - 9.68	4.67 - 4.93	206.55 - 206.96	4.57 <i>0.180</i>	5.31 - 5.51	302 Stainless Steel
# RST-875	222.25 <i>8.750</i>	209.58 - 211.35	9.37 - 9.68	4.67 - 4.93	212.73 - 213.13	4.67 <i>0.184</i>	5.31 - 5.51	Spring Steel

Indicates item not stocked at time of printing - Please enquire for lead time

E&OE Pricing and all details subject to change without notice - Copyright Miniature Bearings Australia Pty Ltd

MBA Size Listings are a guide to sizes only and must not be solely relied on for critical design information.

Spiral Rings - External - Medium/Heavy Duty

Part Number	Shaft Dia. (Ds) mm <i>inches</i>	Free Inside Dia (Df) mm <i>inches</i>	Radial Wall (S) mm <i>inches</i>	Thickness (T) mm <i>inches</i>	Groove Dia (Dg) mm <i>inches</i>	Groove Depth (d) mm <i>inches</i>	Groove Width (W) mm <i>inches</i>	Material
# RST-875-S02	222.25 <i>8.750</i>	209.58 - 211.35	9.37 - 9.68	4.67 - 4.93	212.73 - 213.13	4.67 <i>0.184</i>	5.31 - 5.51	302 Stainless Steel
# RST-900	228.60 <i>9.000</i>	215.65 - 217.42	9.37 - 9.68	4.67 - 4.93	218.74 - 219.15	4.83 <i>0.190</i>	5.31 - 5.51	Spring Steel
# RST-900-S02	228.60 <i>9.000</i>	215.65 - 217.42	9.37 - 9.68	4.67 - 4.93	218.74 - 219.15	4.83 <i>0.190</i>	5.31 - 5.51	302 Stainless Steel
# RST-925-S02	234.95 <i>9.250</i>	221.69 - 223.47	9.37 - 9.68	4.67 - 4.93	224.84 - 225.25	4.95 <i>0.195</i>	5.31 - 5.51	302 Stainless Steel
# RST-925	234.95 <i>9.250</i>	221.69 - 223.47	9.37 - 9.68	4.67 - 4.93	224.84 - 225.25	4.95 <i>0.195</i>	5.31 - 5.51	Spring Steel
# RST-950	241.30 <i>9.500</i>	227.74 - 229.51	9.37 - 9.68	4.67 - 4.93	230.94 - 231.34	5.08 <i>0.200</i>	5.31 - 5.51	Spring Steel
# RST-950-S02	241.30 <i>9.500</i>	227.74 - 229.51	9.37 - 9.68	4.67 - 4.93	230.94 - 231.34	5.08 <i>0.200</i>	5.31 - 5.51	302 Stainless Steel
# RST-975-S02	247.65 <i>9.750</i>	233.76 - 235.53	9.37 - 9.68	4.67 - 4.93	236.98 - 237.39	5.23 <i>0.206</i>	5.31 - 5.51	302 Stainless Steel
# RST-975	247.65 <i>9.750</i>	233.76 - 235.53	9.37 - 9.68	4.67 - 4.93	236.98 - 237.39	5.23 <i>0.206</i>	5.31 - 5.51	Spring Steel
# RST-1000-S02	254.00 <i>10.000</i>	239.73 - 241.50	9.37 - 9.68	4.67 - 4.93	243.00 - 243.41	5.41 <i>0.213</i>	5.31 - 5.51	302 Stainless Steel

Indicates item not stocked at time of printing - Please enquire for lead time

E&OE Pricing and all details subject to change without notice - Copyright Miniature Bearings Australia Pty Ltd

MBA Size Listings are a guide to sizes only and must not be solely relied on for critical design information.

Spiral Rings - External - Medium/Heavy Duty

Part Number	Shaft Dia. (Ds) mm	Free Inside Dia (Df) mm	Radial Wall (S) mm	Thickness (T) mm	Groove Dia (Dg) mm	Groove Depth (d) mm	Groove Width (W) mm	Material
	<i>inches</i>	<i>inches</i>	<i>inches</i>	<i>inches</i>	<i>inches</i>	<i>inches</i>	<i>inches</i>	
# RST-1000	254.00 <i>10.000</i>	239.73 - 241.50	9.37 - 9.68	4.67 - 4.93	243.00 - 243.41	5.41 <i>0.213</i>	5.31 - 5.51	Spring Steel

Indicates item not stocked at time of printing - Please enquire for lead time

E&OE Pricing and all details subject to change without notice - Copyright Miniature Bearings Australia Pty Ltd

MBA Size Listings are a guide to sizes only and must not be solely relied on for critical design information.



DISTRIBUTED BY

Ask us to put your name and address here

<http://www.minibearings.com.au/product>

Ph +61 7 3245 7977

Fax +61 7 3245 1017

Catalogue requests to catalogues@minibearings.com.au

