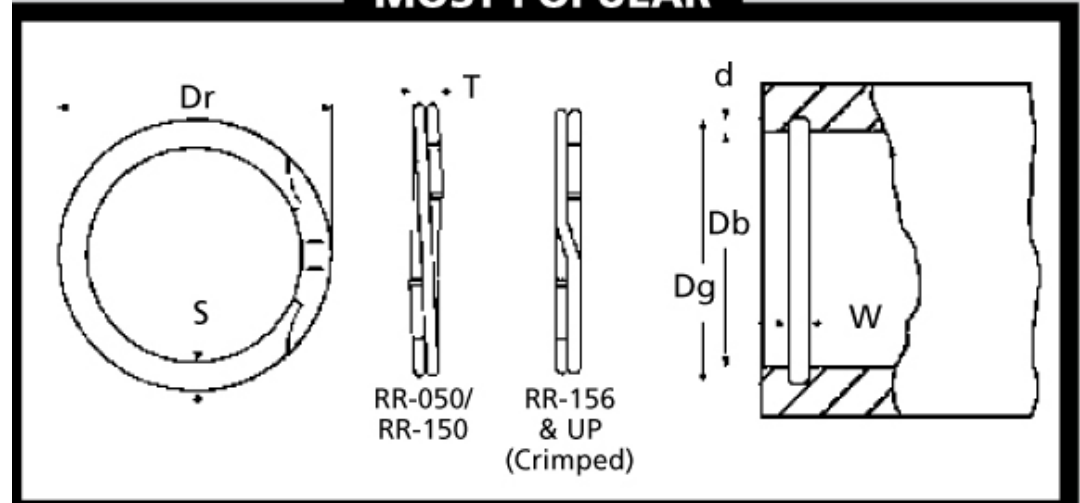




# MBA

## Spiral Rings - Internal - Medium Duty

**MOST POPULAR**



Includes AI / WH / AS3217 / RR / MIL-R-27426B1 - Spring Steel and Stainless Steel.

Popular series that will accommodate light and medium bearing series thrust loads.

Available in military and aerospace specifications.

Equivalent to Associated Spring: AI, Smalley: WH, Spirolox and Ramsey: RR, Aerospace AS3217, MIL-R-27426B1

### Spiral Rings - Internal - Medium Duty

Part Number	Bore (Db) mm <i>inches</i>	Free Outside Dia. (Dr) mm <i>inches</i>	Radial Wall (S) mm <i>inches</i>	Thickness (T) mm <i>inches</i>	Groove Dia. (Dg) mm <i>inches</i>	Groove Depth (d) mm <i>inches</i>	Groove Width (W) mm <i>inches</i>	Material
# RR-050	12.70 <i>0.500</i>	13.51 - 13.84	1.04 - 1.24	0.58 - 0.69	13.31 - 13.41	0.33 <i>0.013</i>	0.76 - 0.84	Spring Steel
# RR-050-S02	12.70 <i>0.500</i>	15.09 - 15.42	1.04 - 1.24	0.58 - 0.69	14.88 - 14.99	0.33 <i>0.013</i>	0.76 - 0.84	302 Stainless Steel
# RR-051	13.00 <i>0.512</i>	13.82 - 14.15	1.04 - 1.24	0.58 - 0.69	13.61 - 13.72	0.33 <i>0.013</i>	0.76 - 0.84	Spring Steel

# Indicates item not stocked at time of printing - Please enquire for lead time

E&OE Pricing and all details subject to change without notice - Copyright Miniature Bearings Australia Pty Ltd

MBA Size Listings are a guide to sizes only and must not be solely relied on for critical design information.

## Spiral Rings - Internal - Medium Duty

Part Number	Bore (Db) mm <i>inches</i>	Free Outside Dia. (Dr) mm <i>inches</i>	Radial Wall (S) mm <i>inches</i>	Thickness (T) mm <i>inches</i>	Groove Dia. (Dg) mm <i>inches</i>	Groove Depth (d) mm <i>inches</i>	Groove Width (W) mm <i>inches</i>	Material
# RR-051-S02	13.00 <i>0.512</i>	15.90 - 16.23	1.04 - 1.24	0.58 - 0.69	15.67 - 15.77	0.33 <i>0.013</i>	0.76 - 0.84	302 Stainless Steel
# RR-053	13.49 <i>0.531</i>	14.33 - 14.66	1.04 - 1.24	0.58 - 0.69	14.10 - 14.20	0.33 <i>0.013</i>	0.76 - 0.84	Spring Steel
# RR-053-S02	13.49 <i>0.531</i>	16.71 - 17.04	1.04 - 1.24	0.58 - 0.69	16.48 - 16.59	0.33 <i>0.013</i>	0.76 - 0.84	302 Stainless Steel
# RR-056	14.27 <i>0.562</i>	15.09 - 15.42	1.04 - 1.24	0.58 - 0.69	14.88 - 14.99	0.33 <i>0.013</i>	0.76 - 0.84	Spring Steel
# RR-056-S02	14.27 <i>0.562</i>	17.50 - 17.83	1.04 - 1.24	0.58 - 0.69	17.27 - 17.37	0.33 <i>0.013</i>	0.76 - 0.84	302 Stainless Steel
# RR-059	15.09 <i>0.594</i>	15.90 - 16.23	1.04 - 1.24	0.58 - 0.69	15.67 - 15.77	0.33 <i>0.013</i>	0.76 - 0.84	Spring Steel
# RR-059-S02	15.09 <i>0.594</i>	18.29 - 18.62	1.04 - 1.24	0.58 - 0.69	18.06 - 18.16	0.33 <i>0.013</i>	0.76 - 0.84	302 Stainless Steel
# RR-062	15.88 <i>0.625</i>	16.71 - 17.04	1.04 - 1.24	0.58 - 0.69	16.48 - 16.59	0.33 <i>0.013</i>	0.76 - 0.84	Spring Steel
# RR-062-S02	15.88 <i>0.625</i>	19.08 - 19.41	1.55 - 1.75	0.74 - 0.84	18.85 - 18.95	0.41 <i>0.016</i>	0.91 - 0.99	302 Stainless Steel
# RR-065	16.66 <i>0.656</i>	17.50 - 17.83	1.04 - 1.24	0.58 - 0.69	17.27 - 17.37	0.33 <i>0.013</i>	0.76 - 0.84	Spring Steel

# Indicates item not stocked at time of printing - Please enquire for lead time

E&OE Pricing and all details subject to change without notice - Copyright Miniature Bearings Australia Pty Ltd

MBA Size Listings are a guide to sizes only and must not be solely relied on for critical design information.

## Spiral Rings - Internal - Medium Duty

Part Number	Bore (Db) mm <i>inches</i>	Free Outside Dia. (Dr) mm <i>inches</i>	Radial Wall (S) mm <i>inches</i>	Thickness (T) mm <i>inches</i>	Groove Dia. (Dg) mm <i>inches</i>	Groove Depth (d) mm <i>inches</i>	Groove Width (W) mm <i>inches</i>	Material
# RR-065-S02	16.66 <i>0.656</i>	20.07 - 20.40	1.55 - 1.75	0.74 - 0.84	19.81 - 19.91	0.41 <i>0.016</i>	0.91 - 0.99	302 Stainless Steel
# RR-068	17.45 <i>0.687</i>	18.29 - 18.62	1.04 - 1.24	0.58 - 0.69	18.06 - 18.16	0.33 <i>0.013</i>	0.76 - 0.84	Spring Steel
# RR-068-S02	17.45 <i>0.687</i>	20.75 - 21.08	1.55 - 1.75	0.74 - 0.84	20.45 - 20.60	0.41 <i>0.016</i>	0.91 - 0.99	302 Stainless Steel
# RR-071	18.24 <i>0.718</i>	19.08 - 19.41	1.55 - 1.75	0.74 - 0.84	18.85 - 18.95	0.41 <i>0.016</i>	0.91 - 0.99	Spring Steel
# RR-071-S02	18.24 <i>0.718</i>	20.85 - 21.18	1.55 - 1.75	0.74 - 0.84	20.55 - 20.70	0.41 <i>0.016</i>	0.91 - 0.99	302 Stainless Steel
# RR-075	19.05 <i>0.750</i>	20.07 - 20.40	1.55 - 1.75	0.74 - 0.84	19.81 - 19.91	0.41 <i>0.016</i>	0.91 - 0.99	Spring Steel
# RR-075-S02	19.05 <i>0.750</i>	21.67 - 22.00	1.55 - 1.75	0.74 - 0.84	21.34 - 21.49	0.41 <i>0.016</i>	0.91 - 0.99	302 Stainless Steel
# RR-077	19.74 <i>0.777</i>	20.75 - 21.08	1.55 - 1.75	0.74 - 0.84	20.45 - 20.60	0.41 <i>0.016</i>	0.91 - 0.99	Spring Steel
# RR-077-S02	19.74 <i>0.777</i>	22.58 - 22.91	1.55 - 1.75	0.74 - 0.84	22.28 - 22.43	0.48 <i>0.019</i>	0.91 - 0.99	302 Stainless Steel
# RR-078	19.84 <i>0.781</i>	20.85 - 21.18	1.55 - 1.75	0.74 - 0.84	20.55 - 20.70	0.41 <i>0.016</i>	0.91 - 0.99	Spring Steel

# Indicates item not stocked at time of printing - Please enquire for lead time

E&OE Pricing and all details subject to change without notice - Copyright Miniature Bearings Australia Pty Ltd

MBA Size Listings are a guide to sizes only and must not be solely relied on for critical design information.

## Spiral Rings - Internal - Medium Duty

Part Number	Bore (Db) mm <i>inches</i>	Free Outside Dia. (Dr) mm <i>inches</i>	Radial Wall (S) mm <i>inches</i>	Thickness (T) mm <i>inches</i>	Groove Dia. (Dg) mm <i>inches</i>	Groove Depth (d) mm <i>inches</i>	Groove Width (W) mm <i>inches</i>	Material
# RR-078-S02	19.84 <i>0.781</i>	23.19 - 23.52	1.55 - 1.75	0.74 - 0.84	22.86 - 23.01	0.48 <i>0.019</i>	0.91 - 0.99	302 Stainless Steel
# RR-081	20.62 <i>0.812</i>	21.67 - 22.00	1.55 - 1.75	0.74 - 0.84	21.34 - 21.49	0.41 <i>0.016</i>	0.91 - 0.99	Spring Steel
# RR-081-S02	20.62 <i>0.812</i>	23.42 - 23.75	1.55 - 1.75	0.74 - 0.84	23.09 - 23.24	0.48 <i>0.019</i>	0.91 - 0.99	302 Stainless Steel
# RR-084	21.41 <i>0.843</i>	22.58 - 22.91	1.55 - 1.75	0.74 - 0.84	22.28 - 22.43	0.48 <i>0.019</i>	0.91 - 0.99	Spring Steel
# RR-084-S02	21.41 <i>0.843</i>	24.10 - 24.43	1.55 - 1.75	0.74 - 0.84	23.77 - 23.93	0.48 <i>0.019</i>	0.91 - 0.99	302 Stainless Steel
# RR-086	22.00 <i>0.866</i>	23.19 - 23.52	1.55 - 1.75	0.74 - 0.84	22.86 - 23.01	0.48 <i>0.019</i>	0.91 - 0.99	Spring Steel
# RR-086-S02	22.00 <i>0.866</i>	25.04 - 25.37	1.80 - 2.01	0.89 - 0.99	24.69 - 24.84	0.48 <i>0.019</i>	0.91 - 0.99	302 Stainless Steel
# RR-087	22.23 <i>0.875</i>	23.42 - 23.75	1.55 - 1.75	0.74 - 0.84	23.09 - 23.24	0.48 <i>0.019</i>	0.91 - 0.99	Spring Steel
# RR-087-S02	22.23 <i>0.875</i>	26.04 - 26.37	1.80 - 2.01	0.89 - 0.99	25.70 - 25.86	0.53 <i>0.021</i>	1.07 - 1.14	302 Stainless Steel
# RR-090	23.01 <i>0.906</i>	24.10 - 24.43	1.55 - 1.75	0.74 - 0.84	23.77 - 23.93	0.48 <i>0.019</i>	0.91 - 0.99	Spring Steel

# Indicates item not stocked at time of printing - Please enquire for lead time

E&OE Pricing and all details subject to change without notice - Copyright Miniature Bearings Australia Pty Ltd

MBA Size Listings are a guide to sizes only and must not be solely relied on for critical design information.

## Spiral Rings - Internal - Medium Duty

Part Number	Bore (Db) mm <i>inches</i>	Free Outside Dia. (Dr) mm <i>inches</i>	Radial Wall (S) mm <i>inches</i>	Thickness (T) mm <i>inches</i>	Groove Dia. (Dg) mm <i>inches</i>	Groove Depth (d) mm <i>inches</i>	Groove Width (W) mm <i>inches</i>	Material
# RR-090-S02	23.01 <i>0.906</i>	26.44 - 26.77	1.80 - 2.01	0.89 - 0.99	26.09 - 26.24	0.53 <i>0.021</i>	1.07 - 1.14	302 Stainless Steel
# RR-093	23.83 <i>0.938</i>	25.04 - 25.37	1.80 - 2.01	0.89 - 0.99	24.69 - 24.84	0.48 <i>0.019</i>	0.91 - 0.99	Spring Steel
# RR-093-S02	23.83 <i>0.938</i>	26.77 - 27.10	1.80 - 2.01	0.89 - 0.99	26.42 - 26.57	0.53 <i>0.021</i>	1.07 - 1.14	302 Stainless Steel
# RR-096	24.59 <i>0.968</i>	26.04 - 26.37	1.80 - 2.01	0.89 - 0.99	25.70 - 25.86	0.53 <i>0.021</i>	1.07 - 1.14	Spring Steel
# RR-096-S02	24.59 <i>0.968</i>	27.38 - 27.71	1.80 - 2.01	0.89 - 0.99	27.00 - 27.15	0.53 <i>0.021</i>	1.07 - 1.14	302 Stainless Steel
# RR-098	25.07 <i>0.987</i>	26.44 - 26.77	1.80 - 2.01	0.89 - 0.99	26.09 - 26.24	0.53 <i>0.021</i>	1.07 - 1.14	Spring Steel
# RR-098-S02	25.07 <i>0.987</i>	27.53 - 27.86	1.80 - 2.01	0.89 - 0.99	27.20 - 27.36	0.53 <i>0.021</i>	1.07 - 1.14	302 Stainless Steel
# RR-100	25.40 <i>1.000</i>	26.77 - 27.10	1.80 - 2.01	0.89 - 0.99	26.42 - 26.57	0.53 <i>0.021</i>	1.07 - 1.14	Spring Steel
# RR-100-S02	25.40 <i>1.000</i>	28.37 - 28.75	1.80 - 2.01	0.89 - 0.99	27.94 - 28.14	0.53 <i>0.021</i>	1.07 - 1.14	302 Stainless Steel
# RR-102	25.98 <i>1.023</i>	27.38 - 27.71	1.80 - 2.01	0.89 - 0.99	27.00 - 27.15	0.53 <i>0.021</i>	1.07 - 1.14	Spring Steel

# Indicates item not stocked at time of printing - Please enquire for lead time

E&OE Pricing and all details subject to change without notice - Copyright Miniature Bearings Australia Pty Ltd

MBA Size Listings are a guide to sizes only and must not be solely relied on for critical design information.

## Spiral Rings - Internal - Medium Duty

Part Number	Bore (Db) mm <i>inches</i>	Free Outside Dia. (Dr) mm <i>inches</i>	Radial Wall (S) mm <i>inches</i>	Thickness (T) mm <i>inches</i>	Groove Dia. (Dg) mm <i>inches</i>	Groove Depth (d) mm <i>inches</i>	Groove Width (W) mm <i>inches</i>	Material
# RR-102-S02	25.98 <i>1.023</i>	29.13 - 29.51	1.80 - 2.01	0.89 - 0.99	28.73 - 28.93	0.53 <i>0.021</i>	1.07 - 1.14	302 Stainless Steel
# RR-103	26.19 <i>1.031</i>	27.53 - 27.86	1.80 - 2.01	0.89 - 0.99	27.20 - 27.36	0.53 <i>0.021</i>	1.07 - 1.14	Spring Steel
# RR-103-S02	26.19 <i>1.031</i>	29.97 - 30.35	1.80 - 2.01	0.89 - 0.99	29.54 - 29.74	0.53 <i>0.021</i>	1.07 - 1.14	302 Stainless Steel
# RR-106	26.97 <i>1.062</i>	28.37 - 28.75	1.80 - 2.01	0.89 - 0.99	27.94 - 28.14	0.53 <i>0.021</i>	1.07 - 1.14	Spring Steel
# RR-106-S02	26.97 <i>1.062</i>	30.73 - 31.12	1.80 - 2.01	0.89 - 0.99	30.33 - 30.53	0.53 <i>0.021</i>	1.07 - 1.14	302 Stainless Steel
# RR-109	27.76 <i>1.093</i>	29.13 - 29.51	1.80 - 2.01	0.89 - 0.99	28.73 - 28.93	0.53 <i>0.021</i>	1.07 - 1.14	Spring Steel
# RR-109-S02	27.76 <i>1.093</i>	31.72 - 32.11	2.06 - 2.26	1.04 - 1.14	31.29 - 31.50	0.61 <i>0.024</i>	1.22 - 1.32	302 Stainless Steel
# RR-112	28.58 <i>1.125</i>	29.97 - 30.35	1.80 - 2.01	0.89 - 0.99	29.54 - 29.74	0.53 <i>0.021</i>	1.07 - 1.14	Spring Steel
# RR-112-S02	28.58 <i>1.125</i>	32.46 - 32.84	2.06 - 2.26	1.04 - 1.14	32.05 - 32.26	0.61 <i>0.024</i>	1.22 - 1.32	302 Stainless Steel
# RR-115	29.36 <i>1.156</i>	30.73 - 31.12	1.80 - 2.01	0.89 - 0.99	30.33 - 30.53	0.53 <i>0.021</i>	1.07 - 1.14	Spring Steel

# Indicates item not stocked at time of printing - Please enquire for lead time

E&OE Pricing and all details subject to change without notice - Copyright Miniature Bearings Australia Pty Ltd

MBA Size Listings are a guide to sizes only and must not be solely relied on for critical design information.

## Spiral Rings - Internal - Medium Duty

Part Number	Bore (Db) mm <i>inches</i>	Free Outside Dia. (Dr) mm <i>inches</i>	Radial Wall (S) mm <i>inches</i>	Thickness (T) mm <i>inches</i>	Groove Dia. (Dg) mm <i>inches</i>	Groove Depth (d) mm <i>inches</i>	Groove Width (W) mm <i>inches</i>	Material
# RR-115-S02	29.36 <i>1.156</i>	33.32 - 33.71	2.06 - 2.26	1.04 - 1.14	32.87 - 33.07	0.61 <i>0.024</i>	1.22 - 1.32	302 Stainless Steel
# RR-118	30.18 <i>1.188</i>	31.72 - 32.11	2.06 - 2.26	1.04 - 1.14	31.29 - 31.50	0.61 <i>0.024</i>	1.22 - 1.32	Spring Steel
# RR-118-S02	30.18 <i>1.188</i>	34.09 - 34.47	2.06 - 2.26	1.04 - 1.14	33.66 - 33.86	0.61 <i>0.024</i>	1.22 - 1.32	302 Stainless Steel
# RR-121	30.94 <i>1.218</i>	32.46 - 32.84	2.06 - 2.26	1.04 - 1.14	32.05 - 32.26	0.61 <i>0.024</i>	1.22 - 1.32	Spring Steel
# RR-121-S02	30.94 <i>1.218</i>	34.90 - 35.28	2.06 - 2.26	1.04 - 1.14	34.44 - 34.65	0.61 <i>0.024</i>	1.22 - 1.32	302 Stainless Steel
# RR-125	31.75 <i>1.250</i>	33.32 - 33.71	2.06 - 2.26	1.04 - 1.14	32.87 - 33.07	0.61 <i>0.024</i>	1.22 - 1.32	Spring Steel
# RR-125-S02	31.75 <i>1.250</i>	35.76 - 36.14	2.06 - 2.26	1.04 - 1.14	35.33 - 35.53	0.66 <i>0.026</i>	1.22 - 1.32	302 Stainless Steel
# RR-128	32.54 <i>1.281</i>	34.09 - 34.47	2.06 - 2.26	1.04 - 1.14	33.66 - 33.86	0.61 <i>0.024</i>	1.22 - 1.32	Spring Steel
# RR-128-S02	32.54 <i>1.281</i>	36.63 - 37.01	2.31 - 2.51	1.04 - 1.14	36.14 - 36.35	0.66 <i>0.026</i>	1.22 - 1.32	302 Stainless Steel
# RR-131	33.32 <i>1.312</i>	34.90 - 35.28	2.06 - 2.26	1.04 - 1.14	34.44 - 34.65	0.61 <i>0.024</i>	1.22 - 1.32	Spring Steel

# Indicates item not stocked at time of printing - Please enquire for lead time

E&OE Pricing and all details subject to change without notice - Copyright Miniature Bearings Australia Pty Ltd

MBA Size Listings are a guide to sizes only and must not be solely relied on for critical design information.

## Spiral Rings - Internal - Medium Duty

Part Number	Bore (Db) mm <i>inches</i>	Free Outside Dia. (Dr) mm <i>inches</i>	Radial Wall (S) mm <i>inches</i>	Thickness (T) mm <i>inches</i>	Groove Dia. (Dg) mm <i>inches</i>	Groove Depth (d) mm <i>inches</i>	Groove Width (W) mm <i>inches</i>	Material
# RR-131-S02	33.32 <i>1.312</i>	37.39 - 37.77	2.31 - 2.51	1.04 - 1.14	36.93 - 37.13	0.66 <i>0.026</i>	1.22 - 1.32	302 Stainless Steel
# RR-134	34.11 <i>1.343</i>	35.76 - 36.14	2.06 - 2.26	1.04 - 1.14	35.33 - 35.53	0.66 <i>0.026</i>	1.22 - 1.32	Spring Steel
# RR-134-S02	34.11 <i>1.343</i>	38.20 - 38.58	2.31 - 2.51	1.04 - 1.14	37.72 - 37.92	0.66 <i>0.026</i>	1.22 - 1.32	302 Stainless Steel
# RR-137	34.93 <i>1.375</i>	36.63 - 37.01	2.31 - 2.51	1.04 - 1.14	36.14 - 36.35	0.66 <i>0.026</i>	1.22 - 1.32	Spring Steel
# RR-137-S02	34.93 <i>1.375</i>	38.68 - 39.07	2.31 - 2.51	1.04 - 1.14	38.20 - 38.40	0.66 <i>0.026</i>	1.22 - 1.32	302 Stainless Steel
# RR-140	35.71 <i>1.406</i>	37.39 - 37.77	2.31 - 2.51	1.04 - 1.14	36.93 - 37.13	0.66 <i>0.026</i>	1.22 - 1.32	Spring Steel
# RR-140-S02	35.71 <i>1.406</i>	38.99 - 39.37	2.31 - 2.51	1.04 - 1.14	38.51 - 38.71	0.66 <i>0.026</i>	1.22 - 1.32	302 Stainless Steel
# RR-143	36.50 <i>1.437</i>	38.20 - 38.58	2.31 - 2.51	1.04 - 1.14	37.72 - 37.92	0.66 <i>0.026</i>	1.22 - 1.32	Spring Steel
# RR-143-S02	36.50 <i>1.437</i>	39.80 - 40.18	2.31 - 2.51	1.04 - 1.14	39.32 - 39.52	0.66 <i>0.026</i>	1.22 - 1.32	302 Stainless Steel
# RR-145	37.06 <i>1.459</i>	38.68 - 39.07	2.31 - 2.51	1.04 - 1.14	38.20 - 38.40	0.66 <i>0.026</i>	1.22 - 1.32	Spring Steel

# Indicates item not stocked at time of printing - Please enquire for lead time

E&OE Pricing and all details subject to change without notice - Copyright Miniature Bearings Australia Pty Ltd

MBA Size Listings are a guide to sizes only and must not be solely relied on for critical design information.

## Spiral Rings - Internal - Medium Duty

Part Number	Bore (Db) mm <i>inches</i>	Free Outside Dia. (Dr) mm <i>inches</i>	Radial Wall (S) mm <i>inches</i>	Thickness (T) mm <i>inches</i>	Groove Dia. (Dg) mm <i>inches</i>	Groove Depth (d) mm <i>inches</i>	Groove Width (W) mm <i>inches</i>	Material
# RR-145-S02	37.06 <i>1.459</i>	41.50 - 42.01	2.64 - 2.84	1.17 - 1.32	40.94 - 41.20	0.71 <i>0.028</i>	1.22 - 1.32	302 Stainless Steel
# RR-146	37.29 <i>1.468</i>	38.99 - 39.37	2.31 - 2.51	1.04 - 1.14	38.51 - 38.71	0.66 <i>0.026</i>	1.22 - 1.32	Spring Steel
# RR-146-S02	37.29 <i>1.468</i>	41.88 - 42.39	2.64 - 2.84	1.17 - 1.32	41.35 - 41.61	0.76 <i>0.030</i>	1.42 - 1.52	302 Stainless Steel
# RR-150	38.10 <i>1.500</i>	39.80 - 40.18	2.31 - 2.51	1.04 - 1.14	39.32 - 39.52	0.66 <i>0.026</i>	1.22 - 1.32	Spring Steel
# RR-150-S02	38.10 <i>1.500</i>	43.21 - 43.71	2.64 - 2.84	1.17 - 1.32	42.65 - 42.90	0.76 <i>0.030</i>	1.42 - 1.52	302 Stainless Steel
# RR-156	39.67 <i>1.562</i>	41.50 - 42.01	2.64 - 2.84	1.17 - 1.32	40.94 - 41.20	0.71 <i>0.028</i>	1.42 - 1.52	Spring Steel
# RR-156-S02	39.67 <i>1.562</i>	43.94 - 44.45	2.64 - 2.84	1.17 - 1.32	43.36 - 43.61	0.76 <i>0.030</i>	1.42 - 1.52	302 Stainless Steel
# RR-157	39.98 <i>1.574</i>	41.88 - 42.39	2.64 - 2.84	1.17 - 1.32	41.35 - 41.61	0.76 <i>0.030</i>	1.42 - 1.52	Spring Steel
# RR-157-S02	39.98 <i>1.574</i>	44.91 - 45.42	2.90 - 3.10	1.17 - 1.32	44.32 - 44.58	0.79 <i>0.031</i>	1.42 - 1.52	302 Stainless Steel
# RR-162	41.28 <i>1.625</i>	43.21 - 43.71	2.64 - 2.84	1.17 - 1.32	42.65 - 42.90	0.76 <i>0.030</i>	1.42 - 1.52	Spring Steel

# Indicates item not stocked at time of printing - Please enquire for lead time

E&OE Pricing and all details subject to change without notice - Copyright Miniature Bearings Australia Pty Ltd

MBA Size Listings are a guide to sizes only and must not be solely relied on for critical design information.

## Spiral Rings - Internal - Medium Duty

Part Number	Bore (Db) mm <i>inches</i>	Free Outside Dia. (Dr) mm <i>inches</i>	Radial Wall (S) mm <i>inches</i>	Thickness (T) mm <i>inches</i>	Groove Dia. (Dg) mm <i>inches</i>	Groove Depth (d) mm <i>inches</i>	Groove Width (W) mm <i>inches</i>	Material
# RR-162-S02	41.28 <i>1.625</i>	46.58 - 47.09	2.90 - 3.10	1.17 - 1.32	45.92 - 46.18	0.79 <i>0.031</i>	1.42 - 1.52	302 Stainless Steel
# RR-165	41.99 <i>1.653</i>	43.94 - 44.45	2.64 - 2.84	1.17 - 1.32	43.36 - 43.61	0.76 <i>0.030</i>	1.42 - 1.52	Spring Steel
# RR-165-S02	41.99 <i>1.653</i>	48.11 - 48.62	2.90 - 3.10	1.17 - 1.32	47.50 - 47.75	0.79 <i>0.031</i>	1.42 - 1.52	302 Stainless Steel
# RR-168	42.85 <i>1.687</i>	44.91 - 45.42	2.90 - 3.10	1.17 - 1.32	44.32 - 44.58	0.79 <i>0.031</i>	1.42 - 1.52	Spring Steel
# RR-168-S02	42.85 <i>1.687</i>	49.20 - 49.71	2.90 - 3.10	1.17 - 1.32	48.56 - 48.82	0.86 <i>0.034</i>	1.42 - 1.52	302 Stainless Steel
# RR-175	44.45 <i>1.750</i>	46.58 - 47.09	2.90 - 3.10	1.17 - 1.32	45.92 - 46.18	0.79 <i>0.031</i>	1.42 - 1.52	Spring Steel
# RR-175-S02	44.45 <i>1.750</i>	49.78 - 50.29	2.90 - 3.10	1.17 - 1.32	49.20 - 49.45	0.86 <i>0.034</i>	1.42 - 1.52	302 Stainless Steel
# RR-181	46.05 <i>1.813</i>	48.11 - 48.62	2.90 - 3.10	1.17 - 1.32	47.50 - 47.75	0.79 <i>0.031</i>	1.42 - 1.52	Spring Steel
# RR-181-S02	46.05 <i>1.813</i>	51.44 - 51.94	2.90 - 3.10	1.17 - 1.32	50.80 - 51.05	0.86 <i>0.034</i>	1.42 - 1.52	302 Stainless Steel
# RR-185	46.99 <i>1.850</i>	49.20 - 49.71	2.90 - 3.10	1.17 - 1.32	48.56 - 48.82	0.86 <i>0.034</i>	1.42 - 1.52	Spring Steel

# Indicates item not stocked at time of printing - Please enquire for lead time

E&OE Pricing and all details subject to change without notice - Copyright Miniature Bearings Australia Pty Ltd

MBA Size Listings are a guide to sizes only and must not be solely relied on for critical design information.

## Spiral Rings - Internal - Medium Duty

Part Number	Bore (Db) mm <i>inches</i>	Free Outside Dia. (Dr) mm <i>inches</i>	Radial Wall (S) mm <i>inches</i>	Thickness (T) mm <i>inches</i>	Groove Dia. (Dg) mm <i>inches</i>	Groove Depth (d) mm <i>inches</i>	Groove Width (W) mm <i>inches</i>	Material
# RR-185-S02	46.99 <i>1.850</i>	53.11 - 53.62	3.15 - 3.35	1.17 - 1.32	52.48 - 52.73	0.89 <i>0.035</i>	1.42 - 1.52	302 Stainless Steel
# RR-187	47.63 <i>1.875</i>	49.78 - 50.29	2.90 - 3.10	1.17 - 1.32	49.20 - 49.45	0.86 <i>0.034</i>	1.42 - 1.52	Spring Steel
# RR-187-S02	47.63 <i>1.875</i>	54.31 - 54.81	3.15 - 3.35	1.17 - 1.32	53.67 - 53.92	0.89 <i>0.035</i>	1.42 - 1.52	302 Stainless Steel
# RR-193	49.23 <i>1.938</i>	51.44 - 51.94	2.90 - 3.10	1.17 - 1.32	50.80 - 51.05	0.86 <i>0.034</i>	1.42 - 1.52	Spring Steel
# RR-193-S02	49.23 <i>1.938</i>	54.71 - 55.35	3.15 - 3.35	1.17 - 1.32	54.00 - 54.31	0.89 <i>0.035</i>	1.42 - 1.52	302 Stainless Steel
# RR-200	50.80 <i>2.000</i>	53.11 - 53.62	3.15 - 3.35	1.17 - 1.32	52.48 - 52.73	0.89 <i>0.035</i>	1.42 - 1.52	Spring Steel
# RR-200-S02	50.80 <i>2.000</i>	56.31 - 56.95	3.15 - 3.35	1.17 - 1.32	55.60 - 55.91	0.89 <i>0.035</i>	1.42 - 1.52	302 Stainless Steel
# RR-204	51.99 <i>2.047</i>	54.31 - 54.81	3.15 - 3.35	1.17 - 1.32	53.67 - 53.92	0.89 <i>0.035</i>	1.42 - 1.52	Spring Steel
# RR-204-S02	51.99 <i>2.047</i>	57.40 - 58.04	3.40 - 3.61	1.17 - 1.32	56.72 - 57.02	0.94 <i>0.037</i>	1.42 - 1.52	302 Stainless Steel
# RR-206	52.37 <i>2.062</i>	54.71 - 55.35	3.15 - 3.35	1.17 - 1.32	54.00 - 54.31	0.89 <i>0.035</i>	1.42 - 1.52	Spring Steel

# Indicates item not stocked at time of printing - Please enquire for lead time

E&OE Pricing and all details subject to change without notice - Copyright Miniature Bearings Australia Pty Ltd

MBA Size Listings are a guide to sizes only and must not be solely relied on for critical design information.

## Spiral Rings - Internal - Medium Duty

Part Number	Bore (Db) mm <i>inches</i>	Free Outside Dia. (Dr) mm <i>inches</i>	Radial Wall (S) mm <i>inches</i>	Thickness (T) mm <i>inches</i>	Groove Dia. (Dg) mm <i>inches</i>	Groove Depth (d) mm <i>inches</i>	Groove Width (W) mm <i>inches</i>	Material
# RR-206-S02	52.37 <i>2.062</i>	58.01 - 58.65	3.40 - 3.61	1.17 - 1.32	57.30 - 57.61	0.94 <i>0.037</i>	1.42 - 1.52	302 Stainless Steel
# RR-212	53.98 <i>2.125</i>	56.31 - 56.95	3.15 - 3.35	1.17 - 1.32	55.60 - 55.91	0.89 <i>0.035</i>	1.42 - 1.52	Spring Steel
# RR-212-S02	53.98 <i>2.125</i>	59.61 - 60.25	3.40 - 3.61	1.17 - 1.32	58.88 - 59.18	0.94 <i>0.037</i>	1.42 - 1.52	302 Stainless Steel
# RR-216	54.99 <i>2.165</i>	57.40 - 58.04	3.40 - 3.61	1.17 - 1.32	56.72 - 57.02	0.94 <i>0.037</i>	1.42 - 1.52	Spring Steel
# RR-216-S02	54.99 <i>2.165</i>	61.29 - 61.93	3.40 - 3.61	1.17 - 1.32	60.55 - 60.86	0.99 <i>0.039</i>	1.42 - 1.52	302 Stainless Steel
# RR-218	55.58 <i>2.188</i>	58.01 - 58.65	3.40 - 3.61	1.17 - 1.32	57.30 - 57.61	0.94 <i>0.037</i>	1.42 - 1.52	Spring Steel
# RR-218-S02	55.58 <i>2.188</i>	62.89 - 63.53	3.40 - 3.61	1.17 - 1.32	62.15 - 62.46	0.99 <i>0.039</i>	1.42 - 1.52	302 Stainless Steel
# RR-225	57.15 <i>2.250</i>	59.61 - 60.25	3.40 - 3.61	1.17 - 1.32	58.88 - 59.18	0.94 <i>0.037</i>	1.42 - 1.52	Spring Steel
# RR-225-S02	57.15 <i>2.250</i>	64.59 - 65.23	3.66 - 3.86	1.17 - 1.32	63.83 - 64.14	1.04 <i>0.041</i>	1.42 - 1.52	302 Stainless Steel
# RR-231	58.72 <i>2.312</i>	61.29 - 61.93	3.40 - 3.61	1.17 - 1.32	60.55 - 60.86	0.99 <i>0.039</i>	1.42 - 1.52	Spring Steel

# Indicates item not stocked at time of printing - Please enquire for lead time

E&OE Pricing and all details subject to change without notice - Copyright Miniature Bearings Australia Pty Ltd

MBA Size Listings are a guide to sizes only and must not be solely relied on for critical design information.

## Spiral Rings - Internal - Medium Duty

Part Number	Bore (Db) mm <i>inches</i>	Free Outside Dia. (Dr) mm <i>inches</i>	Radial Wall (S) mm <i>inches</i>	Thickness (T) mm <i>inches</i>	Groove Dia. (Dg) mm <i>inches</i>	Groove Depth (d) mm <i>inches</i>	Groove Width (W) mm <i>inches</i>	Material
# RR-231-S02	58.72 <i>2.312</i>	64.67 - 65.30	3.66 - 3.86	1.17 - 1.32	63.91 - 64.21	1.04 <i>0.041</i>	1.42 - 1.52	302 Stainless Steel
# RR-237	60.33 <i>2.375</i>	62.89 - 63.53	3.40 - 3.61	1.17 - 1.32	62.15 - 62.46	0.99 <i>0.039</i>	1.42 - 1.52	Spring Steel
# RR-237-S02	60.33 <i>2.375</i>	66.19 - 66.83	3.66 - 3.86	1.17 - 1.32	65.43 - 65.74	1.04 <i>0.041</i>	1.42 - 1.52	302 Stainless Steel
# RR-243	61.90 <i>2.437</i>	64.59 - 65.23	3.66 - 3.86	1.17 - 1.32	63.83 - 64.14	1.04 <i>0.041</i>	1.42 - 1.52	Spring Steel
# RR-243-S02	61.90 <i>2.437</i>	67.08 - 67.72	3.66 - 3.86	1.17 - 1.32	66.32 - 66.62	1.09 <i>0.043</i>	1.42 - 1.52	302 Stainless Steel
# RR-244	61.98 <i>2.440</i>	64.67 - 65.30	3.66 - 3.86	1.17 - 1.32	63.91 - 64.21	1.04 <i>0.041</i>	1.42 - 1.52	Spring Steel
# RR-244-S02	61.98 <i>2.440</i>	67.89 - 68.53	3.66 - 3.86	1.17 - 1.32	67.11 - 67.41	1.09 <i>0.043</i>	1.42 - 1.52	302 Stainless Steel
# RR-250	63.50 <i>2.500</i>	66.19 - 66.83	3.66 - 3.86	1.17 - 1.32	65.43 - 65.74	1.04 <i>0.041</i>	1.42 - 1.52	Spring Steel
# RR-250-S02	63.50 <i>2.500</i>	69.49 - 70.13	3.66 - 3.86	1.17 - 1.32	68.71 - 69.01	1.09 <i>0.043</i>	1.42 - 1.52	302 Stainless Steel
# RR-253	64.29 <i>2.531</i>	67.08 - 67.72	3.66 - 3.86	1.17 - 1.32	66.32 - 66.62	1.09 <i>0.043</i>	1.42 - 1.52	Spring Steel

# Indicates item not stocked at time of printing - Please enquire for lead time

E&OE Pricing and all details subject to change without notice - Copyright Miniature Bearings Australia Pty Ltd

MBA Size Listings are a guide to sizes only and must not be solely relied on for critical design information.

## Spiral Rings - Internal - Medium Duty

Part Number	Bore (Db) mm <i>inches</i>	Free Outside Dia. (Dr) mm <i>inches</i>	Radial Wall (S) mm <i>inches</i>	Thickness (T) mm <i>inches</i>	Groove Dia. (Dg) mm <i>inches</i>	Groove Depth (d) mm <i>inches</i>	Groove Width (W) mm <i>inches</i>	Material
# RR-253-S02	64.29 <i>2.531</i>	70.84 - 71.48	3.91 - 4.11	1.17 - 1.32	70.13 - 70.43	1.14 <i>0.045</i>	1.42 - 1.52	302 Stainless Steel
# RR-256	65.07 <i>2.562</i>	67.89 - 68.53	3.66 - 3.86	1.17 - 1.32	67.11 - 67.41	1.09 <i>0.043</i>	1.42 - 1.52	Spring Steel
# RR-256-S02	65.07 <i>2.562</i>	71.20 - 71.83	3.91 - 4.11	1.17 - 1.32	70.41 - 70.71	1.14 <i>0.045</i>	1.42 - 1.52	302 Stainless Steel
# RR-262	66.68 <i>2.625</i>	69.49 - 70.13	3.66 - 3.86	1.17 - 1.32	68.71 - 69.01	1.09 <i>0.043</i>	1.42 - 1.52	Spring Steel
# RR-262-S02	66.68 <i>2.625</i>	72.77 - 73.41	3.91 - 4.11	1.17 - 1.32	72.01 - 72.31	1.14 <i>0.045</i>	1.42 - 1.52	302 Stainless Steel
# RR-267	68.00 <i>2.677</i>	70.84 - 71.48	3.91 - 4.11	1.17 - 1.32	70.13 - 70.43	1.14 <i>0.045</i>	1.42 - 1.52	Spring Steel
# RR-267-S02	68.00 <i>2.677</i>	74.40 - 75.03	3.91 - 4.11	1.17 - 1.32	73.58 - 73.89	1.14 <i>0.045</i>	1.42 - 1.52	302 Stainless Steel
# RR-268	68.28 <i>2.688</i>	71.20 - 71.83	3.91 - 4.11	1.17 - 1.32	70.41 - 70.71	1.14 <i>0.045</i>	1.42 - 1.52	Spring Steel
# RR-268-S02	68.28 <i>2.688</i>	75.03 - 75.67	4.14 - 4.39	1.17 - 1.32	74.22 - 74.52	1.19 <i>0.047</i>	1.42 - 1.52	302 Stainless Steel
# RR-275	69.85 <i>2.750</i>	72.77 - 73.41	3.91 - 4.11	1.17 - 1.32	72.01 - 72.31	1.14 <i>0.045</i>	1.42 - 1.52	Spring Steel

# Indicates item not stocked at time of printing - Please enquire for lead time

E&OE Pricing and all details subject to change without notice - Copyright Miniature Bearings Australia Pty Ltd

MBA Size Listings are a guide to sizes only and must not be solely relied on for critical design information.

## Spiral Rings - Internal - Medium Duty

Part Number	Bore (Db) mm <i>inches</i>	Free Outside Dia. (Dr) mm <i>inches</i>	Radial Wall (S) mm <i>inches</i>	Thickness (T) mm <i>inches</i>	Groove Dia. (Dg) mm <i>inches</i>	Groove Depth (d) mm <i>inches</i>	Groove Width (W) mm <i>inches</i>	Material
# RR-275-S02	69.85 <i>2.750</i>	76.07 - 76.71	4.14 - 4.39	1.17 - 1.32	75.26 - 75.57	1.19 <i>0.047</i>	1.42 - 1.52	302 Stainless Steel
# RR-281	71.45 <i>2.813</i>	74.40 - 75.03	3.91 - 4.11	1.17 - 1.32	73.58 - 73.89	1.14 <i>0.045</i>	1.42 - 1.52	Spring Steel
# RR-281-S02	71.45 <i>2.813</i>	77.67 - 78.31	4.14 - 4.39	1.17 - 1.32	76.84 - 77.14	1.19 <i>0.047</i>	1.42 - 1.52	302 Stainless Steel
# RR-283	71.98 <i>2.834</i>	75.03 - 75.67	4.14 - 4.39	1.17 - 1.32	74.22 - 74.52	1.19 <i>0.047</i>	1.42 - 1.52	Spring Steel
# RR-283-S02	71.98 <i>2.834</i>	78.05 - 78.69	4.14 - 4.39	1.17 - 1.32	77.22 - 77.52	1.19 <i>0.047</i>	1.42 - 1.52	302 Stainless Steel
# RR-287	73.03 <i>2.875</i>	76.07 - 76.71	4.14 - 4.39	1.17 - 1.32	75.26 - 75.57	1.19 <i>0.047</i>	1.42 - 1.52	Spring Steel
# RR-287-S02	73.03 <i>2.875</i>	79.30 - 79.93	4.14 - 4.39	1.47 - 1.63	78.49 - 78.79	1.22 <i>0.048</i>	1.73 - 1.85	302 Stainless Steel
# RR-293	74.60 <i>2.937</i>	77.67 - 78.31	4.14 - 4.39	1.17 - 1.32	76.84 - 77.14	1.19 <i>0.047</i>	1.42 - 1.52	Spring Steel
# RR-293-S02	74.60 <i>2.937</i>	80.92 - 81.69	4.14 - 4.39	1.47 - 1.63	80.06 - 80.37	1.22 <i>0.048</i>	1.73 - 1.85	302 Stainless Steel
# RR-295	74.98 <i>2.952</i>	78.05 - 78.69	4.14 - 4.39	1.17 - 1.32	77.22 - 77.52	1.19 <i>0.047</i>	1.42 - 1.52	Spring Steel

# Indicates item not stocked at time of printing - Please enquire for lead time

E&OE Pricing and all details subject to change without notice - Copyright Miniature Bearings Australia Pty Ltd

MBA Size Listings are a guide to sizes only and must not be solely relied on for critical design information.

## Spiral Rings - Internal - Medium Duty

Part Number	Bore (Db) mm <i>inches</i>	Free Outside Dia. (Dr) mm <i>inches</i>	Radial Wall (S) mm <i>inches</i>	Thickness (T) mm <i>inches</i>	Groove Dia. (Dg) mm <i>inches</i>	Groove Depth (d) mm <i>inches</i>	Groove Width (W) mm <i>inches</i>	Material
# RR-295-S02	74.98 <i>2.952</i>	82.58 - 83.34	4.39 - 4.65	1.47 - 1.63	81.71 - 82.02	1.22 <i>0.048</i>	1.73 - 1.85	302 Stainless Steel
# RR-300	76.20 <i>3.000</i>	79.30 - 79.93	4.14 - 4.39	1.47 - 1.63	78.49 - 78.79	1.22 <i>0.048</i>	1.73 - 1.85	Spring Steel
# RR-300-S02	76.20 <i>3.000</i>	83.21 - 83.97	4.39 - 4.65	1.47 - 1.63	82.32 - 82.63	1.22 <i>0.048</i>	1.73 - 1.85	302 Stainless Steel
# RR-306	77.77 <i>3.062</i>	80.92 - 81.69	4.14 - 4.39	1.47 - 1.63	80.06 - 80.37	1.22 <i>0.048</i>	1.73 - 1.85	Spring Steel
# RR-306-S02	77.77 <i>3.062</i>	84.10 - 84.86	4.39 - 4.65	1.47 - 1.63	83.24 - 83.54	1.22 <i>0.048</i>	1.73 - 1.85	302 Stainless Steel
# RR-312	79.38 <i>3.125</i>	82.58 - 83.34	4.39 - 4.65	1.47 - 1.63	81.71 - 82.02	1.22 <i>0.048</i>	1.73 - 1.85	Spring Steel
# RR-312-S02	79.38 <i>3.125</i>	85.83 - 86.59	4.39 - 4.65	1.47 - 1.63	84.94 - 85.24	1.27 <i>0.050</i>	1.73 - 1.85	302 Stainless Steel
RR-314	79.98 <i>3.149</i>	83.21 - 83.97	4.39 - 4.65	1.47 - 1.63	82.32 - 82.63	1.22 <i>0.048</i>	1.73 - 1.85	Spring Steel
# RR-314-S02	79.98 <i>3.149</i>	87.53 - 88.29	4.65 - 4.90	1.47 - 1.63	86.61 - 86.92	1.32 <i>0.052</i>	1.73 - 1.85	302 Stainless Steel
# RR-318	80.95 <i>3.187</i>	84.10 - 84.86	4.39 - 4.65	1.47 - 1.63	83.24 - 83.54	1.22 <i>0.048</i>	1.73 - 1.85	Spring Steel

# Indicates item not stocked at time of printing - Please enquire for lead time

E&OE Pricing and all details subject to change without notice - Copyright Miniature Bearings Australia Pty Ltd

MBA Size Listings are a guide to sizes only and must not be solely relied on for critical design information.

## Spiral Rings - Internal - Medium Duty

Part Number	Bore (Db) mm <i>inches</i>	Free Outside Dia. (Dr) mm <i>inches</i>	Radial Wall (S) mm <i>inches</i>	Thickness (T) mm <i>inches</i>	Groove Dia. (Dg) mm <i>inches</i>	Groove Depth (d) mm <i>inches</i>	Groove Width (W) mm <i>inches</i>	Material
# RR-318-S02	80.95 <i>3.187</i>	88.37 - 89.13	4.65 - 4.90	1.47 - 1.63	87.48 - 87.78	1.32 <i>0.052</i>	1.73 - 1.85	302 Stainless Steel
# RR-325	82.55 <i>3.250</i>	85.83 - 86.59	4.39 - 4.65	1.47 - 1.63	84.94 - 85.24	1.27 <i>0.050</i>	1.73 - 1.85	Spring Steel
# RR-325-S02	82.55 <i>3.250</i>	89.13 - 89.89	4.65 - 4.90	1.47 - 1.63	88.21 - 88.52	1.32 <i>0.052</i>	1.73 - 1.85	302 Stainless Steel
# RR-331	84.12 <i>3.312</i>	87.53 - 88.29	4.65 - 4.90	1.47 - 1.63	86.61 - 86.92	1.32 <i>0.052</i>	1.73 - 1.85	Spring Steel
# RR-331-S02	84.12 <i>3.312</i>	90.78 - 91.54	4.65 - 4.90	1.47 - 1.63	89.84 - 90.14	1.35 <i>0.053</i>	1.73 - 1.85	302 Stainless Steel
# RR-334	84.99 <i>3.346</i>	88.37 - 89.13	4.65 - 4.90	1.47 - 1.63	87.48 - 87.78	1.32 <i>0.052</i>	1.73 - 1.85	Spring Steel
# RR-334-S02	84.99 <i>3.346</i>	92.35 - 93.12	4.65 - 4.90	1.47 - 1.63	91.44 - 91.74	1.35 <i>0.053</i>	1.73 - 1.85	302 Stainless Steel
# RR-337	85.73 <i>3.375</i>	89.13 - 89.89	4.65 - 4.90	1.47 - 1.63	88.21 - 88.52	1.32 <i>0.052</i>	1.73 - 1.85	Spring Steel
# RR-337-S02	85.73 <i>3.375</i>	93.57 - 94.34	4.90 - 5.16	1.47 - 1.63	92.63 - 92.94	1.40 <i>0.055</i>	1.73 - 1.85	302 Stainless Steel
# RR-343	87.30 <i>3.437</i>	90.78 - 91.54	4.65 - 4.90	1.47 - 1.63	89.84 - 90.14	1.35 <i>0.053</i>	1.73 - 1.85	Spring Steel

# Indicates item not stocked at time of printing - Please enquire for lead time

E&OE Pricing and all details subject to change without notice - Copyright Miniature Bearings Australia Pty Ltd

MBA Size Listings are a guide to sizes only and must not be solely relied on for critical design information.

## Spiral Rings - Internal - Medium Duty

Part Number	Bore (Db) mm <i>inches</i>	Free Outside Dia. (Dr) mm <i>inches</i>	Radial Wall (S) mm <i>inches</i>	Thickness (T) mm <i>inches</i>	Groove Dia. (Dg) mm <i>inches</i>	Groove Depth (d) mm <i>inches</i>	Groove Width (W) mm <i>inches</i>	Material
# RR-343-S02	87.30 <i>3.437</i>	94.06 - 94.82	4.90 - 5.16	1.47 - 1.63	93.12 - 93.42	1.40 <i>0.055</i>	1.73 - 1.85	302 Stainless Steel
# RR-350	88.90 <i>3.500</i>	92.35 - 93.12	4.65 - 4.90	1.47 - 1.63	91.44 - 91.74	1.35 <i>0.053</i>	1.73 - 1.85	Spring Steel
# RR-350-S02	88.90 <i>3.500</i>	95.73 - 96.49	4.90 - 5.16	1.47 - 1.63	94.77 - 95.07	1.42 <i>0.056</i>	1.73 - 1.85	302 Stainless Steel
# RR-354	89.99 <i>3.543</i>	93.57 - 94.34	4.90 - 5.16	1.47 - 1.63	92.63 - 92.94	1.40 <i>0.055</i>	1.73 - 1.85	Spring Steel
# RR-354-S02	89.99 <i>3.543</i>	97.33 - 98.09	4.90 - 5.16	1.47 - 1.63	96.34 - 96.65	1.42 <i>0.056</i>	1.73 - 1.85	302 Stainless Steel
# RR-356	90.47 <i>3.562</i>	94.06 - 94.82	4.90 - 5.16	1.47 - 1.63	93.12 - 93.42	1.40 <i>0.055</i>	1.73 - 1.85	Spring Steel
# RR-356-S02	90.47 <i>3.562</i>	98.68 - 99.44	4.90 - 5.16	1.47 - 1.63	97.69 - 97.99	1.42 <i>0.056</i>	1.73 - 1.85	302 Stainless Steel
# RR-362	92.08 <i>3.625</i>	95.73 - 96.49	4.90 - 5.16	1.47 - 1.63	94.77 - 95.07	1.42 <i>0.056</i>	1.73 - 1.85	Spring Steel
# RR-362-S02	92.08 <i>3.625</i>	98.91 - 99.67	4.90 - 5.16	1.47 - 1.63	97.94 - 98.25	1.42 <i>0.056</i>	1.73 - 1.85	302 Stainless Steel
# RR-368	93.65 <i>3.687</i>	97.33 - 98.09	4.90 - 5.16	1.47 - 1.63	96.34 - 96.65	1.42 <i>0.056</i>	1.73 - 1.85	Spring Steel

# Indicates item not stocked at time of printing - Please enquire for lead time

E&OE Pricing and all details subject to change without notice - Copyright Miniature Bearings Australia Pty Ltd

MBA Size Listings are a guide to sizes only and must not be solely relied on for critical design information.

## Spiral Rings - Internal - Medium Duty

Part Number	Bore (Db) mm <i>inches</i>	Free Outside Dia. (Dr) mm <i>inches</i>	Radial Wall (S) mm <i>inches</i>	Thickness (T) mm <i>inches</i>	Groove Dia. (Dg) mm <i>inches</i>	Groove Depth (d) mm <i>inches</i>	Groove Width (W) mm <i>inches</i>	Material
# RR-368-S02	93.65 <i>3.687</i>	100.66 - 101.42	5.16 - 5.41	1.47 - 1.63	99.67 - 99.97	1.50 <i>0.059</i>	1.73 - 1.85	302 Stainless Steel
# RR-374	95.00 <i>3.740</i>	98.68 - 99.44	4.90 - 5.16	1.47 - 1.63	97.69 - 97.99	1.42 <i>0.056</i>	1.73 - 1.85	Spring Steel
# RR-374-S02	95.00 <i>3.740</i>	102.24 - 103.00	5.16 - 5.41	1.47 - 1.63	101.27 - 101.57	1.50 <i>0.059</i>	1.73 - 1.85	302 Stainless Steel
# RR-375	95.25 <i>3.750</i>	98.91 - 99.67	4.90 - 5.16	1.47 - 1.63	97.94 - 98.25	1.42 <i>0.056</i>	1.73 - 1.85	Spring Steel
# RR-375-S02	95.25 <i>3.750</i>	103.86 - 104.62	5.16 - 5.41	1.47 - 1.63	102.87 - 103.17	1.50 <i>0.059</i>	1.73 - 1.85	302 Stainless Steel
# RR-381	96.82 <i>3.812</i>	100.66 - 101.42	5.16 - 5.41	1.47 - 1.63	99.67 - 99.97	1.50 <i>0.059</i>	1.73 - 1.85	Spring Steel
# RR-381-S02	96.82 <i>3.812</i>	105.59 - 106.35	5.41 - 5.66	1.47 - 1.63	104.60 - 104.90	1.57 <i>0.062</i>	1.73 - 1.85	302 Stainless Steel
# RR-387	98.43 <i>3.875</i>	102.24 - 103.00	5.16 - 5.41	1.47 - 1.63	101.27 - 101.57	1.50 <i>0.059</i>	1.73 - 1.85	Spring Steel
# RR-387-S02	98.43 <i>3.875</i>	107.24 - 108.00	5.41 - 5.66	1.47 - 1.63	106.20 - 106.50	1.57 <i>0.062</i>	1.73 - 1.85	302 Stainless Steel
# RR-393	100.03 <i>3.938</i>	103.86 - 104.62	5.16 - 5.41	1.47 - 1.63	102.87 - 103.17	1.50 <i>0.059</i>	1.73 - 1.85	Spring Steel

# Indicates item not stocked at time of printing - Please enquire for lead time

E&OE Pricing and all details subject to change without notice - Copyright Miniature Bearings Australia Pty Ltd

MBA Size Listings are a guide to sizes only and must not be solely relied on for critical design information.

## Spiral Rings - Internal - Medium Duty

Part Number	Bore (Db) mm <i>inches</i>	Free Outside Dia. (Dr) mm <i>inches</i>	Radial Wall (S) mm <i>inches</i>	Thickness (T) mm <i>inches</i>	Groove Dia. (Dg) mm <i>inches</i>	Groove Depth (d) mm <i>inches</i>	Groove Width (W) mm <i>inches</i>	Material
# RR-393-S02	100.03 <i>3.938</i>	108.81 - 109.70	5.41 - 5.66	1.47 - 1.63	107.77 - 108.08	1.57 <i>0.062</i>	1.73 - 1.85	302 Stainless Steel
# RR-400	101.60 <i>4.000</i>	105.59 - 106.35	5.41 - 5.66	1.47 - 1.63	104.60 - 104.90	1.57 <i>0.062</i>	1.73 - 1.85	Spring Steel
# RR-400-S02	101.60 <i>4.000</i>	110.41 - 111.30	5.41 - 5.66	1.47 - 1.63	109.35 - 109.65	1.57 <i>0.062</i>	1.73 - 1.85	302 Stainless Steel
# RR-406	103.20 <i>4.063</i>	107.24 - 108.00	5.41 - 5.66	1.47 - 1.63	106.20 - 106.50	1.57 <i>0.062</i>	1.73 - 1.85	Spring Steel
# RR-406-S02	103.20 <i>4.063</i>	112.17 - 113.06	5.66 - 5.92	1.47 - 1.63	111.10 - 111.40	1.65 <i>0.065</i>	1.73 - 1.85	302 Stainless Steel
# RR-412	104.78 <i>4.125</i>	108.81 - 109.70	5.41 - 5.66	1.47 - 1.63	107.77 - 108.08	1.57 <i>0.062</i>	1.73 - 1.85	Spring Steel
# RR-412-S02	104.78 <i>4.125</i>	113.77 - 114.66	5.66 - 5.92	1.47 - 1.63	112.67 - 112.98	1.65 <i>0.065</i>	1.73 - 1.85	302 Stainless Steel
# RR-418	106.38 <i>4.188</i>	110.41 - 111.30	5.41 - 5.66	1.47 - 1.63	109.35 - 109.65	1.57 <i>0.062</i>	1.73 - 1.85	Spring Steel
# RR-418-S02	106.38 <i>4.188</i>	114.22 - 115.11	5.66 - 5.92	1.47 - 1.63	113.13 - 113.44	1.65 <i>0.065</i>	1.73 - 1.85	302 Stainless Steel
# RR-425	107.95 <i>4.250</i>	112.17 - 113.06	5.66 - 5.92	1.47 - 1.63	111.10 - 111.40	1.65 <i>0.065</i>	1.73 - 1.85	Spring Steel

# Indicates item not stocked at time of printing - Please enquire for lead time

E&OE Pricing and all details subject to change without notice - Copyright Miniature Bearings Australia Pty Ltd

MBA Size Listings are a guide to sizes only and must not be solely relied on for critical design information.

## Spiral Rings - Internal - Medium Duty

Part Number	Bore (Db) mm <i>inches</i>	Free Outside Dia. (Dr) mm <i>inches</i>	Radial Wall (S) mm <i>inches</i>	Thickness (T) mm <i>inches</i>	Groove Dia. (Dg) mm <i>inches</i>	Groove Depth (d) mm <i>inches</i>	Groove Width (W) mm <i>inches</i>	Material
# RR-431	109.52 <i>4.312</i>	113.77 - 114.66	5.66 - 5.92	1.47 - 1.63	112.67 - 112.98	1.65 <i>0.065</i>	1.73 - 1.85	Spring Steel
# RR-431-S02	109.52 <i>4.312</i>	117.12 - 118.01	5.92 - 6.17	1.47 - 1.63	116.00 - 116.31	1.73 <i>0.068</i>	1.73 - 1.85	302 Stainless Steel
# RR-433	109.98 <i>4.330</i>	114.22 - 115.11	5.66 - 5.92	1.47 - 1.63	113.13 - 113.44	1.65 <i>0.065</i>	1.73 - 1.85	Spring Steel
# RR-433-S02	109.98 <i>4.330</i>	118.72 - 119.61	5.92 - 6.17	1.47 - 1.63	117.60 - 117.91	1.73 <i>0.068</i>	1.73 - 1.85	302 Stainless Steel
# RR-437	111.13 <i>4.375</i>	115.39 - 116.28	5.66 - 5.92	1.47 - 1.63	114.27 - 114.58	1.65 <i>0.065</i>	1.73 - 1.85	Spring Steel
# RR-437-S02	111.13 <i>4.375</i>	119.41 - 120.29	5.92 - 6.17	1.47 - 1.63	118.29 - 118.59	1.73 <i>0.068</i>	1.73 - 1.85	302 Stainless Steel
# RR-443	112.70 <i>4.437</i>	117.12 - 118.01	5.92 - 6.17	1.47 - 1.63	116.00 - 116.31	1.73 <i>0.068</i>	1.73 - 1.85	Spring Steel
# RR-443-S02	112.70 <i>4.437</i>	120.32 - 121.21	5.92 - 6.17	1.47 - 1.63	119.18 - 119.48	1.73 <i>0.068</i>	1.73 - 1.85	302 Stainless Steel
# RR-450	114.30 <i>4.500</i>	118.72 - 119.61	5.92 - 6.17	1.47 - 1.63	117.60 - 117.91	1.73 <i>0.068</i>	1.73 - 1.85	Spring Steel
# RR-450-S02	114.30 <i>4.500</i>	122.00 - 122.89	6.22 - 6.48	1.73 - 1.93	120.88 - 121.18	1.78 <i>0.070</i>	2.01 - 2.13	302 Stainless Steel

# Indicates item not stocked at time of printing - Please enquire for lead time

E&OE Pricing and all details subject to change without notice - Copyright Miniature Bearings Australia Pty Ltd

MBA Size Listings are a guide to sizes only and must not be solely relied on for critical design information.

## Spiral Rings - Internal - Medium Duty

Part Number	Bore (Db) mm <i>inches</i>	Free Outside Dia. (Dr) mm <i>inches</i>	Radial Wall (S) mm <i>inches</i>	Thickness (T) mm <i>inches</i>	Groove Dia. (Dg) mm <i>inches</i>	Groove Depth (d) mm <i>inches</i>	Groove Width (W) mm <i>inches</i>	Material
# RR-452	114.99 <i>4.527</i>	119.41 - 120.29	5.92 - 6.17	1.47 - 1.63	118.29 - 118.59	1.73 <i>0.068</i>	1.73 - 1.85	Spring Steel
# RR-452-S02	114.99 <i>4.527</i>	123.62 - 124.51	6.22 - 6.48	1.73 - 1.93	122.45 - 122.76	1.78 <i>0.070</i>	2.01 - 2.13	302 Stainless Steel
# RR-456	115.87 <i>4.562</i>	120.32 - 121.21	5.92 - 6.17	1.47 - 1.63	119.18 - 119.48	1.73 <i>0.068</i>	1.73 - 1.85	Spring Steel
# RR-456-S02	115.87 <i>4.562</i>	124.54 - 125.43	6.22 - 6.48	1.73 - 1.93	123.39 - 123.70	1.78 <i>0.070</i>	2.01 - 2.13	302 Stainless Steel
# RR-462	117.48 <i>4.625</i>	122.00 - 122.89	6.22 - 6.48	1.73 - 1.93	120.88 - 121.18	1.78 <i>0.070</i>	2.01 - 2.13	Spring Steel
# RR-462-S02	117.48 <i>4.625</i>	125.22 - 126.11	6.22 - 6.48	1.73 - 1.93	124.05 - 124.36	1.78 <i>0.070</i>	2.01 - 2.13	302 Stainless Steel
# RR-468	119.05 <i>4.687</i>	123.62 - 124.51	6.22 - 6.48	1.73 - 1.93	122.45 - 122.76	1.78 <i>0.070</i>	2.01 - 2.13	Spring Steel
# RR-468-S02	119.05 <i>4.687</i>	126.82 - 127.71	6.22 - 6.48	1.73 - 1.93	125.63 - 125.93	1.78 <i>0.070</i>	2.01 - 2.13	302 Stainless Steel
# RR-472	119.99 <i>4.724</i>	124.54 - 125.43	6.22 - 6.48	1.73 - 1.93	123.39 - 123.70	1.78 <i>0.070</i>	2.01 - 2.13	Spring Steel
# RR-472-S02	119.99 <i>4.724</i>	128.40 - 129.29	6.22 - 6.48	1.73 - 1.93	127.23 - 127.53	1.78 <i>0.070</i>	2.01 - 2.13	302 Stainless Steel

# Indicates item not stocked at time of printing - Please enquire for lead time

E&OE Pricing and all details subject to change without notice - Copyright Miniature Bearings Australia Pty Ltd

MBA Size Listings are a guide to sizes only and must not be solely relied on for critical design information.

## Spiral Rings - Internal - Medium Duty

Part Number	Bore (Db) mm <i>inches</i>	Free Outside Dia. (Dr) mm <i>inches</i>	Radial Wall (S) mm <i>inches</i>	Thickness (T) mm <i>inches</i>	Groove Dia. (Dg) mm <i>inches</i>	Groove Depth (d) mm <i>inches</i>	Groove Width (W) mm <i>inches</i>	Material
# RR-475	120.65 <i>4.750</i>	125.22 - 126.11	6.22 - 6.48	1.73 - 1.93	124.05 - 124.36	1.78 <i>0.070</i>	2.01 - 2.13	Spring Steel
# RR-475-S02	120.65 <i>4.750</i>	129.59 - 130.48	6.22 - 6.48	1.73 - 1.93	128.40 - 128.70	1.78 <i>0.070</i>	2.01 - 2.13	302 Stainless Steel
# RR-481	122.22 <i>4.812</i>	126.82 - 127.71	6.22 - 6.48	1.73 - 1.93	125.63 - 125.93	1.78 <i>0.070</i>	2.01 - 2.13	Spring Steel
# RR-481-S02	122.22 <i>4.812</i>	130.10 - 130.99	6.22 - 6.48	1.73 - 1.93	128.91 - 129.21	1.83 <i>0.072</i>	2.01 - 2.13	302 Stainless Steel
# RR-487	123.83 <i>4.875</i>	128.40 - 129.29	6.22 - 6.48	1.73 - 1.93	127.23 - 127.53	1.78 <i>0.070</i>	2.01 - 2.13	Spring Steel
# RR-487-S02	123.83 <i>4.875</i>	131.70 - 132.59	6.22 - 6.48	1.73 - 1.93	130.51 - 130.81	1.83 <i>0.072</i>	2.01 - 2.13	302 Stainless Steel
# RR-492	124.99 <i>4.921</i>	129.59 - 130.48	6.22 - 6.48	1.73 - 1.93	128.40 - 128.70	1.78 <i>0.070</i>	2.01 - 2.13	Spring Steel
# RR-492-S02	124.99 <i>4.921</i>	134.72 - 135.61	6.22 - 6.48	1.73 - 1.93	133.50 - 133.81	1.83 <i>0.072</i>	2.01 - 2.13	302 Stainless Steel
# RR-493	125.40 <i>4.937</i>	130.10 - 130.99	6.22 - 6.48	1.73 - 1.93	128.91 - 129.21	1.83 <i>0.072</i>	2.01 - 2.13	Spring Steel
# RR-493-S02	125.40 <i>4.937</i>	134.90 - 135.79	6.22 - 6.48	1.73 - 1.93	133.68 - 133.99	1.83 <i>0.072</i>	2.01 - 2.13	302 Stainless Steel

# Indicates item not stocked at time of printing - Please enquire for lead time

E&OE Pricing and all details subject to change without notice - Copyright Miniature Bearings Australia Pty Ltd

MBA Size Listings are a guide to sizes only and must not be solely relied on for critical design information.

## Spiral Rings - Internal - Medium Duty

Part Number	Bore (Db) mm <i>inches</i>	Free Outside Dia. (Dr) mm <i>inches</i>	Radial Wall (S) mm <i>inches</i>	Thickness (T) mm <i>inches</i>	Groove Dia. (Dg) mm <i>inches</i>	Groove Depth (d) mm <i>inches</i>	Groove Width (W) mm <i>inches</i>	Material
# RR-500	127.00 <i>5.000</i>	131.70 - 132.59	6.22 - 6.48	1.73 - 1.93	130.51 - 130.81	1.83 <i>0.072</i>	2.01 - 2.13	Spring Steel
# RR-500-S02	127.00 <i>5.000</i>	138.07 - 139.22	6.22 - 6.48	1.73 - 1.93	136.80 - 137.16	1.83 <i>0.072</i>	2.01 - 2.13	302 Stainless Steel
# RR-511	130.00 <i>5.118</i>	134.72 - 135.61	6.22 - 6.48	1.73 - 1.93	133.50 - 133.81	1.83 <i>0.072</i>	2.01 - 2.13	Spring Steel
# RR-511-S02	130.00 <i>5.118</i>	141.38 - 142.52	6.22 - 6.48	1.73 - 1.93	140.08 - 140.44	1.88 <i>0.074</i>	2.01 - 2.13	302 Stainless Steel
# RR-512	130.18 <i>5.125</i>	134.90 - 135.79	6.22 - 6.48	1.73 - 1.93	133.68 - 133.99	1.83 <i>0.072</i>	2.01 - 2.13	Spring Steel
# RR-512-S02	130.18 <i>5.125</i>	144.60 - 145.75	6.22 - 6.48	1.73 - 1.93	143.26 - 143.61	1.88 <i>0.074</i>	2.01 - 2.13	302 Stainless Steel
# RR-525	133.35 <i>5.250</i>	138.07 - 139.22	6.22 - 6.48	1.73 - 1.93	136.80 - 137.16	1.83 <i>0.072</i>	2.01 - 2.13	Spring Steel
# RR-525-S02	133.35 <i>5.250</i>	144.86 - 146.00	6.22 - 6.48	1.73 - 1.93	143.54 - 143.89	1.88 <i>0.074</i>	2.01 - 2.13	302 Stainless Steel
# RR-537	136.53 <i>5.375</i>	141.38 - 142.52	6.22 - 6.48	1.73 - 1.93	140.08 - 140.44	1.88 <i>0.074</i>	2.01 - 2.13	Spring Steel
# RR-537-S02	136.53 <i>5.375</i>	147.78 - 148.92	6.22 - 6.48	1.73 - 1.93	146.43 - 146.79	1.88 <i>0.074</i>	2.01 - 2.13	302 Stainless Steel

# Indicates item not stocked at time of printing - Please enquire for lead time

E&OE Pricing and all details subject to change without notice - Copyright Miniature Bearings Australia Pty Ltd

MBA Size Listings are a guide to sizes only and must not be solely relied on for critical design information.

## Spiral Rings - Internal - Medium Duty

Part Number	Bore (Db) mm <i>inches</i>	Free Outside Dia. (Dr) mm <i>inches</i>	Radial Wall (S) mm <i>inches</i>	Thickness (T) mm <i>inches</i>	Groove Dia. (Dg) mm <i>inches</i>	Groove Depth (d) mm <i>inches</i>	Groove Width (W) mm <i>inches</i>	Material
# RR-550	139.70 <i>5.500</i>	144.60 - 145.75	6.22 - 6.48	1.73 - 1.93	143.26 - 143.61	1.88 <i>0.074</i>	2.01 - 2.13	Spring Steel
# RR-550-S02	139.70 <i>5.500</i>	150.09 - 151.23	6.22 - 6.48	1.73 - 1.93	148.69 - 149.05	1.96 <i>0.077</i>	2.01 - 2.13	302 Stainless Steel
# RR-551	139.98 <i>5.511</i>	144.86 - 146.00	6.22 - 6.48	1.73 - 1.93	143.54 - 143.89	1.88 <i>0.074</i>	2.01 - 2.13	Spring Steel
# RR-551-S02	139.98 <i>5.511</i>	151.13 - 152.27	6.22 - 6.48	1.73 - 1.93	149.76 - 150.11	1.96 <i>0.077</i>	2.01 - 2.13	302 Stainless Steel
# RR-562	142.88 <i>5.625</i>	147.78 - 148.92	6.22 - 6.48	1.73 - 1.93	146.43 - 146.79	1.88 <i>0.074</i>	2.01 - 2.13	Spring Steel
# RR-562-S02	142.88 <i>5.625</i>	154.36 - 155.50	6.22 - 6.48	1.73 - 1.93	152.93 - 153.29	1.96 <i>0.077</i>	2.01 - 2.13	302 Stainless Steel
# RR-570	144.98 <i>5.708</i>	150.09 - 151.23	6.22 - 6.48	1.73 - 1.93	148.69 - 149.05	1.96 <i>0.077</i>	2.01 - 2.13	Spring Steel
# RR-570-S02	144.98 <i>5.708</i>	155.09 - 156.24	6.22 - 6.48	1.73 - 1.93	153.70 - 154.05	1.96 <i>0.077</i>	2.01 - 2.13	302 Stainless Steel
# RR-575	146.05 <i>5.750</i>	151.13 - 152.27	6.22 - 6.48	1.73 - 1.93	149.76 - 150.11	1.96 <i>0.077</i>	2.01 - 2.13	Spring Steel
# RR-575-S02	146.05 <i>5.750</i>	157.53 - 158.67	6.22 - 6.48	1.73 - 1.93	156.11 - 156.46	1.96 <i>0.077</i>	2.01 - 2.13	302 Stainless Steel

# Indicates item not stocked at time of printing - Please enquire for lead time

E&OE Pricing and all details subject to change without notice - Copyright Miniature Bearings Australia Pty Ltd

MBA Size Listings are a guide to sizes only and must not be solely relied on for critical design information.

## Spiral Rings - Internal - Medium Duty

Part Number	Bore (Db) mm <i>inches</i>	Free Outside Dia. (Dr) mm <i>inches</i>	Radial Wall (S) mm <i>inches</i>	Thickness (T) mm <i>inches</i>	Groove Dia. (Dg) mm <i>inches</i>	Groove Depth (d) mm <i>inches</i>	Groove Width (W) mm <i>inches</i>	Material
# RR-587	149.23 <i>5.875</i>	154.36 - 155.50	6.22 - 6.48	1.73 - 1.93	152.93 - 153.29	1.96 <i>0.077</i>	2.01 - 2.13	Spring Steel
# RR-587-S02	149.23 <i>5.875</i>	161.26 - 162.41	7.77 - 8.08	2.08 - 2.29	159.74 - 160.15	2.18 <i>0.086</i>	2.39 - 2.54	302 Stainless Steel
# RR-590	149.99 <i>5.905</i>	155.09 - 156.24	6.22 - 6.48	1.73 - 1.93	153.70 - 154.05	1.96 <i>0.077</i>	2.01 - 2.13	Spring Steel
# RR-590-S02	149.99 <i>5.905</i>	164.44 - 165.84	7.77 - 8.08	2.08 - 2.29	162.92 - 163.32	2.18 <i>0.086</i>	2.39 - 2.54	302 Stainless Steel
# RR-600	152.40 <i>6.000</i>	157.53 - 158.67	6.22 - 6.48	1.73 - 1.93	156.11 - 156.46	1.96 <i>0.077</i>	2.01 - 2.13	Spring Steel
# RR-600-S02	152.40 <i>6.000</i>	165.71 - 167.11	7.77 - 8.08	2.08 - 2.29	164.16 - 164.57	2.18 <i>0.086</i>	2.39 - 2.54	302 Stainless Steel
# RR-612	155.58 <i>6.125</i>	161.26 - 162.41	7.77 - 8.08	2.08 - 2.29	159.74 - 160.15	2.18 <i>0.086</i>	2.39 - 2.54	Spring Steel
# RR-612-S02	155.58 <i>6.125</i>	167.67 - 169.06	7.77 - 8.08	2.08 - 2.29	166.09 - 166.50	2.18 <i>0.086</i>	2.39 - 2.54	302 Stainless Steel
# RR-625	158.75 <i>6.250</i>	164.44 - 165.84	7.77 - 8.08	2.08 - 2.29	162.92 - 163.32	2.18 <i>0.086</i>	2.39 - 2.54	Spring Steel
# RR-625-S02	158.75 <i>6.250</i>	170.84 - 172.24	7.77 - 8.08	2.08 - 2.29	169.27 - 169.67	2.18 <i>0.086</i>	2.39 - 2.54	302 Stainless Steel

# Indicates item not stocked at time of printing - Please enquire for lead time

E&OE Pricing and all details subject to change without notice - Copyright Miniature Bearings Australia Pty Ltd

MBA Size Listings are a guide to sizes only and must not be solely relied on for critical design information.

## Spiral Rings - Internal - Medium Duty

Part Number	Bore (Db) mm <i>inches</i>	Free Outside Dia. (Dr) mm <i>inches</i>	Radial Wall (S) mm <i>inches</i>	Thickness (T) mm <i>inches</i>	Groove Dia. (Dg) mm <i>inches</i>	Groove Depth (d) mm <i>inches</i>	Groove Width (W) mm <i>inches</i>	Material
# RR-629	159.99 <i>6.299</i>	165.71 - 167.11	7.77 - 8.08	2.08 - 2.29	164.16 - 164.57	2.18 <i>0.086</i>	2.39 - 2.54	Spring Steel
# RR-629-S02	159.99 <i>6.299</i>	174.32 - 175.72	7.77 - 8.08	2.08 - 2.29	172.69 - 173.10	2.31 <i>0.091</i>	2.39 - 2.54	302 Stainless Steel
# RR-637	161.93 <i>6.375</i>	167.67 - 169.06	7.77 - 8.08	2.08 - 2.29	166.09 - 166.50	2.18 <i>0.086</i>	2.39 - 2.54	Spring Steel
# RR-637-S02	161.93 <i>6.375</i>	176.05 - 177.44	7.77 - 8.08	2.08 - 2.29	174.40 - 174.80	2.31 <i>0.091</i>	2.39 - 2.54	302 Stainless Steel
# RR-669-S02	161.93 <i>6.375</i>	183.87 - 185.27	7.77 - 8.08	2.08 - 2.29	182.22 - 182.63	2.31 <i>0.091</i>	2.39 - 2.54	302 Stainless Steel
# RR-650	165.10 <i>6.500</i>	170.84 - 172.24	7.77 - 8.08	2.08 - 2.29	169.27 - 169.67	2.18 <i>0.086</i>	2.39 - 2.54	Spring Steel
# RR-650-S02	165.10 <i>6.500</i>	177.47 - 178.87	7.77 - 8.08	2.08 - 2.29	175.87 - 176.28	2.31 <i>0.091</i>	2.39 - 2.54	302 Stainless Steel
# RR-662	168.28 <i>6.625</i>	174.32 - 175.72	7.77 - 8.08	2.08 - 2.29	172.69 - 173.10	2.31 <i>0.091</i>	2.39 - 2.54	Spring Steel
# RR-662-S02	168.28 <i>6.625</i>	180.70 - 182.09	7.77 - 8.08	2.08 - 2.29	179.04 - 179.45	2.31 <i>0.091</i>	2.39 - 2.54	302 Stainless Steel
# RR-675	171.45 <i>6.750</i>	186.36 - 187.76	7.77 - 8.08	2.08 - 2.29	184.66 - 185.06	2.44 <i>0.096</i>	2.39 - 2.54	Spring Steel

# Indicates item not stocked at time of printing - Please enquire for lead time

E&OE Pricing and all details subject to change without notice - Copyright Miniature Bearings Australia Pty Ltd

MBA Size Listings are a guide to sizes only and must not be solely relied on for critical design information.

## Spiral Rings - Internal - Medium Duty

Part Number	Bore (Db) mm <i>inches</i>	Free Outside Dia. (Dr) mm <i>inches</i>	Radial Wall (S) mm <i>inches</i>	Thickness (T) mm <i>inches</i>	Groove Dia. (Dg) mm <i>inches</i>	Groove Depth (d) mm <i>inches</i>	Groove Width (W) mm <i>inches</i>	Material
# RR-687	174.63 <i>6.875</i>	187.35 - 188.75	7.77 - 8.08	2.08 - 2.29	185.65 - 186.06	2.44 <i>0.096</i>	2.39 - 2.54	Spring Steel
# RR-669	177.80 <i>7.000</i>	183.87 - 185.27	7.77 - 8.08	2.08 - 2.29	182.22 - 182.63	2.31 <i>0.091</i>	2.39 - 2.54	Spring Steel
# RR-700	177.80 <i>7.000</i>	190.53 - 191.92	7.77 - 8.08	2.08 - 2.29	188.82 - 189.23	2.44 <i>0.096</i>	2.39 - 2.54	Spring Steel
# RR-708	179.98 <i>7.086</i>	193.75 - 195.15	7.77 - 8.08	2.08 - 2.29	192.00 - 192.41	2.44 <i>0.096</i>	2.39 - 2.54	Spring Steel
# RR-675-S02	179.98 <i>7.086</i>	193.75 - 195.15	7.77 - 8.08	2.08 - 2.29	192.00 - 192.41	2.44 <i>0.096</i>	2.39 - 2.54	302 Stainless Steel
# RR-712	180.98 <i>7.125</i>	196.44 - 197.84	7.77 - 8.08	2.08 - 2.29	194.67 - 195.07	2.44 <i>0.096</i>	2.39 - 2.54	Spring Steel
# RR-687-S02	180.98 <i>7.125</i>	196.44 - 197.84	7.77 - 8.08	2.08 - 2.29	194.67 - 195.07	2.44 <i>0.096</i>	2.39 - 2.54	302 Stainless Steel
# RR-700-S02	184.15 <i>7.250</i>	196.95 - 198.60	7.77 - 8.08	2.08 - 2.29	195.17 - 195.58	2.44 <i>0.096</i>	2.39 - 2.54	302 Stainless Steel
# RR-725	184.15 <i>7.250</i>	196.95 - 198.60	7.77 - 8.08	2.08 - 2.29	195.17 - 195.58	2.44 <i>0.096</i>	2.39 - 2.54	Spring Steel
# RR-737	187.33 <i>7.375</i>	200.41 - 202.06	7.77 - 8.08	2.08 - 2.29	198.60 - 199.01	2.57 <i>0.101</i>	2.39 - 2.54	Spring Steel

# Indicates item not stocked at time of printing - Please enquire for lead time

E&OE Pricing and all details subject to change without notice - Copyright Miniature Bearings Australia Pty Ltd

MBA Size Listings are a guide to sizes only and must not be solely relied on for critical design information.

## Spiral Rings - Internal - Medium Duty

Part Number	Bore (Db) mm <i>inches</i>	Free Outside Dia. (Dr) mm <i>inches</i>	Radial Wall (S) mm <i>inches</i>	Thickness (T) mm <i>inches</i>	Groove Dia. (Dg) mm <i>inches</i>	Groove Depth (d) mm <i>inches</i>	Groove Width (W) mm <i>inches</i>	Material
# RR-708-S02	187.33 <i>7.375</i>	200.41 - 202.06	7.77 - 8.08	2.08 - 2.29	198.60 - 199.01	2.57 <i>0.101</i>	2.39 - 2.54	302 Stainless Steel
# RR-748	189.99 <i>7.480</i>	203.56 - 205.21	7.77 - 8.08	2.08 - 2.29	201.78 - 202.18	2.57 <i>0.101</i>	2.39 - 2.54	Spring Steel
# RR-712-S02	189.99 <i>7.480</i>	203.56 - 205.21	7.77 - 8.08	2.08 - 2.29	201.78 - 202.18	2.57 <i>0.101</i>	2.39 - 2.54	302 Stainless Steel
# RR-750	190.50 <i>7.500</i>	206.53 - 208.18	7.77 - 8.08	2.08 - 2.29	204.95 - 205.36	2.57 <i>0.101</i>	2.39 - 2.54	Spring Steel
# RR-725-S02	190.50 <i>7.500</i>	206.53 - 208.18	7.77 - 8.08	2.08 - 2.29	204.95 - 205.36	2.57 <i>0.101</i>	2.39 - 2.54	302 Stainless Steel
# RR-762	193.68 <i>7.625</i>	209.96 - 211.61	7.77 - 8.08	2.08 - 2.29	208.13 - 208.53	2.57 <i>0.101</i>	2.39 - 2.54	Spring Steel
# RR-737-S02	193.68 <i>7.625</i>	209.96 - 211.61	7.77 - 8.08	2.08 - 2.29	208.13 - 208.53	2.57 <i>0.101</i>	2.39 - 2.54	302 Stainless Steel
# RR-775	196.85 <i>7.750</i>	216.61 - 218.26	9.37 - 9.68	2.08 - 2.29	214.73 - 215.14	2.69 <i>0.106</i>	2.39 - 2.54	Spring Steel
# RR-748-S02	196.85 <i>7.750</i>	216.61 - 218.26	9.37 - 9.68	2.08 - 2.29	214.73 - 215.14	2.69 <i>0.106</i>	2.39 - 2.54	302 Stainless Steel
# RR-787	200.03 <i>7.875</i>	217.07 - 218.72	9.37 - 9.68	2.08 - 2.29	215.16 - 215.57	2.69 <i>0.106</i>	2.39 - 2.54	Spring Steel

# Indicates item not stocked at time of printing - Please enquire for lead time

E&OE Pricing and all details subject to change without notice - Copyright Miniature Bearings Australia Pty Ltd

MBA Size Listings are a guide to sizes only and must not be solely relied on for critical design information.

## Spiral Rings - Internal - Medium Duty

Part Number	Bore (Db) mm <i>inches</i>	Free Outside Dia. (Dr) mm <i>inches</i>	Radial Wall (S) mm <i>inches</i>	Thickness (T) mm <i>inches</i>	Groove Dia. (Dg) mm <i>inches</i>	Groove Depth (d) mm <i>inches</i>	Groove Width (W) mm <i>inches</i>	Material
# RR-750-S02	200.03 <i>7.875</i>	217.07 - 218.72	9.37 - 9.68	2.08 - 2.29	215.16 - 215.57	2.69 <i>0.106</i>	2.39 - 2.54	302 Stainless Steel
# RR-762-S02	203.20 <i>8.000</i>	222.10 - 223.75	9.37 - 9.68	2.08 - 2.29	220.17 - 220.57	2.69 <i>0.106</i>	2.39 - 2.54	302 Stainless Steel
# RR-800	203.20 <i>8.000</i>	222.10 - 223.75	9.37 - 9.68	2.08 - 2.29	220.17 - 220.57	2.69 <i>0.106</i>	2.39 - 2.54	Spring Steel
# RR-775-S02	209.55 <i>8.250</i>	223.01 - 224.66	9.37 - 9.68	2.08 - 2.29	221.08 - 221.49	2.69 <i>0.106</i>	2.39 - 2.54	302 Stainless Steel
# RR-825	209.55 <i>8.250</i>	223.01 - 224.66	9.37 - 9.68	2.08 - 2.29	221.08 - 221.49	2.69 <i>0.106</i>	2.39 - 2.54	Spring Steel
# RR-826	209.98 <i>8.267</i>	229.64 - 231.29	9.37 - 9.68	2.08 - 2.29	227.69 - 228.09	2.82 <i>0.111</i>	2.39 - 2.54	Spring Steel
# RR-787-S02	209.98 <i>8.267</i>	229.64 - 231.29	9.37 - 9.68	2.08 - 2.29	227.69 - 228.09	2.82 <i>0.111</i>	2.39 - 2.54	302 Stainless Steel
# RR-800-S02	214.99 <i>8.464</i>	232.44 - 234.09	9.37 - 9.68	2.08 - 2.29	230.43 - 230.84	2.82 <i>0.111</i>	2.39 - 2.54	302 Stainless Steel
# RR-846	214.99 <i>8.464</i>	232.44 - 234.09	9.37 - 9.68	2.08 - 2.29	230.43 - 230.84	2.82 <i>0.111</i>	2.39 - 2.54	Spring Steel
# RR-825-S02	215.90 <i>8.500</i>	236.04 - 237.69	9.37 - 9.68	2.08 - 2.29	234.04 - 234.44	2.82 <i>0.111</i>	2.39 - 2.54	302 Stainless Steel

# Indicates item not stocked at time of printing - Please enquire for lead time

E&OE Pricing and all details subject to change without notice - Copyright Miniature Bearings Australia Pty Ltd

MBA Size Listings are a guide to sizes only and must not be solely relied on for critical design information.

## Spiral Rings - Internal - Medium Duty

Part Number	Bore (Db) mm <i>inches</i>	Free Outside Dia. (Dr) mm <i>inches</i>	Radial Wall (S) mm <i>inches</i>	Thickness (T) mm <i>inches</i>	Groove Dia. (Dg) mm <i>inches</i>	Groove Depth (d) mm <i>inches</i>	Groove Width (W) mm <i>inches</i>	Material
# RR-850	215.90 <i>8.500</i>	236.04 - 237.69	9.37 - 9.68	2.08 - 2.29	234.04 - 234.44	2.82 <i>0.111</i>	2.39 - 2.54	Spring Steel
# RR-875	222.25 <i>8.750</i>	237.72 - 239.37	9.37 - 9.68	2.08 - 2.29	235.69 - 236.09	2.95 <i>0.116</i>	2.39 - 2.54	Spring Steel
# RR-826-S02	222.25 <i>8.750</i>	237.72 - 239.37	9.37 - 9.68	2.08 - 2.29	235.69 - 236.09	2.95 <i>0.116</i>	2.39 - 2.54	302 Stainless Steel
# RR-885	224.99 <i>8.858</i>	242.70 - 244.35	9.37 - 9.68	2.08 - 2.29	240.64 - 241.05	2.95 <i>0.116</i>	2.39 - 2.54	Spring Steel
# RR-846-S02	224.99 <i>8.858</i>	242.70 - 244.35	9.37 - 9.68	2.08 - 2.29	240.64 - 241.05	2.95 <i>0.116</i>	2.39 - 2.54	302 Stainless Steel
# RR-925	226.70 <i>8.925</i>	255.73 - 257.38	9.37 - 9.68	2.08 - 2.29	253.59 - 254.00	3.07 <i>0.121</i>	2.39 - 2.54	Spring Steel
# RR-885-S02	226.70 <i>8.925</i>	255.73 - 257.38	9.37 - 9.68	2.08 - 2.29	253.59 - 254.00	3.07 <i>0.121</i>	2.39 - 2.54	302 Stainless Steel
# RR-850-S02	228.60 <i>9.000</i>	247.78 - 249.43	9.37 - 9.68	2.08 - 2.29	245.67 - 246.08	2.95 <i>0.116</i>	2.39 - 2.54	302 Stainless Steel
# RR-900	228.60 <i>9.000</i>	247.78 - 249.43	9.37 - 9.68	2.08 - 2.29	245.67 - 246.08	2.95 <i>0.116</i>	2.39 - 2.54	Spring Steel
# RR-875-S02	230.00 <i>9.055</i>	249.07 - 250.72	9.37 - 9.68	2.08 - 2.29	246.99 - 247.40	2.95 <i>0.116</i>	2.39 - 2.54	302 Stainless Steel

# Indicates item not stocked at time of printing - Please enquire for lead time

E&OE Pricing and all details subject to change without notice - Copyright Miniature Bearings Australia Pty Ltd

MBA Size Listings are a guide to sizes only and must not be solely relied on for critical design information.

## Spiral Rings - Internal - Medium Duty

Part Number	Bore (Db) mm <i>inches</i>	Free Outside Dia. (Dr) mm <i>inches</i>	Radial Wall (S) mm <i>inches</i>	Thickness (T) mm <i>inches</i>	Groove Dia. (Dg) mm <i>inches</i>	Groove Depth (d) mm <i>inches</i>	Groove Width (W) mm <i>inches</i>	Material
# RR-905	230.00 <i>9.055</i>	249.07 - 250.72	9.37 - 9.68	2.08 - 2.29	246.99 - 247.40	2.95 <i>0.116</i>	2.39 - 2.54	Spring Steel
# RR-944	239.98 <i>9.448</i>	262.13 - 263.78	9.37 - 9.68	2.08 - 2.29	259.94 - 260.35	3.07 <i>0.121</i>	2.39 - 2.54	Spring Steel
# RR-900-S02	239.98 <i>9.448</i>	262.13 - 263.78	9.37 - 9.68	2.08 - 2.29	259.94 - 260.35	3.07 <i>0.121</i>	2.39 - 2.54	302 Stainless Steel
# RR-905-S02	241.30 <i>9.500</i>	275.18 - 276.83	9.37 - 9.68	2.08 - 2.29	272.90 - 273.30	3.20 <i>0.126</i>	2.39 - 2.54	302 Stainless Steel
# RR-950	241.30 <i>9.500</i>	275.18 - 276.83	9.37 - 9.68	2.08 - 2.29	272.90 - 273.30	3.20 <i>0.126</i>	2.39 - 2.54	Spring Steel
# RR-925-S02	247.65 <i>9.750</i>	288.21 - 289.86	9.37 - 9.68	2.08 - 2.29	285.85 - 286.26	3.33 <i>0.131</i>	2.39 - 2.54	302 Stainless Steel
# RR-975	247.65 <i>9.750</i>	288.21 - 289.86	9.37 - 9.68	2.08 - 2.29	285.85 - 286.26	3.33 <i>0.131</i>	2.39 - 2.54	Spring Steel
# RR-1000	254.00 <i>10.000</i>	13.51 - 13.84	1.04 - 1.24	0.58 - 0.69	13.31 - 13.41	0.33 <i>0.013</i>	0.76 - 0.84	302 Stainless Steel
# RR-1050	266.70 <i>10.500</i>	13.82 - 14.15	1.04 - 1.24	0.58 - 0.69	13.61 - 13.72	0.33 <i>0.013</i>	0.76 - 0.84	302 Stainless Steel
# RR-1100	279.40 <i>11.000</i>	14.33 - 14.66	1.04 - 1.24	0.58 - 0.69	14.10 - 14.20	0.33 <i>0.013</i>	0.76 - 0.84	302 Stainless Steel

# Indicates item not stocked at time of printing - Please enquire for lead time

E&OE Pricing and all details subject to change without notice - Copyright Miniature Bearings Australia Pty Ltd

MBA Size Listings are a guide to sizes only and must not be solely relied on for critical design information.



DISTRIBUTED BY

Ask us to put your name and address here

<http://www.minibearings.com.au/product>

Ph +61 7 3245 7977

Fax +61 7 3245 1017

Catalogue requests to [catalogues@minibearings.com.au](mailto:catalogues@minibearings.com.au)
