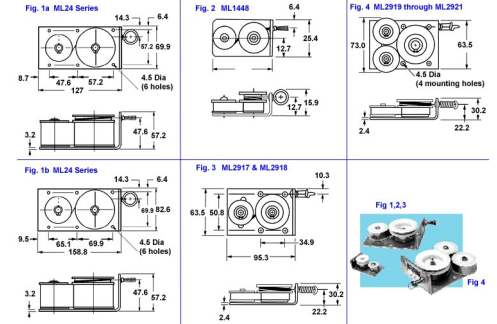


MBA

Spring Motor Assemblies - SDP



Base Mounted.

Base Mounted.

Springs : 301 Stainless Steel.

Spring Motor Assemblies - SDP

Part Number	Spring Torque +/- 10% kg.cm	Cable Tension kg	Cable Length mm	Endurance (Min) Cycles	Revs	Cable Diameter mm	Cable Material	Drums / Base Material	Approx Dimensions (LxHxW) mm	Figure
			<i>inches</i>			<i>inches</i>			<i>inches</i>	
# SMA-00.12-ML1448	0.12	0.17	914	3000	20	0.381	Nylon Monofilament	Nylon / Stainless Steel	41 x 16 x 57	Fig. 2
			<i>35.984</i>			<i>0.015</i>				
# SMA-00.90-ML2917	0.90	0.45	1829	7500	15	0.61	Uncoated Stainless Steel	Delrin or Nylon / Zinc Plated Steel	95 x 64 x 30	Fig. 3
			<i>72.008</i>			<i>0.024</i>				
# SMA-01.80-ML2918	1.80	0.89	1829	2500	15	0.61	Uncoated Stainless Steel	Delrin or Nylon / Zinc Plated Steel	95 x 64 x 30	Fig. 3
			<i>72.008</i>			<i>0.024</i>				

Indicates item not stocked at time of printing - Please enquire for lead time

E&OE Pricing and all details subject to change without notice - Copyright Miniature Bearings Australia Pty Ltd

MBA Size Listings are a guide to sizes only and must not be solely relied on for critical design information.

Spring Motor Assemblies - SDP

Part Number	Spring Torque +/- 10% kg.cm	Cable Tension kg	Cable Length mm <i>inches</i>	Endurance (Min) Cycles	Revs	Cable Diameter mm <i>inches</i>	Cable Material	Drums / Base Material	Approx Dimensions (LxHxW) mm <i>inches</i>	Figure
SMA-02.68-ML2919	2.68	1.34	1829 <i>72.008</i>	4500	15	0.61 <i>0.024</i>	Uncoated Stainless Steel	Delrin or Nylon / Zinc Plated Steel	95 x 73 x 30	Fig. 4
# SMA-03.59-ML2920	3.59	1.79	1829 <i>72.008</i>	2500	15	0.61 <i>0.024</i>	Uncoated Stainless Steel	Delrin or Nylon / Zinc Plated Steel	95 x 73 x 30	Fig. 4
# SMA-04.18-ML2492	4.18	1.38	6934 <i>272.992</i>	15000	45	0.787 <i>0.031</i>	Nylon Coated Steel	Delrin / Zinc Plated Steel	159 x 83 x 60	Fig. 1b
# SMA-04.49-ML2921	4.49	2.23	1829 <i>72.008</i>	2000	15	0.61 <i>0.024</i>	Uncoated Stainless Steel	Delrin or Nylon / Zinc Plated Steel	95 x 73 x 30	Fig. 4
# SMA-06.47-ML2490	6.47	2.23	5969 <i>235.000</i>	9000	40	0.787 <i>0.031</i>	Nylon Coated Steel	Delrin / Zinc Plated Steel	159 x 83 x 57	Fig. 1b
# SMA-07.66-ML2476	7.66	3.35	1067 <i>42.008</i>	6000	8	0.787 <i>0.031</i>	Nylon Coated Steel	Delrin / Zinc Plated Steel	127 x 70 x 57	Fig. 1a
# SMA-09.16-ML2478	9.16	4.46	940 <i>37.008</i>	5000	7	0.787 <i>0.031</i>	Nylon Coated Steel	Delrin / Zinc Plated Steel	127 x 70 x 57	Fig. 1a
# SMA-09.29-ML2488	9.29	3.35	5258 <i>207.008</i>	6000	36	0.787 <i>0.031</i>	Nylon Coated Steel	Delrin / Zinc Plated Steel	159 x 83 x 57	Fig. 1b

Indicates item not stocked at time of printing - Please enquire for lead time

E&OE Pricing and all details subject to change without notice - Copyright Miniature Bearings Australia Pty Ltd

MBA Size Listings are a guide to sizes only and must not be solely relied on for critical design information.

Spring Motor Assemblies - SDP

Part Number	Spring Torque +/- 10% kg.cm	Cable Tension kg	Cable Length mm	Endurance (Min) Cycles	Revs	Cable Diameter mm	Cable Material	Drums / Base Material	Approx Dimensions (LxHxW) mm	Figure
# SMA-12.21-ML2486	12.21	4.46	4674	4000	33	0.787	Nylon Coated Steel	Delrin / Zinc Plated Steel	159 x 83 x 57	Fig. 1b
			<i>184.016</i>			<i>0.031</i>			<i>inches</i>	
# SMA-13.71-ML2480	13.71	6.70	838	2500	6	0.787	Nylon Coated Steel	Delrin / Zinc Plated Steel	127 x 70 x 57	Fig. 1a
			<i>32.992</i>			<i>0.031</i>			<i>inches</i>	
# SMA-16.01-ML2484	16.01	6.03	4064	2500	29	0.787	Nylon Coated Steel	Delrin / Zinc Plated Steel	159 x 83 x 57	Fig. 1b
			<i>160.000</i>			<i>0.031</i>			<i>inches</i>	
# SMA-17.86-ML2482	17.86	6.70	4064	2000	29	0.787	Nylon Coated Steel	Delrin / Zinc Plated Steel	159 x 83 x 57	Fig. 1b
			<i>160.000</i>			<i>0.031</i>			<i>inches</i>	

Indicates item not stocked at time of printing - Please enquire for lead time

E&OE Pricing and all details subject to change without notice - Copyright Miniature Bearings Australia Pty Ltd

MBA Size Listings are a guide to sizes only and must not be solely relied on for critical design information.



DISTRIBUTED BY

Ask us to put your name and address here

<http://www.minibearings.com.au/product>

Ph +61 7 3245 7977

Fax +61 7 3245 1017

Catalogue requests to catalogues@minibearings.com.au

