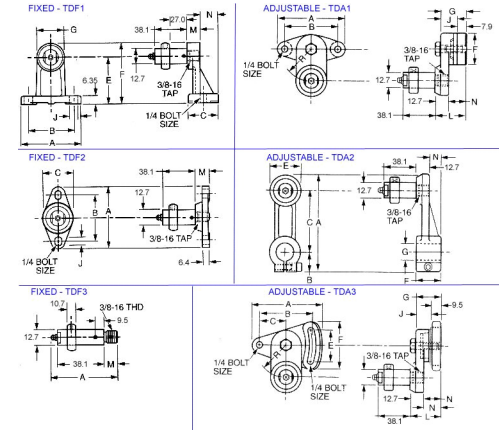




MBA

Tighteners - Drive

Malleable Iron construction.
 Shaft and Collar : Hardened Steel.
 Use with Idler pulleys and sprockets.



This catalogue to be read in conjunction with information at <http://www.minibearings.com.au//categories/l/all/pics/>

Tighteners - Drive

Part Number	Type	A mm	B mm	C mm	E mm	F mm	G mm	J mm	L mm	N mm
		<i>inches</i>	<i>inches</i>	<i>inches</i>	<i>inches</i>	<i>inches</i>	<i>inches</i>	<i>inches</i>	<i>inches</i>	<i>inches</i>
# DT-A1	A1	66.68 <i>2.625</i>	50.80 <i>2.000</i>	-	-	25.40 <i>1.000</i>	23.81 <i>0.937</i>	15.88 <i>0.625</i>	30.16 <i>1.187</i>	17.46 <i>0.687</i>
# DT-A2	A2	83.34 <i>3.281</i>	18.26 <i>0.719</i>	50.80 <i>2.000</i>	28.58 <i>1.125</i>	20.64 <i>0.813</i>	12.70 <i>0.500</i>	-	-	7.94 <i>0.313</i>
# DT-A3	A3	69.06 <i>2.719</i>	50.80 <i>2.000</i>	23.81 <i>0.937</i>	31.75 <i>1.250</i>	50.01 <i>1.969</i>	23.81 <i>0.937</i>	14.29 <i>0.563</i>	30.16 <i>1.187</i>	17.46 <i>0.687</i>

Indicates item not stocked at time of printing - Please enquire for lead time
 E&OE Pricing and all details subject to change without notice - Copyright Miniature Bearings Australia Pty Ltd
 MBA Size Listings are a guide to sizes only and must not be solely relied on for critical design information.

Tighteners - Drive

Part Number	Type	A mm <i>inches</i>	B mm <i>inches</i>	C mm <i>inches</i>	E mm <i>inches</i>	F mm <i>inches</i>	G mm <i>inches</i>	J mm <i>inches</i>	L mm <i>inches</i>	N mm <i>inches</i>
# DT-F1	F1	60.33 <i>2.375</i>	44.45 <i>1.750</i>	28.58 <i>1.125</i>	38.10 <i>1.500</i>	50.80 <i>2.000</i>	25.40 <i>1.000</i>	7.14 <i>0.281</i>		17.46 <i>0.687</i>
# DT-F2	F2	60.33 <i>2.375</i>	44.45 <i>1.750</i>	28.58 <i>1.125</i>	-	-	-	7.14 <i>0.281</i>		
# DT-F3	F3	58.74 <i>2.313</i>	-	-	-	-	-	-	-	-

Indicates item not stocked at time of printing - Please enquire for lead time

E&OE Pricing and all details subject to change without notice - Copyright Miniature Bearings Australia Pty Ltd

MBA Size Listings are a guide to sizes only and must not be solely relied on for critical design information.



DISTRIBUTED BY

Ask us to put your name and address here

<http://www.minibearings.com.au/product>

Ph +61 7 3245 7977

Fax +61 7 3245 1017

Catalogue requests to catalogues@minibearings.com.au

