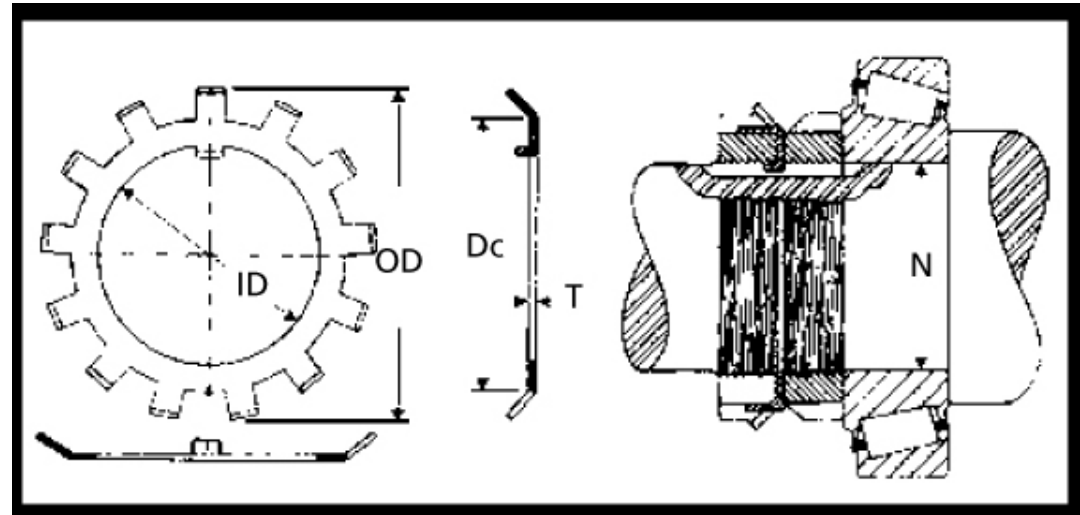




# MBA

## Washers - Lock - Tabbed - Heavy Duty

Heavy duty WH / TW Series for bearing locknuts.  
Carbon spring steel.  
Use with NH series locknuts.



### Washers - Lock - Tabbed - Heavy Duty

| Part Number | Nominal ID mm         | Free Outside Dia. (OD) mm | Inside Dia. (Min/Max mm) | Thickness (T) min/max mm | Face Dia (DC) Min/max mm | Number of tangs | Material     | Mating Locknut |
|-------------|-----------------------|---------------------------|--------------------------|--------------------------|--------------------------|-----------------|--------------|----------------|
|             | <i>inches</i>         | <i>inches</i>             | <i>inches</i>            | <i>inches</i>            | <i>inches</i>            |                 |              |                |
| # WH-00     | 10.00<br><i>0.394</i> | 21.03 - 22.62             | 10.31 - 10.69            | 0.97 - 1.17              | 15.88 - 16.26            | 9.00            | Spring Steel | NH-00          |
| # WH-01     | 12.00<br><i>0.472</i> | 24.61 - 26.19             | 12.29 - 12.67            | 0.97 - 1.17              | 18.26 - 18.64            | 9.00            | Spring Steel | NH-01          |
| # WH-02     | 15.00<br><i>0.591</i> | 27.78 - 29.37             | 15.27 - 15.65            | 1.35 - 1.60              | 20.65 - 21.01            | 11.00           | Spring Steel | NH-02          |
| # WH-03     | 17.00<br><i>0.669</i> | 32.54 - 34.13             | 17.25 - 17.63            | 1.35 - 1.60              | 23.83 - 24.21            | 11.00           | Spring Steel | NH-03          |

# Indicates item not stocked at time of printing - Please enquire for lead time  
E&OE Pricing and all details subject to change without notice - Copyright Miniature Bearings Australia Pty Ltd  
MBA Size Listings are a guide to sizes only and must not be solely relied on for critical design information.

## Washers - Lock - Tabbed - Heavy Duty

| Part Number | Nominal ID mm<br><i>inches</i> | Free Outside Dia.<br>(OD) mm<br><i>inches</i> | Inside Dia.<br>(Min/Max mm)<br><i>inches</i> | Thickness (T)<br>min/max mm<br><i>inches</i> | Face Dia (DC)<br>Min/max mm<br><i>inches</i> | Number of tangs | Material     | Mating Locknut |
|-------------|--------------------------------|---|--|--|--|-----------------|--------------|----------------|
| # WH-04     | 20.00<br><i>0.787</i>          | 38.10 - 39.69                                 | 20.35 - 20.73                                | 1.35 - 1.60                                  | 28.58 - 28.96                                | 11.00           | Spring Steel | NH-04          |
| # WH-05     | 25.00<br><i>0.984</i>          | 41.67 - 43.26                                 | 25.12 - 25.63                                | 1.45 - 1.70                                  | 32.54 - 32.92                                | 13.00           | Spring Steel | NH-05          |
| # WH-06     | 30.00<br><i>1.181</i>          | 48.02 - 49.61                                 | 30.30 - 30.81                                | 1.45 - 1.70                                  | 38.10 - 38.48                                | 13.00           | Spring Steel | NH-06          |
| # WH-065    | 33.33<br><i>1.312</i>          | 55.17 - 56.75                                 | 33.86 - 34.37                                | 1.45 - 1.70                                  | 46.05 - 46.41                                | 15.00           | Spring Steel | NH-065         |
| WH-07       | 35.00<br><i>1.378</i>          | 55.56 - 57.15                                 | 35.46 - 35.97                                | 1.45 - 1.70                                  | 46.05 - 46.41                                | 15.00           | Spring Steel | NH-07          |
| # WH-08     | 40.00<br><i>1.575</i>          | 61.52 - 63.10                                 | 40.21 - 40.72                                | 1.70 - 1.96                                  | 50.80 - 51.56                                | 15.00           | Spring Steel | NH-08          |
| # WH-09     | 45.00<br><i>1.772</i>          | 67.47 - 69.06                                 | 45.52 - 46.15                                | 1.70 - 1.96                                  | 57.94 - 58.70                                | 17.00           | Spring Steel | NH-09          |
| # WH-10     | 50.00<br><i>1.969</i>          | 72.63 - 74.22                                 | 50.60 - 51.23                                | 1.70 - 1.96                                  | 61.93 - 62.69                                | 17.00           | Spring Steel | NH-10          |
| # WH-11     | 55.00<br><i>2.165</i>          | 76.99 - 78.58                                 | 55.42 - 56.06                                | 1.70 - 1.96                                  | 67.46 - 68.22                                | 17.00           | Spring Steel | NH-11          |
| # WH-12     | 60.00<br><i>2.362</i>          | 82.95 - 84.53                                 | 60.96 - 61.60                                | 1.96 - 2.21                                  | 72.24 - 73.00                                | 17.00           | Spring Steel | NH-12          |

# Indicates item not stocked at time of printing - Please enquire for lead time

E&OE Pricing and all details subject to change without notice - Copyright Miniature Bearings Australia Pty Ltd

MBA Size Listings are a guide to sizes only and must not be solely relied on for critical design information.

## Washers - Lock - Tabbed - Heavy Duty

| Part Number | Nominal ID mm<br><i>inches</i> | Free Outside Dia.<br>(OD) mm<br><i>inches</i> | Inside Dia.<br>(Min/Max mm)<br><i>inches</i> | Thickness (T)<br>min/max mm<br><i>inches</i> | Face Dia (DC)<br>Min/max mm<br><i>inches</i> | Number of tangs | Material     | Mating Locknut |
|-------------|--------------------------------|---|--|--|--|-----------------|--------------|----------------|
| # WH-13     | 65.00<br><i>2.559</i>          | 88.90 - 90.49                                 | 73.15 - 66.37                                | 1.96 - 2.21                                  | 77.80 - 78.56                                | 19.00           | Spring Steel | NH-13          |
| # WH-14     | 70.00<br><i>2.756</i>          | 95.25 - 96.84                                 | 70.89 - 71.53                                | 1.96 - 2.21                                  | 84.15 - 84.91                                | 19.00           | Spring Steel | NH-14          |
| # WH-15     | 75.00<br><i>2.953</i>          | 101.20 - 102.79                               | 75.51 - 76.28                                | 2.26 - 2.57                                  | 90.50 - 91.26                                | 19.00           | Spring Steel | NH-15          |
| # WH-16     | 80.00<br><i>3.150</i>          | 109.93 - 111.52                               | 80.70 - 81.46                                | 2.26 - 2.57                                  | 97.64 - 98.40                                | 19.00           | Spring Steel | NH-16          |
| # WH-17     | 85.00<br><i>3.346</i>          | 115.89 - 117.48                               | 86.23 - 87.00                                | 2.26 - 2.57                                  | 102.39 - 103.15                              | 19.00           | Spring Steel | NH-17          |
| # WH-18     | 90.00<br><i>3.543</i>          | 124.22 - 125.81                               | 90.98 - 91.74                                | 3.00 - 3.35                                  | 108.74 - 109.88                              | 19.00           | Spring Steel | NH-18          |
| # WH-19     | 95.00<br><i>3.740</i>          | 131.37 - 132.95                               | 96.52 - 97.28                                | 3.00 - 3.35                                  | 115.90 - 117.02                              | 19.00           | Spring Steel | NH-19          |
| # WH-20     | 100.00<br><i>3.937</i>         | 137.72 - 139.30                               | 101.30 - 102.06                              | 3.00 - 3.35                                  | 122.25 - 123.39                              | 19.00           | Spring Steel | NH-20          |
| # WH-21     | 105.00<br><i>4.134</i>         | 143.27 - 144.86                               | 106.48 - 107.24                              | 3.00 - 3.35                                  | 127.00 - 128.14                              | 19.00           | Spring Steel | NH-21          |
| # WH-22     | 110.00<br><i>4.331</i>         | 150.81 - 152.40                               | 111.63 - 107.95                              | 3.38 - 3.73                                  | 134.14 - 135.28                              | 19.00           | Spring Steel | NH-22          |

# Indicates item not stocked at time of printing - Please enquire for lead time

E&OE Pricing and all details subject to change without notice - Copyright Miniature Bearings Australia Pty Ltd

MBA Size Listings are a guide to sizes only and must not be solely relied on for critical design information.

## Washers - Lock - Tabbed - Heavy Duty

| Part Number | Nominal ID mm<br><i>inches</i> | Free Outside Dia.<br>(OD) mm<br><i>inches</i> | Inside Dia.<br>(Min/Max mm)<br><i>inches</i> | Thickness (T)<br>min/max mm<br><i>inches</i> | Face Dia (DC)<br>Min/max mm<br><i>inches</i> | Number of tangs | Material     | Mating Locknut |
|-------------|--------------------------------|---|--|--|--|-----------------|--------------|----------------|
| # WH-24     | 120.00<br><i>4.724</i>         | 164.31 - 165.89                               | 121.95 - 122.71                              | 3.99 - 4.39                                  | 144.48 - 145.62                              | 19.00           | Spring Steel | NH-24          |
| # WH-26     | 130.00<br><i>5.118</i>         | 177.40 - 178.99                               | 131.85 - 132.74                              | 3.99 - 4.39                                  | 157.18 - 158.32                              | 19.00           | Spring Steel | NH-26          |
| # WH-28     | 140.00<br><i>5.512</i>         | 187.33 - 188.91                               | 141.78 - 142.67                              | 3.99 - 4.39                                  | 165.89 - 167.03                              | 19.00           | Spring Steel | NH-28          |
| # WH-30     | 150.00<br><i>5.906</i>         | 203.20 - 204.79                               | 151.97 - 152.86                              | 4.93 - 5.38                                  | 179.40 - 180.92                              | 19.00           | Spring Steel | NH-30          |
| # WH-32     | 160.00<br><i>6.299</i>         | 213.12 - 214.71                               | 162.28 - 163.17                              | 4.93 - 5.38                                  | 188.93 - 190.45                              | 19.00           | Spring Steel | NH-32          |
| # WH-34     | 170.00<br><i>6.693</i>         | 228.94 - 230.53                               | 171.81 - 172.69                              | 4.93 - 5.38                                  | 203.99 - 205.51                              | 19.00           | Spring Steel | NH-34          |
| # WH-36     | 180.00<br><i>7.087</i>         | 238.13 - 239.71                               | 182.14 - 183.03                              | 4.93 - 5.38                                  | 212.73 - 214.25                              | 19.00           | Spring Steel | NH-36          |
| # WH-38     | 190.00<br><i>7.480</i>         | 248.84 - 250.43                               | 192.46 - 193.34                              | 4.93 - 5.38                                  | 223.04 - 224.56                              | 19.00           | Spring Steel | NH-38          |
| # WH-40     | 200.00<br><i>7.874</i>         | 262.73 - 264.32                               | 202.74 - 203.63                              | 4.93 - 5.33                                  | 232.56 - 234.09                              | 19.00           | Spring Steel | NH-40          |

# Indicates item not stocked at time of printing - Please enquire for lead time

E&OE Pricing and all details subject to change without notice - Copyright Miniature Bearings Australia Pty Ltd

MBA Size Listings are a guide to sizes only and must not be solely relied on for critical design information.



DISTRIBUTED BY

Ask us to put your name and address here

<http://www.minibearings.com.au/product>

Ph +61 7 3245 7977

Fax +61 7 3245 1017

Catalogue requests to [catalogues@minibearings.com.au](mailto:catalogues@minibearings.com.au)

