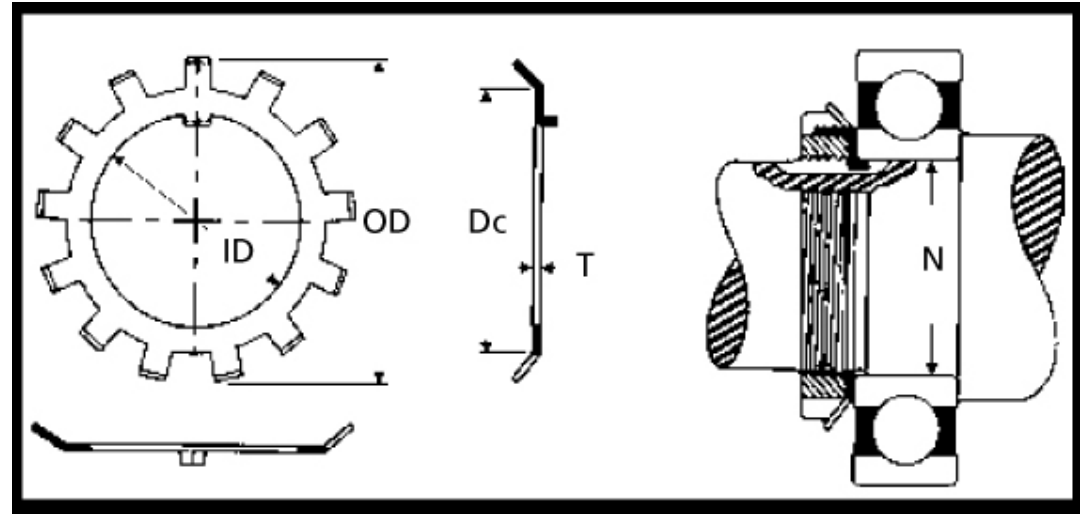




MBA

Washers - Lock - Tabbed - Thin

Thin section - use with NT series locknuts.
Use with NT series locknuts.



Washers - Lock - Tabbed - Thin

Part Number	Nominal ID mm <i>inches</i>	Free Outside Dia. (OD) mm <i>inches</i>	Inside Dia. (Min/Max mm) <i>inches</i>	Thickness (T) min/max mm <i>inches</i>	Face Dia (DC) Min/max mm <i>inches</i>	Number of tangs	Material	Mating Locknut
# WT-00	10.00 <i>0.394</i>	19.45 - 21.03 <i>inches</i>	10.31 - 10.69 <i>inches</i>	0.91 - 1.12 <i>inches</i>	13.49 - 14.00 <i>inches</i>	9.00	Spring Steel	NT-00
# WT-01	12.00 <i>0.472</i>	21.83 - 23.42 <i>inches</i>	12.29 - 12.67 <i>inches</i>	0.91 - 1.12 <i>inches</i>	15.88 - 16.38 <i>inches</i>	9.00	Spring Steel	NT-01
# WT-02	15.00 <i>0.591</i>	26.19 - 27.78 <i>inches</i>	15.27 - 15.65 <i>inches</i>	0.91 - 1.12 <i>inches</i>	19.05 - 19.56 <i>inches</i>	11.00	Spring Steel	NT-02
# WT-03	17.00 <i>0.669</i>	28.97 - 30.56 <i>inches</i>	17.25 - 17.63 <i>inches</i>	0.91 - 1.12 <i>inches</i>	22.23 - 22.73 <i>inches</i>	11.00	Spring Steel	NT-03

Indicates item not stocked at time of printing - Please enquire for lead time
E&OE Pricing and all details subject to change without notice - Copyright Miniature Bearings Australia Pty Ltd
MBA Size Listings are a guide to sizes only and must not be solely relied on for critical design information.

Washers - Lock - Tabbed - Thin

Part Number	Nominal ID mm <i>inches</i>	Free Outside Dia. (OD) mm <i>inches</i>	Inside Dia. (Min/Max mm) <i>inches</i>	Thickness (T) min/max mm <i>inches</i>	Face Dia (DC) Min/max mm <i>inches</i>	Number of tangs	Material	Mating Locknut
# WT-04	20.00 <i>0.787</i>	33.34 - 34.93	20.35 - 20.73	0.91 - 1.12	25.40 - 25.91	11.00	Spring Steel	NT-04
# WT-05	25.00 <i>0.984</i>	38.10 - 39.69	25.12 - 25.63	1.17 - 1.37	30.18 - 30.68	13.00	Spring Steel	NT-05
# WT-06	30.00 <i>1.181</i>	45.64 - 47.23	30.30 - 30.81	1.17 - 1.37	36.53 - 37.03	13.00	Spring Steel	NT-06
# WT-07	35.00 <i>1.378</i>	51.20 - 52.78	35.46 - 3.60	1.17 - 1.37	42.06 - 42.57	15.00	Spring Steel	NT-07
# WT-08	40.00 <i>1.575</i>	55.56 - 57.15	40.21 - 40.72	1.47 - 1.73	46.84 - 47.35	15.00	Spring Steel	NT-08
# WT-09	45.00 <i>1.772</i>	61.91 - 63.50	45.52 - 46.15	1.47 - 1.73	52.37 - 52.88	17.00	Spring Steel	NT-09
# WT-10	50.00 <i>1.969</i>	66.68 - 68.26	50.60 - 51.23	1.47 - 1.73	57.15 - 57.66	17.00	Spring Steel	NT-10
# WT-11	55.00 <i>2.165</i>	73.42 - 75.01	55.42 - 56.06	1.47 - 1.73	63.50 - 64.01	17.00	Spring Steel	NT-11
# WT-12	60.00 <i>2.362</i>	79.38 - 80.96	60.96 - 61.60	1.47 - 1.73	68.28 - 68.78	17.00	Spring Steel	NT-12
# WT-13	65.00 <i>2.559</i>	84.14 - 85.73	65.74 - 66.37	1.47 - 1.73	73.03 - 73.53	19.00	Spring Steel	NT-13

Indicates item not stocked at time of printing - Please enquire for lead time

E&OE Pricing and all details subject to change without notice - Copyright Miniature Bearings Australia Pty Ltd

MBA Size Listings are a guide to sizes only and must not be solely relied on for critical design information.

Washers - Lock - Tabbed - Thin

Part Number	Nominal ID mm <i>inches</i>	Free Outside Dia. (OD) mm <i>inches</i>	Inside Dia. (Min/Max mm) <i>inches</i>	Thickness (T) min/max mm <i>inches</i>	Face Dia (DC) Min/max mm <i>inches</i>	Number of tangs	Material	Mating Locknut
# WT-14	70.00 <i>2.756</i>	89.69 - 91.28	70.89 - 71.53	1.47 - 1.73	78.59 - 79.10	19.00	Spring Steel	NT-14
# WT-15	75.00 <i>2.953</i>	98.03 - 99.62	75.51 - 76.28	1.47 - 1.73	95.25 - 86.23	19.00	Spring Steel	NT-15
# WT-16	80.00 <i>3.150</i>	103.58 - 105.17	80.70 - 81.46	1.47 - 1.73	91.29 - 91.80	19.00	Spring Steel	NT-16
# WT-17	85.00 <i>3.346</i>	109.14 - 110.73	86.23 - 87.00	1.47 - 1.73	96.82 - 97.33	19.00	Spring Steel	NT-17
# WT-18	90.00 <i>3.543</i>	113.90 - 115.49	90.98 - 91.74	1.47 - 1.73	101.60 - 102.11	19.00	Spring Steel	NT-18

Indicates item not stocked at time of printing - Please enquire for lead time

E&OE Pricing and all details subject to change without notice - Copyright Miniature Bearings Australia Pty Ltd

MBA Size Listings are a guide to sizes only and must not be solely relied on for critical design information.



DISTRIBUTED BY

Ask us to put your name and address here

<http://www.minibearings.com.au/product>

Ph +61 7 3245 7977

Fax +61 7 3245 1017

Catalogue requests to catalogues@minibearings.com.au

