



MBA

Worms and Worm Gears - 32 Pitch (Series 2) - Metallic

Worms and Gears must be chosen from the same pitch and series to match.

20 Degree Pressure Angle - 8.13 Degree Lead Angle - 2 Lead.

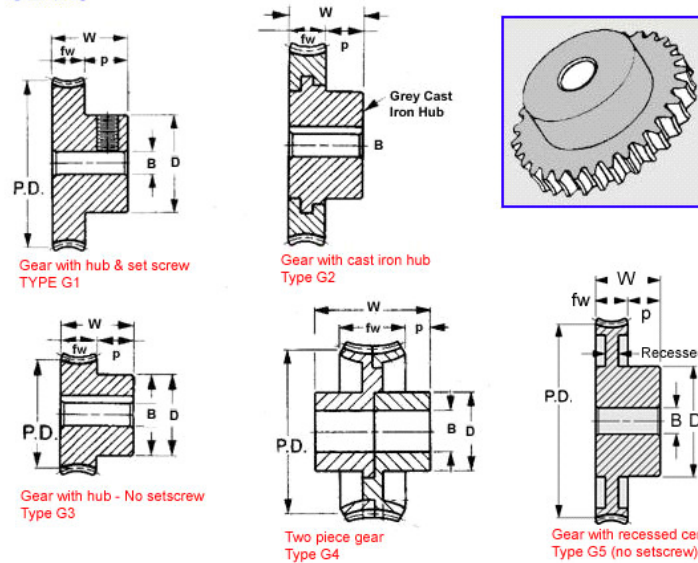
A single start worm and gear will provide a ratio equivalent to the number of teeth on the gear.

A double start worm and gear will provide a ratio of half the number of teeth on the gear.

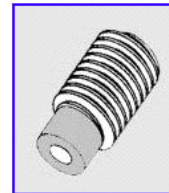
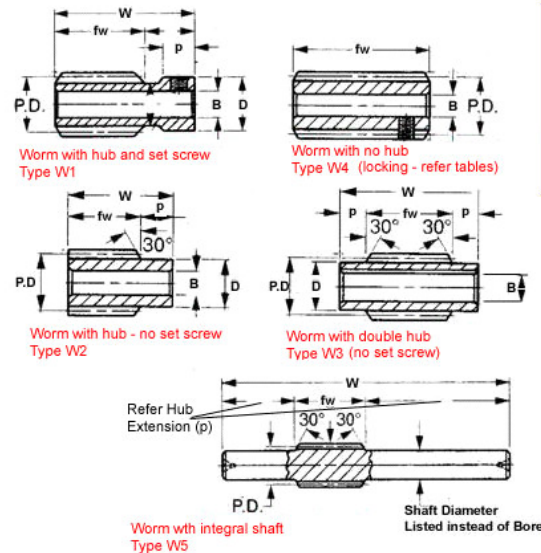
Worms are shown in the table following the gears. This may not be on the same page.

Worms and Gears in this category match each other if the thread direction is the same.

GEARS



WORMS



Worms and Worm Gears - 32 Pitch (Series 2) - Metallic

Part Number	Gear or Worm	Teeth / PCD (No. / mm)	Direction	Starts / Type	Bore (B) mm <i>inches</i>	Overall Width or Length (w) mm <i>inches</i>	Face Width (fw) mm <i>inches</i>	Hub Diameter (D) / Lock Method mm <i>inches</i>	Quality / Material	Hub Projection (p) mm <i>inches</i>
# WG2R32-2-020-06HP0476-BRZ	Gear with Hub	20 / 15.88	Right Hand	Double / Type G3	4.763 <i>0.188</i>	11.906 <i>0.469</i>	5.558 <i>0.219</i>	12.70 / No Set Screw	Commercial / Bronze	6.35 <i>0.250</i>
# WG2R32-2-030-05HP0476-BRZ	Gear with Hub	30 / 23.83	Right Hand	Double / Type G3	4.763 <i>0.188</i>	11.113 <i>0.438</i>	4.762 <i>0.187</i>	15.87 / No Set Screw	Commercial / Bronze	6.35 <i>0.250</i>
# WG2R32-2-030-06HP0476-BRZ	Gear with Hub	30 / 23.83	Right Hand	Double / Type G3	4.763 <i>0.188</i>	11.906 <i>0.469</i>	5.558 <i>0.219</i>	15.87 / No Set Screw	Commercial / Bronze	6.35 <i>0.250</i>
# WG2R32-2-040-06HP0635-BRZ	Gear with Hub	40 / 31.75	Right Hand	Double / Type G3	6.350 <i>0.250</i>	11.906 <i>0.469</i>	5.558 <i>0.219</i>	15.87 / No Set Screw	Commercial / Bronze	7.94 <i>0.313</i>
# WG2R32-2-048-05HP0476-BRZ	Gear with Hub	48 / 38.10	Right Hand	Double / Type G3	4.763 <i>0.188</i>	11.113 <i>0.438</i>	4.762 <i>0.187</i>	12.70 / No Set Screw	Commercial / Bronze	6.35 <i>0.250</i>
# WG2R32-2-050-06HP0635-BRZ	Gear with Hub	50 / 39.68	Right Hand	Double / Type G3	6.350 <i>0.250</i>	12.700 <i>0.500</i>	6.350 <i>0.250</i>	15.87 / No Set Screw	Commercial / Bronze	7.94 <i>0.313</i>

Indicates item not stocked at time of printing - Please enquire for lead time

E&OE Pricing and all details subject to change without notice - Copyright Miniature Bearings Australia Pty Ltd

MBA Size Listings are a guide to sizes only and must not be solely relied on for critical design information.

Worms and Worm Gears - 32 Pitch (Series 2) - Metallic

Part Number	Gear or Worm	Teeth / PCD (No. / mm)	Direction	Starts / Type	Bore (B) mm	Overall Width or Length (w) mm	Face Width (fw) mm	Hub Diameter (D) / Lock Method mm	Quality / Material	Hub Projection (p) mm
					<i>inches</i>	<i>inches</i>	<i>inches</i>	<i>inches</i>		<i>inches</i>
# WG2R32-2-060-06HP0635-BRZ	Gear with Hub	60 / 47.63	Right Hand	Double / Type G3	6.350	12.700	6.350	17.46 / No Set Screw	Commercial / Bronze	7.94
					<i>0.250</i>	<i>0.500</i>	<i>0.250</i>			<i>0.313</i>
# WG2R32-2-072-08HP0794-BRZ	Gear with Hub	72 / 57.15	Right Hand	Double / Type G3	7.938	12.700	7.938	15.87 / No Set Screw	Commercial / Bronze	7.94
					<i>0.313</i>	<i>0.500</i>	<i>0.313</i>			<i>0.313</i>
# WG2R32-2-080-08HP0794-BRZ	Gear with Hub	80 / 63.50	Right Hand	Double / Type G3	7.938	12.700	7.938	17.46 / No Set Screw	Commercial / Bronze	7.94
					<i>0.313</i>	<i>0.500</i>	<i>0.313</i>			<i>0.313</i>
# WG2R32-2-100-08HP0794-BRZ	Gear with Hub	100 / 79.38	Right Hand	Double / Type G3	7.938	12.700	7.938	17.46 / No Set Screw	Commercial / Bronze	7.94
					<i>0.313</i>	<i>0.500</i>	<i>0.313</i>			<i>0.313</i>
# WM2R32-2-022HD05.56-CSHDP	Worm with Single Hub	- / 11.125	Right Hand	Double / Type W2	5.556	22.225	17.462	8.128 / No. 47 Hole	Commercial / Carbon Steel Hardened and Polished	4.762
					<i>0.219</i>	<i>0.875</i>	<i>0.687</i>			<i>0.187</i>
# WM2R32-2-022HD04.76-CS	Worm with Single Hub	- / 11.125	Right Hand	Double / Type W2	4.762	22.225	17.462	8.128 / No. 47 Hole	Commercial / Carbon Steel Unhardened	4.762
					<i>0.187</i>	<i>0.875</i>	<i>0.687</i>			<i>0.187</i>
# WM2R32-2-022HD05.56-CSHDG	Worm with Single Hub	- / 11.125	Right Hand	Double / Type W2	5.556	22.225	17.462	8.890 / No. 47 Hole	Commercial / Carbon Steel Hardened and Ground	4.762
					<i>0.219</i>	<i>0.875</i>	<i>0.687</i>			<i>0.187</i>

Indicates item not stocked at time of printing - Please enquire for lead time

E&OE Pricing and all details subject to change without notice - Copyright Miniature Bearings Australia Pty Ltd

MBA Size Listings are a guide to sizes only and must not be solely relied on for critical design information.

Worms and Worm Gears - 32 Pitch (Series 2) - Metallic

Part Number	Gear or Worm	Teeth / PCD (No. / mm)	Direction	Starts / Type	Bore (B) mm	Overall Width or Length (w) mm	Face Width (fw) mm	Hub Diameter (D) / Lock Method mm	Quality / Material	Hub Projection (p) mm
					<i>inches</i>	<i>inches</i>	<i>inches</i>	<i>inches</i>		<i>inches</i>
# WM2R32-2-022HD06.35-CSHDG	Worm with Single Hub	- / 11.125	Right Hand	Double / Type W2	6.350	22.225	17.462	8.890 / No. 47 Hole	Commercial / Carbon Steel Hardened and Ground	4.762
					<i>0.250</i>	<i>0.875</i>	<i>0.687</i>			<i>0.187</i>

Indicates item not stocked at time of printing - Please enquire for lead time

E&OE Pricing and all details subject to change without notice - Copyright Miniature Bearings Australia Pty Ltd

MBA Size Listings are a guide to sizes only and must not be solely relied on for critical design information.



DISTRIBUTED BY

Ask us to put your name and address here

<http://www.minibearings.com.au/product>

Ph +61 7 3245 7977

Fax +61 7 3245 1017

Catalogue requests to catalogues@minibearings.com.au
