



MBA

Worms and Worm Gears - Module 0.8 (Series 2) - Metallic

Worms and Gears must be chosen from the same pitch and series to match.

20 Degree Pressure Angle - 4.40 Degree Lead Angle - 1 Lead.

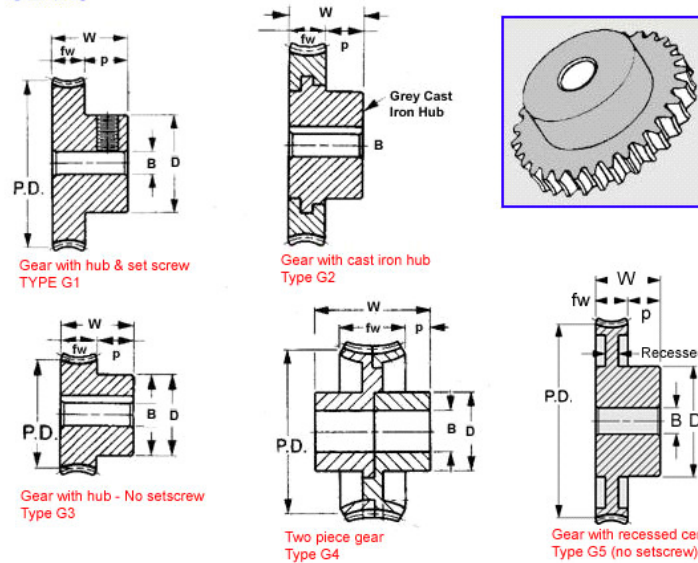
A single start worm and gear will provide a ratio equivalent to the number of teeth on the gear.

A double start worm and gear will provide a ratio of half the number of teeth on the gear.

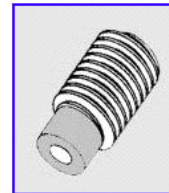
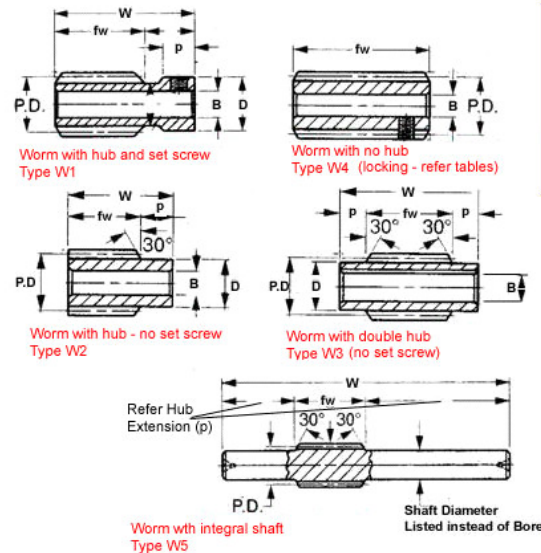
Worms are shown in the table following the gears. This may not be on the same page.

Worms and Gears in this category match each other if the thread direction is the same.

GEARS



WORMS



Indicates item not stocked at time of printing - Please enquire for lead time

E&OE Pricing and all details subject to change without notice - Copyright Miniature Bearings Australia Pty Ltd

MBA Size Listings are a guide to sizes only and must not be solely relied on for critical design information.

Worms and Worm Gears - Module 0.8 (Series 2) - Metallic

Part Number	Gear or Worm	Teeth / PCD (No. / mm)	Direction	Starts / Type	Bore (B) mm <i>inches</i>	Overall Width or Length (w) mm <i>inches</i>	Face Width (fw) mm <i>inches</i>	Hub Diameter (D) / Lock Method mm <i>inches</i>	Quality / Material	Hub Projection (p) mm <i>inches</i>
# WG2R0.8-2-020-08HP0500-ALB	Gear with Hub	20 / 16.00	Right Hand	Double / Type G3	5.000	16.000	8.000	12.00 / No Set Screw	ISO 8 / Aluminium Bronze	8 <i>0.315</i>
					<i>0.197</i>	<i>0.630</i>	<i>0.315</i>			<i>0.315</i>
# WG2R0.8-2-030-08HP0500-ALB	Gear with Hub	30 / 24.00	Right Hand	Double / Type G3	5.000	16.000	8.000	18.00 / No Set Screw	ISO 8 / Aluminium Bronze	8 <i>0.315</i>
					<i>0.197</i>	<i>0.630</i>	<i>0.315</i>			<i>0.315</i>
# WM2R0.8-2-085S08.00-ST	Worm with Integral Shaft	- / 12.000	Right Hand	Double / Type W5	8mm Shaft (25 / 40) Refer Notes.	85.000	20.000	8.000 / Integral Shaft	ISO 8 / Steel	25 / 40 Integral Shaft <i>3.346</i> <i>0.787</i>

Indicates item not stocked at time of printing - Please enquire for lead time

E&OE Pricing and all details subject to change without notice - Copyright Miniature Bearings Australia Pty Ltd

MBA Size Listings are a guide to sizes only and must not be solely relied on for critical design information.



DISTRIBUTED BY

Ask us to put your name and address here

<http://www.minibearings.com.au/product>

Ph +61 7 3245 7977

Fax +61 7 3245 1017

Catalogue requests to catalogues@minibearings.com.au

