



# MBA

## Worms and Worm Gears - Module 1 (Series 3) - Plastic and Metallic

Worms and Gears must be chosen from the same pitch and series to match.

20 Degree Pressure Angle - 7.18 Degree Lead Angle - 2 Lead.

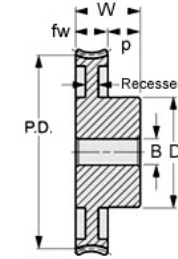
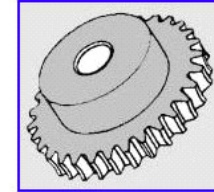
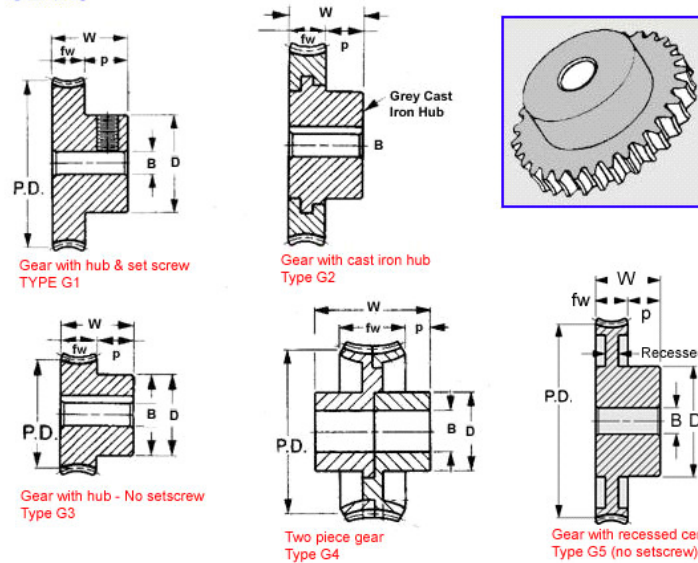
A single start worm and gear will provide a ratio equivalent to the number of teeth on the gear.

A double start worm and gear will provide a ratio of half the number of teeth on the gear.

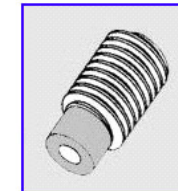
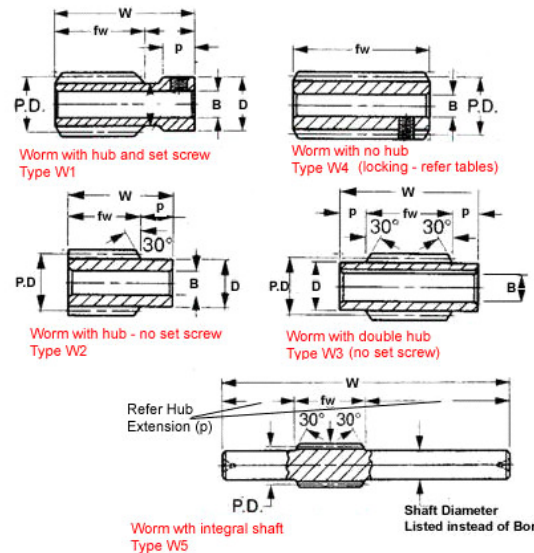
Worms are shown in the table following the gears. This may not be on the same page.

Worms and Gears in this category match each other if the thread direction is the same.

### GEARS



### WORMS



## Worms and Worm Gears - Module 1 (Series 3) - Plastic and Metallic

Part Number	Gear or Worm	Teeth / PCD (No. / mm)	Direction	Starts / Type	Bore (B) mm <i>inches</i>	Overall Width or Length (w) mm <i>inches</i>	Face Width (fw) mm <i>inches</i>	Hub Diameter (D) / Lock Method mm <i>inches</i>	Quality / Material	Hub Projection (p) mm <i>inches</i>
# WG2R1.0-3-020-10HP0600-NY	Gear with Hub	20 / 20.00	Right Hand	Double / Type G3	6.000 <i>0.236</i>	20.000 <i>0.787</i>	10.000 <i>0.394</i>	16.00 / No Set Screw	Commercial / Nylon	6 <i>0.236</i>
# WG2R1.0-3-020-10HP0600-ALB	Gear with Hub	20 / 20.00	Right Hand	Double / Type G3	6.000 <i>0.236</i>	20.000 <i>0.787</i>	10.000 <i>0.394</i>	16.00 / No Set Screw	ISO 8 / Aluminium Bronze	10 <i>0.394</i>
# WG2R1.0-3-020-08HS0600-ACI	Gear with Hub	20 / 20.00	Right Hand	Double / Type G1	6.000 <i>0.236</i>	17.000 <i>0.669</i>	8.000 <i>0.315</i>	16.00 / Set Screw	Commercial / Acetal with Insert	9 <i>0.354</i>
# WG2R1.0-3-020-10HK0800-ALB	Gear with Hub	20 / 20.00	Right Hand	Double / Type G3	8.000 <i>0.315</i>	18.000 <i>0.709</i>	10.000 <i>0.394</i>	30.00 / With Keyway	ISO 8 / Aluminium Bronze	8 <i>0.315</i>
# WG2R1.0-3-030-10HP0600-ALB	Gear with Hub	30 / 30.00	Right Hand	Double / Type G3	6.000 <i>0.236</i>	20.000 <i>0.787</i>	10.000 <i>0.394</i>	20.00 / No Set Screw	ISO 8 / Aluminium Bronze	10 <i>0.394</i>

# Indicates item not stocked at time of printing - Please enquire for lead time

E&OE Pricing and all details subject to change without notice - Copyright Miniature Bearings Australia Pty Ltd

MBA Size Listings are a guide to sizes only and must not be solely relied on for critical design information.

## Worms and Worm Gears - Module 1 (Series 3) - Plastic and Metallic

Part Number	Gear or Worm	Teeth / PCD (No. / mm)	Direction	Starts / Type	Bore (B) mm	Overall Width or Length (w) mm	Face Width (fw) mm	Hub Diameter (D) / Lock Method mm	Quality / Material	Hub Projection (p) mm
					<i>inches</i>	<i>inches</i>	<i>inches</i>	<i>inches</i>		<i>inches</i>
# WG2R1.0-3-030-10HK1000-ALB	Gear with Hub	30 / 30.00	Right Hand	Double / Type G3	10.000	18.000	10.000	17.00 / With Keyway	ISO 8 / Aluminium Bronze	8
					<i>0.394</i>	<i>0.709</i>	<i>0.394</i>			<i>0.315</i>
# WM2R1.0-3-032NS06.00-ST	Worm with No Hub	- / 16.000	Right Hand	Double / Type W4	6.000	32.000	32.000	No Hub / Set Screw	Commercial / Steel	None
					<i>0.236</i>	<i>1.260</i>	<i>1.260</i>			
# WM2L1.0-3-100S13.0-ST	Worm with Integral Shaft - Left Hand	- / 16.000	Left Hand	Double / Type W5	13mm Shaft (25 / 50) Refer Notes.	100.000	25.000	13.000 / Integral Shaft	Commercial / Steel	25 / 50 Integral Shaft
						<i>3.937</i>	<i>0.984</i>			
# WM2R1.0-3-100S13.0-ST	Worm with Integral Shaft	- / 16.000	Right Hand	Double / Type W5	13mm Shaft (25 / 50) Refer Notes.	100.000	25.000	13.000 / Integral Shaft	Commercial / Steel	25 / 50 Integral Shaft
						<i>3.937</i>	<i>0.984</i>			
# WM2R1.0-3-140S18.00-ST	Worm with Integral Shaft	- / 16.000	Right Hand	Double / Type W5	18mm Shaft (35 / 55). Has 13mm Shaft for 10mm each side of worm.	140.000	30.000	8.000 / Integral Shaft	ISO 8 / Steel	35 / 55 Integral Shaft
						<i>5.512</i>	<i>1.181</i>			
# WM2L1.0-3-025NPK08.00-ST	Worm with No Hub - Left Hand	- / 16.000	Left Hand	Double / Type W4	8.000	25.000	25.000	No Hub / No Set Screw	Commercial / Steel	None
					<i>0.315</i>	<i>0.984</i>	<i>0.984</i>			
# WM2R1.0-3-025NPK08.00-ST	Worm with No Hub	- / 16.000	Right Hand	Double / Type W4	8.000	25.000	25.000	No Hub / No Set Screw	Commercial / Steel	None
					<i>0.315</i>	<i>0.984</i>	<i>0.984</i>			

# Indicates item not stocked at time of printing - Please enquire for lead time

E&OE Pricing and all details subject to change without notice - Copyright Miniature Bearings Australia Pty Ltd

MBA Size Listings are a guide to sizes only and must not be solely relied on for critical design information.

## Worms and Worm Gears - Module 1 (Series 3) - Plastic and Metallic

Part Number	Gear or Worm	Teeth / PCD (No. / mm)	Direction	Starts / Type	Bore (B) mm	Overall Width or Length (w) mm	Face Width (fw) mm	Hub Diameter (D) / Lock Method mm	Quality / Material	Hub Projection (p) mm
					<i>inches</i>	<i>inches</i>	<i>inches</i>	<i>inches</i>		<i>inches</i>
# WM2L1.0-3-032HS06.00-ST	Worm with Single Hub - Left Hand	- / 16.000	Left Hand	Double / Type W1	6.000	32.000	22.000	15.700 / Set Screw	Commercial / Steel	10.000 (6.4mm Usable)
					<i>0.236</i>	<i>1.260</i>	<i>0.866</i>			
# WM2R1.0-3-032HS06.00-ST	Worm with Single Hub	- / 16.000	Right Hand	Double / Type W1	6.000	32.000	22.000	15.700 / Set Screw	Commercial / Steel	10.000 (6.4mm Usable)
					<i>0.236</i>	<i>1.260</i>	<i>0.866</i>			

# Indicates item not stocked at time of printing - Please enquire for lead time

E&OE Pricing and all details subject to change without notice - Copyright Miniature Bearings Australia Pty Ltd

MBA Size Listings are a guide to sizes only and must not be solely relied on for critical design information.



DISTRIBUTED BY

Ask us to put your name and address here

<http://www.minibearings.com.au/product>

Ph +61 7 3245 7977

Fax +61 7 3245 1017

Catalogue requests to [catalogues@minibearings.com.au](mailto:catalogues@minibearings.com.au)
