



# MBA

## Worms and Worm Gears - Module 2 (Series 1) - Plastic

Worms and Gears must be chosen from the same pitch and series to match.

14.5 Degree Pressure Angle - 3.70 Degree Lead Angle - 1 Lead.

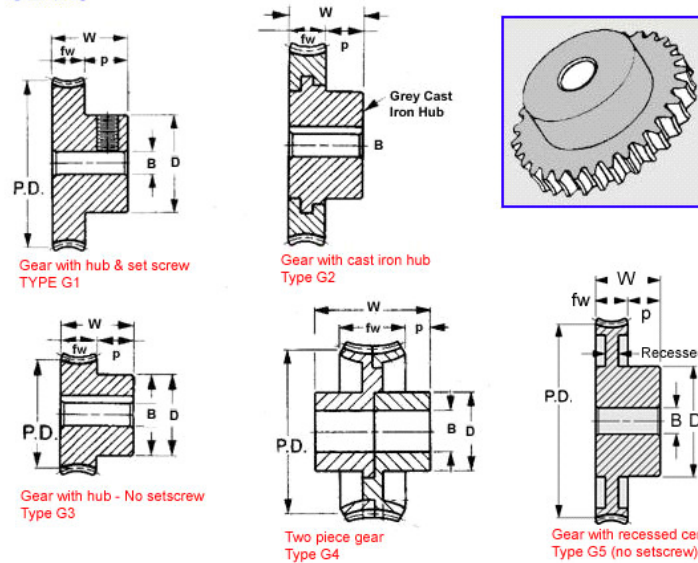
A single start worm and gear will provide a ratio equivalent to the number of teeth on the gear.

A double start worm and gear will provide a ratio of half the number of teeth on the gear.

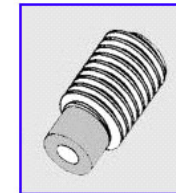
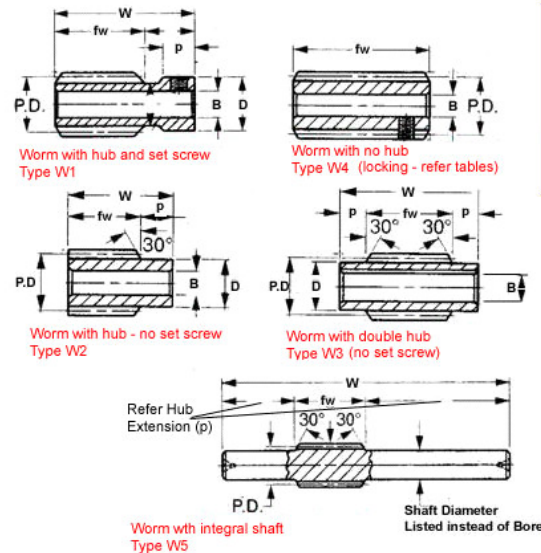
Worms are shown in the table following the gears. This may not be on the same page.

Worms and Gears in this category match each other if the thread direction is the same.

### GEARS



### WORMS



# Indicates item not stocked at time of printing - Please enquire for lead time

E&OE Pricing and all details subject to change without notice - Copyright Miniature Bearings Australia Pty Ltd

MBA Size Listings are a guide to sizes only and must not be solely relied on for critical design information.

## Worms and Worm Gears - Module 2 (Series 1) - Plastic

Part Number	Gear or Worm	Teeth / PCD (No. / mm)	Direction	Starts / Type	Bore (B) mm	Overall Width or Length (w) mm	Face Width (fw) mm	Hub Diameter (D) / Lock Method mm	Quality / Material	Hub Projection (p) mm
					<i>inches</i>	<i>inches</i>	<i>inches</i>	<i>inches</i>		<i>inches</i>
# WG1R2.0-1-020-22HP1000-NY	Gear with Hub	20 / 40.00	Right Hand	Single / Type G3	10.000	35.000	22.000	33.00 / No Set Screw	Commercial / Nylon	13
					<i>0.394</i>	<i>1.378</i>	<i>0.866</i>			<i>0.512</i>

# Indicates item not stocked at time of printing - Please enquire for lead time

E&OE Pricing and all details subject to change without notice - Copyright Miniature Bearings Australia Pty Ltd

MBA Size Listings are a guide to sizes only and must not be solely relied on for critical design information.



DISTRIBUTED BY

Ask us to put your name and address here

<http://www.minibearings.com.au/product>

Ph +61 7 3245 7977

Fax +61 7 3245 1017

Catalogue requests to [catalogues@minibearings.com.au](mailto:catalogues@minibearings.com.au)
