



MBA

Worms and Worm Gears - Module 2 (Series 3) - Plastic and Metallic

Worms and Gears must be chosen from the same pitch and series to match.

20 Degree Pressure Angle - 3.70 Degree Lead Angle - 1 Lead.

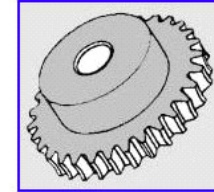
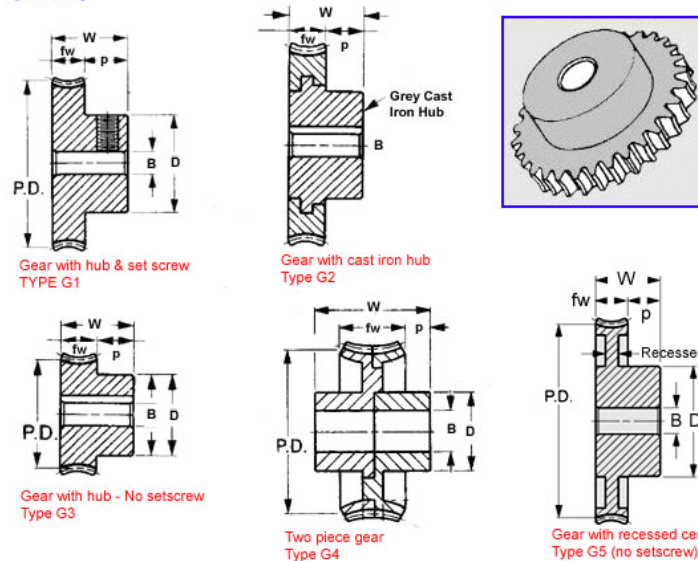
A single start worm and gear will provide a ratio equivalent to the number of teeth on the gear.

A double start worm and gear will provide a ratio of half the number of teeth on the gear.

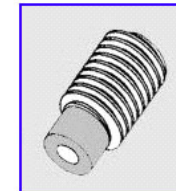
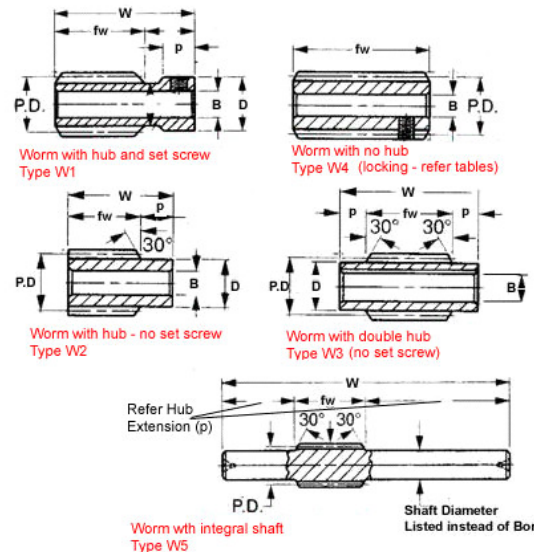
Worms are shown in the table following the gears. This may not be on the same page.

Worms and Gears in this category match each other if the thread direction is the same.

GEARS



WORMS



Indicates item not stocked at time of printing - Please enquire for lead time

E&OE Pricing and all details subject to change without notice - Copyright Miniature Bearings Australia Pty Ltd

MBA Size Listings are a guide to sizes only and must not be solely relied on for critical design information.

Worms and Worm Gears - Module 2 (Series 3) - Plastic and Metallic

Part Number	Gear or Worm	Teeth / PCD (No. / mm)	Direction	Starts / Type	Bore (B) mm <i>inches</i>	Overall Width or Length (w) mm <i>inches</i>	Face Width (fw) mm <i>inches</i>	Hub Diameter (D) / Lock Method mm <i>inches</i>	Quality / Material	Hub Projection (p) mm <i>inches</i>
# WG1L2.0-3-020-20HP1000-ALB	Gear with Hub - Left Hand	20 / 40.00	Left Hand	Single / Type G3	10.000 <i>0.394</i>	35.000 <i>1.378</i>	20.000 <i>0.787</i>	32.00 / No Set Screw	ISO 8 / Aluminium Bronze	15 <i>0.591</i>
# WG1R2.0-3-020-20HP1000-ALB	Gear with Hub	20 / 40.00	Right Hand	Single / Type G3	10.000 <i>0.394</i>	35.000 <i>1.378</i>	20.000 <i>0.787</i>	32.00 / No Set Screw	ISO 8 / Aluminium Bronze	15 <i>0.591</i>
# WG1R2.0-3-020-16HP1000-CI	Gear with Hub	20 / 40.00	Right Hand	Single / Type G3	10.000 <i>0.394</i>	30.000 <i>1.181</i>	16.000 <i>0.630</i>	30.00 / No Set Screw	Commercial / Cast Iron	14 <i>0.551</i>
# WG1R2.0-3-020-20HK1600-ALB	Gear with Hub	20 / 40.00	Right Hand	Single / Type G2	16.000 <i>0.630</i>	35.000 <i>1.378</i>	20.000 <i>0.787</i>	32.00 / No Set Screw	ISO 8 / Aluminium Bronze	15 <i>0.591</i>
# WG1L2.0-3-025-20HP1200-ALB	Gear with Hub - Left Hand	25 / 50.00	Left Hand	Single / Type G3	12.000 <i>0.472</i>	35.000 <i>1.378</i>	20.000 <i>0.787</i>	38.00 / No Set Screw	ISO 8 / Aluminium Bronze	15 <i>0.591</i>

Indicates item not stocked at time of printing - Please enquire for lead time

E&OE Pricing and all details subject to change without notice - Copyright Miniature Bearings Australia Pty Ltd

MBA Size Listings are a guide to sizes only and must not be solely relied on for critical design information.

Worms and Worm Gears - Module 2 (Series 3) - Plastic and Metallic

Part Number	Gear or Worm	Teeth / PCD (No. / mm)	Direction	Starts / Type	Bore (B) mm	Overall Width or Length (w) mm	Face Width (fw) mm	Hub Diameter (D) / Lock Method mm	Quality / Material	Hub Projection (p) mm
					<i>inches</i>	<i>inches</i>	<i>inches</i>	<i>inches</i>		<i>inches</i>
# WG1R2.0-3-025-18HP1200-CI	Gear with Hub	25 / 50.00	Right Hand	Single / Type G3	12.000	33.000	18.000	38.00 / No Set Screw	Commercial / Cast Iron	15
					<i>0.472</i>	<i>1.299</i>	<i>0.709</i>			<i>0.591</i>
# WG1R2.0-3-025-20HK1600-ALB	Gear with Hub	25 / 50.00	Right Hand	Single / Type G3	16.000	35.000	20.000	38.00 / No Set Screw	ISO 8 / Aluminium Bronze	15
					<i>0.630</i>	<i>1.378</i>	<i>0.787</i>			<i>0.591</i>
# WG1R2.0-3-025-20HP1200-ALB	Gear with Hub	25 / 50.00	Right Hand	Single / Type G3	12.000	35.000	20.000	38.00 / No Set Screw	ISO 8 / Aluminium Bronze	15
					<i>0.472</i>	<i>1.378</i>	<i>0.787</i>			<i>0.591</i>
# WG1L2.0-3-030-20HP1200-ALB	Gear with Hub - Left Hand	30 / 60.00	Left Hand	Single / Type G3	12.000	35.000	20.000	40.00 / No Set Screw	ISO 8 / Aluminium Bronze	15
					<i>0.472</i>	<i>1.378</i>	<i>0.787</i>			<i>0.591</i>
# WG1L2.0-3-030-18HP1200-CI	Gear with Hub - Left Hand	30 / 60.00	Left Hand	Single / Type G3	12.000	33.000	18.000	40.00 / No Set Screw	Commercial / Cast Iron	15
					<i>0.472</i>	<i>1.299</i>	<i>0.709</i>			<i>0.591</i>
# WG1R2.0-3-030-20HK1800-ALB	Gear with Hub	30 / 60.00	Right Hand	Single / Type G3	18.000	35.000	20.000	40.00 / No Set Screw	ISO 8 / Aluminium Bronze	15
					<i>0.709</i>	<i>1.378</i>	<i>0.787</i>			<i>0.591</i>
# WG1R2.0-3-030-20HP1200-ALB	Gear with Hub	30 / 60.00	Right Hand	Single / Type G3	12.000	35.000	20.000	40.00 / No Set Screw	ISO 8 / Aluminium Bronze	15
					<i>0.472</i>	<i>1.378</i>	<i>0.787</i>			<i>0.591</i>

Indicates item not stocked at time of printing - Please enquire for lead time

E&OE Pricing and all details subject to change without notice - Copyright Miniature Bearings Australia Pty Ltd

MBA Size Listings are a guide to sizes only and must not be solely relied on for critical design information.

Worms and Worm Gears - Module 2 (Series 3) - Plastic and Metallic

Part Number	Gear or Worm	Teeth / PCD (No. / mm)	Direction	Starts / Type	Bore (B) mm	Overall Width or Length (w) mm	Face Width (fw) mm	Hub Diameter (D) / Lock Method mm	Quality / Material	Hub Projection (p) mm
					<i>inches</i>	<i>inches</i>	<i>inches</i>	<i>inches</i>		<i>inches</i>
# WG1R2.0-3-030-18HP1200-CI	Gear with Hub	30 / 60.00	Right Hand	Single / Type G3	12.000	33.000	18.000	40.00 / No Set Screw	Commercial / Cast Iron	15
					<i>0.472</i>	<i>1.299</i>	<i>0.709</i>			<i>0.591</i>
# WG1L2.0-3-040-20HP1400-ALB	Gear with Hub - Left Hand	40 / 80.00	Left Hand	Single / Type G2	14.000	38.000	20.000	45.00 / No Set Screw	ISO 8 / Aluminium Bronze with Grey Cast Iron Core	18
					<i>0.551</i>	<i>1.496</i>	<i>0.787</i>			<i>0.709</i>
# WG1R2.0-3-040-20HP1400-ALB	Gear with Hub	40 / 80.00	Right Hand	Single / Type G2	14.000	38.000	20.000	45.00 / No Set Screw	ISO 8 / Aluminium Bronze with Grey Cast Iron Core	18
					<i>0.551</i>	<i>1.496</i>	<i>0.787</i>			<i>0.709</i>
# WG1R2.0-3-040-20HK2000-ALB	Gear with Hub	40 / 80.00	Right Hand	Single / Type G2	20.000	38.000	20.000	45.00 / No Set Screw	ISO 8 / Aluminium Bronze with Grey Cast Iron Core	18
					<i>0.787</i>	<i>1.496</i>	<i>0.787</i>			<i>0.709</i>
# WG1R2.0-3-040-20HP1400-CI	Gear with Hub	40 / 80.00	Right Hand	Single / Type G5	14.000	38.000	20.000	45.00 / No Set Screw	Commercial / Cast Iron	18
					<i>0.551</i>	<i>1.496</i>	<i>0.787</i>			<i>0.709</i>
# WG1L2.0-3-050-20HP1400-ALB	Gear with Hub - Left Hand	50 / 100.00	Left Hand	Single / Type G2	14.000	38.000	20.000	50.00 / No Set Screw	ISO 8 / Aluminium Bronze with Grey Cast Iron Core	18
					<i>0.551</i>	<i>1.496</i>	<i>0.787</i>			<i>0.709</i>

Indicates item not stocked at time of printing - Please enquire for lead time

E&OE Pricing and all details subject to change without notice - Copyright Miniature Bearings Australia Pty Ltd

MBA Size Listings are a guide to sizes only and must not be solely relied on for critical design information.

Worms and Worm Gears - Module 2 (Series 3) - Plastic and Metallic

Part Number	Gear or Worm	Teeth / PCD (No. / mm)	Direction	Starts / Type	Bore (B) mm	Overall Width or Length (w) mm	Face Width (fw) mm	Hub Diameter (D) / Lock Method mm	Quality / Material	Hub Projection (p) mm
					<i>inches</i>	<i>inches</i>	<i>inches</i>	<i>inches</i>		<i>inches</i>
# WG1R2.0-3-050-20HP1400-CI	Gear with Hub	50 / 100.00	Right Hand	Single / Type G5	14.000	38.000	20.000	50.00 / No Set Screw	Commercial / Cast Iron	18
					<i>0.551</i>	<i>1.496</i>	<i>0.787</i>			<i>0.709</i>
# WG1R2.0-3-050-20HK2200-ALB	Gear with Hub	50 / 100.00	Right Hand	Single / Type G2	22.000	38.000	20.000	50.00 / No Set Screw	ISO 8 / Aluminium Bronze with Grey Cast Iron Core	18
					<i>0.866</i>	<i>1.496</i>	<i>0.787</i>			<i>0.709</i>
# WG1R2.0-3-050-20HP1400-ALB	Gear with Hub	50 / 100.00	Right Hand	Single / Type G2	14.000	38.000	20.000	50.00 / No Set Screw	ISO 8 / Aluminium Bronze with Grey Cast Iron Core	18
					<i>0.551</i>	<i>1.496</i>	<i>0.787</i>			<i>0.709</i>
# WG1R2.0-3-060-20HP1400-CI	Gear with Hub	60 / 120.00	Right Hand	Single / Type G5	14.000	38.000	20.000	50.00 / No Set Screw	Commercial / Cast Iron	18
					<i>0.551</i>	<i>1.496</i>	<i>0.787</i>			<i>0.709</i>
# WG1R2.0-3-080-20HP1900-CI	Gear with Hub	80 / 160.00	Right Hand	Single / Type G5	19.000	35.000	20.000	54.00 / No Set Screw	Commercial / Cast Iron	15
					<i>0.748</i>	<i>1.378</i>	<i>0.787</i>			<i>0.591</i>
# WG1R2.0-3-100-20HP1900-CI	Gear with Hub	100 / 200.00	Right Hand	Single / Type G5	19.000	35.000	20.000	55.00 / No Set Screw	Commercial / Cast Iron	15
					<i>0.748</i>	<i>1.378</i>	<i>0.787</i>			<i>0.591</i>
# WM1L2.0-3-065DSK14.00-ST	Worm with Double Hub - Left Hand	- / 31.000	Left Hand	Single / Type W3	14.000	65.000	41.000	25.000 / No No Set Screw / Keyway 5X2.3	ISO 8 / Steel	12 / 12
					<i>0.551</i>	<i>2.559</i>	<i>1.614</i>			

Indicates item not stocked at time of printing - Please enquire for lead time

E&OE Pricing and all details subject to change without notice - Copyright Miniature Bearings Australia Pty Ltd

MBA Size Listings are a guide to sizes only and must not be solely relied on for critical design information.

Worms and Worm Gears - Module 2 (Series 3) - Plastic and Metallic

Part Number	Gear or Worm	Teeth / PCD (No. / mm)	Direction	Starts / Type	Bore (B) mm	Overall Width or Length (w) mm	Face Width (fw) mm	Hub Diameter (D) / Lock Method mm	Quality / Material	Hub Projection (p) mm
					<i>inches</i>	<i>inches</i>	<i>inches</i>	<i>inches</i>		<i>inches</i>
# WM1R2.0-3-065DSK14.00-ST	Worm with Double Hub	- / 31.000	Right Hand	Single / Type W3	14.000	65.000	41.000	25.000 / No Set Screw / Keyway 5X2.3	ISO 8 / Steel	12 / 12
					<i>0.551</i>	<i>2.559</i>	<i>1.614</i>			
# WM1L2.0-3-050HP12.0-ST	Worm with Single Hub - Left Hand	- / 31.000	Left Hand	Single / Type W2	12.000	50.000	35.000	25.000 / No Locking	ISO 8 / Steel	15.000
					<i>0.472</i>	<i>1.969</i>	<i>1.378</i>			<i>0.591</i>
# WM1R2.0-3-050HP12.0-ST	Worm with Single Hub	- / 31.000	Right Hand	Single / Type W2	12.000	50.000	35.000	25.000 / No Locking	ISO 8 / Steel	15.000
					<i>0.472</i>	<i>1.969</i>	<i>1.378</i>			<i>0.591</i>

Indicates item not stocked at time of printing - Please enquire for lead time

E&OE Pricing and all details subject to change without notice - Copyright Miniature Bearings Australia Pty Ltd

MBA Size Listings are a guide to sizes only and must not be solely relied on for critical design information.



DISTRIBUTED BY

Ask us to put your name and address here

<http://www.minibearings.com.au/product>

Ph +61 7 3245 7977

Fax +61 7 3245 1017

Catalogue requests to catalogues@minibearings.com.au

