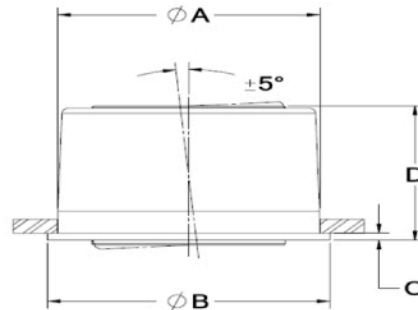




PRESS-FIT, SELF-ALIGNING BRONZE BEARINGS



Spyraflo's Press-Fit retainers allow non-metallic assemblies and housings to benefit from $\pm 5^\circ$ self-aligning. Steel side frame applications requiring serviceability are also ideally suited for the press-fit retainer.

SAE-840 Oil Impregnated Bronze Bearings are an economic solution for medium load / medium speed applications, 25% oil volume within the porous structure of the spherical insert ensures long bearing life

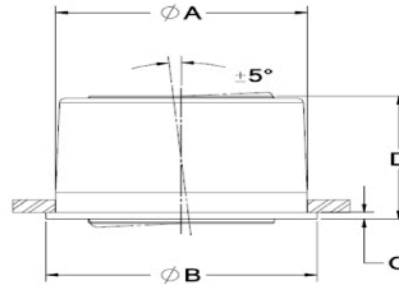
- Electrically conductive.
- Maintenance free.
- Suitable for rotational and oscillatory motion.
- The steel retainer absorbs the installation forces with zero effect on the bearing ID.

Refer to the Installation section on www.spyraflo.com for installation instructions.

Part Number	ID Actual Min. Max.	Max. Load lbf/N	Max. Speed r.p.m.	Mounting Hole A	B	C	D	Weight oz/g
PSB-125	0.1255 - 0.1260	70	30,550	0.344	0.41	0.03	0.27	0.07
PSB-187	0.1883 - 0.1888	190	20,310	0.500	0.56	0.03	0.38	0.19
PSB-250	0.2508 - 0.2513	360	15,270	0.500	0.56	0.03	0.38	0.22
PSB-312	0.3133 - 0.3140	430	12,240	0.625	0.69	0.03	0.43	0.27
PSB-375	0.3758 - 0.3765	430	10,180	0.625	0.69	0.03	0.43	0.32
PSB-500	0.5010 - 0.5017	600	7,640	0.812	0.88	0.03	0.60	0.60
PSB-625	0.6260 - 0.6270	1,650	6,110	1.063	1.13	0.03	0.77	1.40
PSB-750	0.7510" - 0.7520"	2,000	1,150	1.250	1.31	0.03	0.85	2.10
PSB-4M	4.010 - 4.030	800	24,170	12.70	14.2	0.75	9.6	6
PSB-6M	6.020 - 6.040	1,530	16,110	12.70	14.2	0.75	9.6	5
PSB-8M	8.020 - 8.040	1,850	12,120	15.90	17.4	0.75	10.8	9
PSB-10M	10.020 - 10.040	1,850	9,700	15.90	17.4	0.75	10.8	8
PSB-12M	12.030 - 12.050	2,550	8,060	20.60	22.2	0.75	15.2	19
PSB-15M	15.030 - 15.050	7,000	6,460	27.00	28.5	0.75	19.6	41
PSB-16M	16.030 - 16.050	7,000	5,500	27.00	28.5	0.75	19.6	41



PRESS-FIT, SELF-ALIGNING DELRIN BEARINGS



Spyraflo's Press-Fit retainers allow non-metallic assemblies and housings to benefit from $\pm 5^\circ$ self-aligning. Steel side frame applications requiring serviceability are also ideally suited for the press-fit retainer.

Delrin® acetyl bearings are an economic solution for light load / low speed rotary and linear applications.

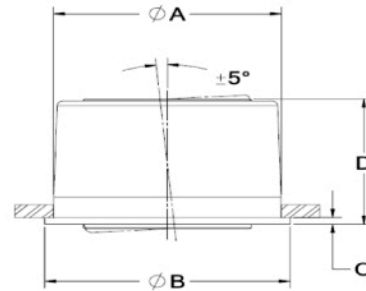
- Maintenance free.
- Suitable for rotational, linear and oscillatory motion.
- The steel retainer absorbs the installation forces with zero effect on the bearing ID.
- Also available in Delrin®-AF for higher speed applications.

Refer to the Installation section on www.spyraflo.com for installation instructions.

Part Number	ID Actual Min. Max.	Max. Load lbf/N	Max. Speed r.p.m.	Mounting Hole A	B	C	D	Weight oz/g
PSD-125	0.1260 - 0.1280	33	3,006	0.34	0.41	0.03	0.27	0.10
PSD-187	0.1885 - 0.1905	68	2,010	0.50	0.56	0.03	0.38	0.20
PSD-250	0.2510 - 0.2530	91	1,503	0.50	0.56	0.03	0.38	0.10
PSD-312	0.3135 - 0.3155	129	1,205	0.63	0.69	0.03	0.43	0.20
PSD-375	0.3760 - 0.3780	155	1,002	0.63	0.69	0.03	0.43	0.20
PSD-500	0.5010 - 0.5040	308	752	0.81	0.88	0.03	0.60	0.30
PSD-625	0.6260 - 0.6280	436	601	1.06	1.12	0.03	0.77	0.80
PSD-4M	4.020 - 4.070	255	2,386	12.70	14.2	0.75	9.6	3
PSD-6M	6.020 - 6.070	383	1,591	12.70	14.2	0.75	9.6	6
PSD-8M	8.030 - 8.080	580	1,193	15.90	17.4	0.75	10.8	5
PSD-10M	10.030 - 10.080	725	955	15.90	17.4	0.75	10.8	4
PSD-12M	12.030 - 12.080	1,295	795	20.60	22.2	0.75	14.9	9
PSD-15M	15.030 - 15.080	1,831	636	27.00	28.5	0.75	19.6	23
PSD-16M	16.030 - 16.080	1,953	597	27.00	28.5	0.75	19.6	23



PRESS-FIT, SELF-ALIGNING NEEDLE ROLLER BEARINGS



Spyraflo's Press-Fit retainers allow non-metallic assemblies and housings to benefit from $\pm 5^\circ$ self-aligning. Steel side frame applications requiring serviceability are also ideally suited for the press-fit retainer. Needle-Roller Bearings are an economic solution for medium load / high speed applications.

- Requires a hardened shaft.
- Suitable for rotational motion.
- Pre-Lubricated.
- The steel retainer absorbs the installation forces with zero effect on the bearing ID.

Refer to the Installation section on www.spyraflo.com for installation instructions.

Part Number	Shaft Dia. Min. Max.	Max. Load lbf/N	Max. Speed r.p.m.	Mounting Hole A	B	C	D	Weight oz/g
PSN-125	0.1247 - 0.1250	360	31,500	0.500	0.56	0.03	0.37	0.20
PSN-187	0.1872 - 0.1875	430	21,000	0.625	0.69	0.03	0.43	0.40
PSN-250	0.2495 - 0.2500	430	44,000	0.625	0.69	0.03	0.43	0.83
PSN-312	0.3120 - 0.3125	600	35,500	0.812	0.88	0.03	0.60	0.74
PSN-375	0.3745 - 0.3750	600	29,500	0.812	0.88	0.03	0.60	0.64
PSN-500	0.4995 - 0.5000	950	22,000	1.063	1.13	0.03	0.77	1.48
PSN-625	0.6245 - 0.6250	1,830	17,600	1.250	1.31	0.03	0.85	2.38
PSN-4M	3.992 - 4.000	1,780	41,000	15.90	17.4	0.75	10.8	11
PSN-6M	5.992 - 6.000	1,830	35,000	15.90	17.4	0.75	10.8	10
PSN-8M	7.991 - 8.000	1,830	28,000	20.60	22.2	0.75	15.2	22
PSN-10M	9.991 - 10.000	2,550	23,000	20.60	22.2	0.75	15.2	20
PSN-12M	11.989 - 12.000	2,550	20,000	27.00	28.5	0.75	19.6	44
PSN-15M	14.989 - 15.000	7,800	16,000	31.80	33.3	0.75	21.6	66
PSN-16M	15.989 - 16.000	7,800	16,000	31.80	33.3	0.75	21.6	66