



# Bushes - Stainless Steel and PTFE - Unflanged

6/4/2018

# Indicates item not stocked at time of printing - Please enquire for lead time

E&OE Pricing and all details subject to change without notice - Copyright Miniature Bearings Australia Pty Ltd

MBA Size Listings are a guide to sizes only and must not be solely relied on for critical design information.

Page 1 of 52

## INFORMATION

Oil, acid, alkali and salt water resistant. Contains no lead. Particularly suited to food applications, flow meters and pumps in pharmaceutical applications, printing machines chemical engineering and seawater applications.

Operating Temperature -200<sup>o</sup> to 280<sup>o</sup> Celsius

PTFE with oilfibre 0.01 to around 0.03mm

Porous bronze 0.2 to around 0.3mm

Stainless steel backing 0.7 to around 2.3mm

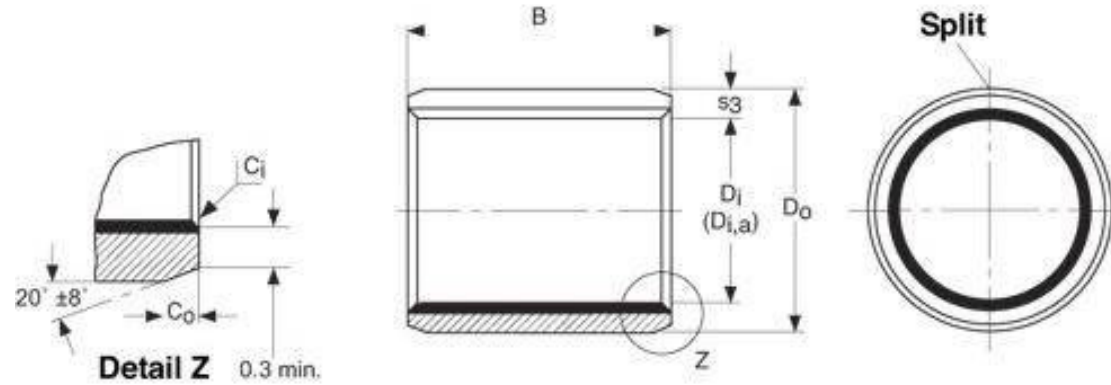
140 N/mm<sup>2</sup> dynamic load rating. 250 N/mm<sup>2</sup> static. 60 N/mm<sup>2</sup> Oscillating.

This catalogue to be read in conjunction with information at [http://www.minibearings.com.au/Limit in oil 4.5 metres per second](http://www.minibearings.com.au/Limit%20in%20oil%204.5%20metres%20per%20second)

# Indicates item not stocked at time of printing - Please enquire for lead time

E&OE Pricing and all details subject to change without notice - Copyright Miniature Bearings Australia Pty Ltd

MBA Size Listings are a guide to sizes only and must not be solely relied on for critical design information.



# Indicates item not stocked at time of printing - Please enquire for lead time

E&OE Pricing and all details subject to change without notice - Copyright Miniature Bearings Australia Pty Ltd

MBA Size Listings are a guide to sizes only and must not be solely relied on for critical design information.

## Bushes - Stainless Steel and PTFE - Unflanged

Part Number	Nominal ID (Di) mm <i>inches</i>	Nominal Outside Diameter (Do) mm <i>inches</i>	Length (B) mm <i>inches</i>
# BP0032-0048-0032-S6	3.175 <i>0.125</i>	4.763 <i>0.188</i>	3.175 <i>0.125</i>
# BP0032-0048-0048-S6	3.175 <i>0.125</i>	4.763 <i>0.188</i>	4.763 <i>0.188</i>
# BP0039-0056-0040-S6	3.937 <i>0.155</i>	5.556 <i>0.219</i>	3.969 <i>0.156</i>
# BP0039-0056-0064-S6	3.937 <i>0.155</i>	5.556 <i>0.219</i>	6.350 <i>0.250</i>
# BP0048-0064-0048-S6	4.763 <i>0.188</i>	6.350 <i>0.250</i>	4.763 <i>0.188</i>
# BP0048-0064-0064-S6	4.763 <i>0.188</i>	6.350 <i>0.250</i>	6.350 <i>0.250</i>
# BP0048-0064-0095-S6	4.763 <i>0.188</i>	6.350 <i>0.250</i>	9.525 <i>0.375</i>
# BP0060-0080-0060-S6	6.000 <i>0.236</i>	8.000 <i>0.315</i>	6.000 <i>0.236</i>
# BP0060-0080-0080-S6	6.000 <i>0.236</i>	8.000 <i>0.315</i>	8.000 <i>0.315</i>
BP0060-0080-0100-S6	6.000 <i>0.236</i>	8.000 <i>0.315</i>	10.000 <i>0.394</i>

# Indicates item not stocked at time of printing - Please enquire for lead time

E&OE Pricing and all details subject to change without notice - Copyright Miniature Bearings Australia Pty Ltd

MBA Size Listings are a guide to sizes only and must not be solely relied on for critical design information.

## Bushes - Stainless Steel and PTFE - Unflanged

Part Number	Nominal ID (Di) mm	Nominal Outside Diameter (Do) mm	Length (B) mm
	<i>inches</i>	<i>inches</i>	<i>inches</i>
# BP0064-0079-0064-S6	6.350 <i>0.250</i>	7.925 <i>0.312</i>	6.350 <i>0.250</i>
# BP0064-0079-0095-S6	6.350 <i>0.250</i>	7.925 <i>0.312</i>	9.525 <i>0.375</i>
# BP0079-0095-0095-S6	7.938 <i>0.313</i>	9.525 <i>0.375</i>	9.525 <i>0.375</i>
# BP0079-0095-0127-S6	7.938 <i>0.313</i>	9.525 <i>0.375</i>	12.700 <i>0.500</i>
# BP0080-0100-0060-S6	8.000 <i>0.315</i>	10.000 <i>0.394</i>	6.000 <i>0.236</i>
# BP0080-0100-0080-S6	8.000 <i>0.315</i>	10.000 <i>0.394</i>	8.000 <i>0.315</i>
# BP0080-0100-0100-S6	8.000 <i>0.315</i>	10.000 <i>0.394</i>	10.000 <i>0.394</i>
# BP0080-0100-0120-S6	8.000 <i>0.315</i>	10.000 <i>0.394</i>	12.000 <i>0.472</i>
# BP0080-0100-0150-S6	8.000 <i>0.315</i>	10.000 <i>0.394</i>	15.000 <i>0.591</i>
# BP0095-0119-0048-S6	9.525 <i>0.375</i>	11.906 <i>0.469</i>	4.763 <i>0.188</i>

# Indicates item not stocked at time of printing - Please enquire for lead time

E&OE Pricing and all details subject to change without notice - Copyright Miniature Bearings Australia Pty Ltd  
MBA Size Listings are a guide to sizes only and must not be solely relied on for critical design information.

## Bushes - Stainless Steel and PTFE - Unflanged

Part Number	Nominal ID (Di) mm <i>inches</i>	Nominal Outside Diameter (Do) mm <i>inches</i>	Length (B) mm <i>inches</i>
# BP0095-0119-0064-S6	9.525 <i>0.375</i>	11.906 <i>0.469</i>	6.350 <i>0.250</i>
# BP0095-0119-0095-S6	9.525 <i>0.375</i>	11.906 <i>0.469</i>	9.525 <i>0.375</i>
# BP0095-0119-0127-S6	9.525 <i>0.375</i>	11.906 <i>0.469</i>	12.700 <i>0.500</i>
# BP0095-0119-0191-S6	9.525 <i>0.375</i>	11.906 <i>0.469</i>	19.050 <i>0.750</i>
# BP0100-0120-0060-S6	10.000 <i>0.394</i>	12.000 <i>0.472</i>	6.000 <i>0.236</i>
# BP0100-0120-0080-S6	10.000 <i>0.394</i>	12.000 <i>0.472</i>	8.000 <i>0.315</i>
# BP0100-0120-0100-S6	10.000 <i>0.394</i>	12.000 <i>0.472</i>	10.000 <i>0.394</i>
# BP0100-0120-0120-S6	10.000 <i>0.394</i>	12.000 <i>0.472</i>	12.000 <i>0.472</i>
# BP0100-0120-0150-S6	10.000 <i>0.394</i>	12.000 <i>0.472</i>	15.000 <i>0.591</i>
# BP0100-0120-0200-S6	10.000 <i>0.394</i>	12.000 <i>0.472</i>	20.000 <i>0.787</i>

# Indicates item not stocked at time of printing - Please enquire for lead time

E&OE Pricing and all details subject to change without notice - Copyright Miniature Bearings Australia Pty Ltd

MBA Size Listings are a guide to sizes only and must not be solely relied on for critical design information.

## Bushes - Stainless Steel and PTFE - Unflanged

Part Number	Nominal ID (Di) mm <i>inches</i>	Nominal Outside Diameter (Do) mm <i>inches</i>	Length (B) mm <i>inches</i>
# BP0111-0135-0127-S6	11.113 <i>0.438</i>	13.494 <i>0.531</i>	12.700 <i>0.500</i>
# BP0111-0135-0191-S6	11.113 <i>0.438</i>	13.494 <i>0.531</i>	19.050 <i>0.750</i>
# BP0120-0140-0060-S6	12.000 <i>0.472</i>	14.000 <i>0.551</i>	6.000 <i>0.236</i>
# BP0120-0140-0080-S6	12.000 <i>0.472</i>	14.000 <i>0.551</i>	8.000 <i>0.315</i>
# BP0120-0140-0100-S6	12.000 <i>0.472</i>	14.000 <i>0.551</i>	10.000 <i>0.394</i>
# BP0120-0140-0120-S6	12.000 <i>0.472</i>	14.000 <i>0.551</i>	12.000 <i>0.472</i>
# BP0120-0140-0150-S6	12.000 <i>0.472</i>	14.000 <i>0.551</i>	15.000 <i>0.591</i>
# BP0120-0140-0200-S6	12.000 <i>0.472</i>	14.000 <i>0.551</i>	20.000 <i>0.787</i>
BP0120-0140-0250-S6	12.000 <i>0.472</i>	14.000 <i>0.551</i>	25.000 <i>0.984</i>
# BP0127-0151-0064-S6	12.700 <i>0.500</i>	15.081 <i>0.594</i>	6.350 <i>0.250</i>

# Indicates item not stocked at time of printing - Please enquire for lead time

E&OE Pricing and all details subject to change without notice - Copyright Miniature Bearings Australia Pty Ltd

MBA Size Listings are a guide to sizes only and must not be solely relied on for critical design information.

## Bushes - Stainless Steel and PTFE - Unflanged

Part Number	Nominal ID (Di) mm <i>inches</i>	Nominal Outside Diameter (Do) mm <i>inches</i>	Length (B) mm <i>inches</i>
# BP0127-0151-0095-S6	12.700 <i>0.500</i>	15.081 <i>0.594</i>	9.525 <i>0.375</i>
# BP0127-0151-0127-S6	12.700 <i>0.500</i>	15.081 <i>0.594</i>	12.700 <i>0.500</i>
# BP0127-0151-0159-S6	12.700 <i>0.500</i>	15.081 <i>0.594</i>	15.875 <i>0.625</i>
# BP0127-0151-0191-S6	12.700 <i>0.500</i>	15.081 <i>0.594</i>	19.050 <i>0.750</i>
# BP0127-0151-0222-S6	12.700 <i>0.500</i>	15.081 <i>0.594</i>	22.225 <i>0.875</i>
# BP0130-0150-0100-S6	13.000 <i>0.512</i>	15.000 <i>0.591</i>	10.000 <i>0.394</i>
# BP0130-0150-0200-S6	13.000 <i>0.512</i>	15.000 <i>0.591</i>	20.000 <i>0.787</i>
# BP0140-0160-0100-S6	14.000 <i>0.551</i>	16.000 <i>0.630</i>	10.000 <i>0.394</i>
# BP0140-0160-0120-S6	14.000 <i>0.551</i>	16.000 <i>0.630</i>	12.000 <i>0.472</i>
# BP0140-0160-0150-S6	14.000 <i>0.551</i>	16.000 <i>0.630</i>	15.000 <i>0.591</i>

# Indicates item not stocked at time of printing - Please enquire for lead time

E&OE Pricing and all details subject to change without notice - Copyright Miniature Bearings Australia Pty Ltd

MBA Size Listings are a guide to sizes only and must not be solely relied on for critical design information.



## Bushes - Stainless Steel and PTFE - Unflanged

Part Number	Nominal ID (Di) mm <i>inches</i>	Nominal Outside Diameter (Do) mm <i>inches</i>	Length (B) mm <i>inches</i>
# BP0140-0160-0200-S6	14.000 <i>0.551</i>	16.000 <i>0.630</i>	20.000 <i>0.787</i>
BP0140-0160-0250-S6	14.000 <i>0.551</i>	16.000 <i>0.630</i>	25.000 <i>0.984</i>
# BP0143-0167-0095-S6	14.288 <i>0.563</i>	16.669 <i>0.656</i>	9.525 <i>0.375</i>
# BP0143-0167-0127-S6	14.288 <i>0.563</i>	16.669 <i>0.656</i>	12.700 <i>0.500</i>
# BP0143-0167-0159-S6	14.288 <i>0.563</i>	16.669 <i>0.656</i>	15.875 <i>0.625</i>
# BP0143-0167-0191-S6	14.288 <i>0.563</i>	16.669 <i>0.656</i>	19.050 <i>0.750</i>
# BP0150-0170-0100-S6	15.000 <i>0.591</i>	17.000 <i>0.669</i>	10.000 <i>0.394</i>
# BP0150-0170-0120-S6	15.000 <i>0.591</i>	17.000 <i>0.669</i>	12.000 <i>0.472</i>
# BP0150-0170-0150-S6	15.000 <i>0.591</i>	17.000 <i>0.669</i>	15.000 <i>0.591</i>
# BP0150-0170-0200-S6	15.000 <i>0.591</i>	17.000 <i>0.669</i>	20.000 <i>0.787</i>

# Indicates item not stocked at time of printing - Please enquire for lead time

E&OE Pricing and all details subject to change without notice - Copyright Miniature Bearings Australia Pty Ltd

MBA Size Listings are a guide to sizes only and must not be solely relied on for critical design information.

## Bushes - Stainless Steel and PTFE - Unflanged

Part Number	Nominal ID (Di) mm <i>inches</i>	Nominal Outside Diameter (Do) mm <i>inches</i>	Length (B) mm <i>inches</i>
# BP0150-0170-0250-S6	15.000 <i>0.591</i>	17.000 <i>0.669</i>	25.000 <i>0.984</i>
# BP0159-0183-0064-S6	15.875 <i>0.625</i>	18.256 <i>0.719</i>	6.350 <i>0.250</i>
# BP0159-0183-0127-S6	15.875 <i>0.625</i>	18.256 <i>0.719</i>	12.700 <i>0.500</i>
# BP0159-0183-0159-S6	15.875 <i>0.625</i>	18.256 <i>0.719</i>	15.875 <i>0.625</i>
# BP0159-0183-0191-S6	15.875 <i>0.625</i>	18.256 <i>0.719</i>	19.050 <i>0.750</i>
# BP0159-0183-0222-S6	15.875 <i>0.625</i>	18.256 <i>0.719</i>	22.225 <i>0.875</i>
# BP0159-0183-0254-S6	15.875 <i>0.625</i>	18.256 <i>0.719</i>	25.400 <i>1.000</i>
# BP0160-0180-0100-S6	16.000 <i>0.630</i>	18.000 <i>0.709</i>	10.000 <i>0.394</i>
# BP0160-0180-0120-S6	16.000 <i>0.630</i>	18.000 <i>0.709</i>	12.000 <i>0.472</i>
# BP0160-0180-0150-S6	16.000 <i>0.630</i>	18.000 <i>0.709</i>	15.000 <i>0.591</i>

# Indicates item not stocked at time of printing - Please enquire for lead time

E&OE Pricing and all details subject to change without notice - Copyright Miniature Bearings Australia Pty Ltd  
MBA Size Listings are a guide to sizes only and must not be solely relied on for critical design information.

## Bushes - Stainless Steel and PTFE - Unflanged

Part Number	Nominal ID (Di) mm	Nominal Outside Diameter (Do) mm	Length (B) mm
	<i>inches</i>	<i>inches</i>	<i>inches</i>
# BP0160-0180-0200-S6	16.000 <i>0.630</i>	18.000 <i>0.709</i>	20.000 <i>0.787</i>
# BP0160-0180-0250-S6	16.000 <i>0.630</i>	18.000 <i>0.709</i>	25.000 <i>0.984</i>
# BP0170-0190-0100-S6	17.000 <i>0.669</i>	19.000 <i>0.748</i>	10.000 <i>0.394</i>
# BP0170-0190-0120-S6	17.000 <i>0.669</i>	19.000 <i>0.748</i>	12.000 <i>0.472</i>
# BP0170-0190-0200-S6	17.000 <i>0.669</i>	19.000 <i>0.748</i>	20.000 <i>0.787</i>
# BP0175-0198-0222-S6	17.463 <i>0.688</i>	19.844 <i>0.781</i>	22.225 <i>0.875</i>
# BP0180-0200-0100-S6	18.000 <i>0.709</i>	20.000 <i>0.787</i>	10.000 <i>0.394</i>
# BP0180-0200-0120-S6	18.000 <i>0.709</i>	20.000 <i>0.787</i>	12.000 <i>0.472</i>
# BP0180-0200-0150-S6	18.000 <i>0.709</i>	20.000 <i>0.787</i>	15.000 <i>0.591</i>
# BP0180-0200-0200-S6	18.000 <i>0.709</i>	20.000 <i>0.787</i>	20.000 <i>0.787</i>

# Indicates item not stocked at time of printing - Please enquire for lead time

E&OE Pricing and all details subject to change without notice - Copyright Miniature Bearings Australia Pty Ltd

MBA Size Listings are a guide to sizes only and must not be solely relied on for critical design information.

## Bushes - Stainless Steel and PTFE - Unflanged

Part Number	Nominal ID (Di) mm <i>inches</i>	Nominal Outside Diameter (Do) mm <i>inches</i>	Length (B) mm <i>inches</i>
# BP0180-0200-0250-S6	18.000 <i>0.709</i>	20.000 <i>0.787</i>	25.000 <i>0.984</i>
# BP0191-0222-0064-S6	19.050 <i>0.750</i>	22.225 <i>0.875</i>	6.350 <i>0.250</i>
# BP0191-0222-0095-S6	19.050 <i>0.750</i>	22.225 <i>0.875</i>	9.525 <i>0.375</i>
# BP0191-0222-0127-S6	19.050 <i>0.750</i>	22.225 <i>0.875</i>	12.700 <i>0.500</i>
# BP0191-0222-0159-S6	19.050 <i>0.750</i>	22.225 <i>0.875</i>	15.875 <i>0.625</i>
# BP0191-0222-0191-S6	19.050 <i>0.750</i>	22.225 <i>0.875</i>	19.050 <i>0.750</i>
# BP0191-0222-0254-S6	19.050 <i>0.750</i>	22.225 <i>0.875</i>	25.400 <i>1.000</i>
# BP0200-0230-0250-S6	20.000 <i>0.787</i>	23.000 <i>0.906</i>	25.000 <i>0.984</i>
# BP0200-0230-0300-S6	20.000 <i>0.787</i>	23.000 <i>0.906</i>	30.000 <i>1.181</i>
# BP0206-0238-0191-S6	20.638 <i>0.813</i>	23.813 <i>0.938</i>	19.050 <i>0.750</i>

# Indicates item not stocked at time of printing - Please enquire for lead time

E&OE Pricing and all details subject to change without notice - Copyright Miniature Bearings Australia Pty Ltd

MBA Size Listings are a guide to sizes only and must not be solely relied on for critical design information.

## Bushes - Stainless Steel and PTFE - Unflanged

Part Number	Nominal ID (Di) mm <i>inches</i>	Nominal Outside Diameter (Do) mm <i>inches</i>	Length (B) mm <i>inches</i>
# BP0206-0238-0286-S6	20.638 <i>0.813</i>	23.813 <i>0.938</i>	28.575 <i>1.125</i>
# BP0220-0250-0100-S6	22.000 <i>0.866</i>	25.000 <i>0.984</i>	10.000 <i>0.394</i>
# BP0220-0250-0120-S6	22.000 <i>0.866</i>	25.000 <i>0.984</i>	12.000 <i>0.472</i>
# BP0220-0250-0150-S6	22.000 <i>0.866</i>	25.000 <i>0.984</i>	15.000 <i>0.591</i>
# BP0220-0250-0200-S6	22.000 <i>0.866</i>	25.000 <i>0.984</i>	20.000 <i>0.787</i>
# BP0220-0250-0250-S6	22.000 <i>0.866</i>	25.000 <i>0.984</i>	25.000 <i>0.984</i>
# BP0220-0250-0300-S6	22.000 <i>0.866</i>	25.000 <i>0.984</i>	30.000 <i>1.181</i>
# BP0222-0254-0064-S6	22.225 <i>0.875</i>	25.400 <i>1.000</i>	6.350 <i>0.250</i>
# BP0222-0254-0095-S6	22.225 <i>0.875</i>	25.400 <i>1.000</i>	9.525 <i>0.375</i>
# BP0222-0254-0191-S6	22.225 <i>0.875</i>	25.400 <i>1.000</i>	19.050 <i>0.750</i>

# Indicates item not stocked at time of printing - Please enquire for lead time

E&OE Pricing and all details subject to change without notice - Copyright Miniature Bearings Australia Pty Ltd

MBA Size Listings are a guide to sizes only and must not be solely relied on for critical design information.

## Bushes - Stainless Steel and PTFE - Unflanged

Part Number	Nominal ID (Di) mm <i>inches</i>	Nominal Outside Diameter (Do) mm <i>inches</i>	Length (B) mm <i>inches</i>
# BP0222-0254-0254-S6	22.225 <i>0.875</i>	25.400 <i>1.000</i>	25.400 <i>1.000</i>
# BP0222-0254-0318-S6	22.225 <i>0.875</i>	25.400 <i>1.000</i>	31.750 <i>1.250</i>
# BP0240-0270-0150-S6	24.000 <i>0.945</i>	27.000 <i>1.063</i>	15.000 <i>0.591</i>
# BP0240-0270-0200-S6	24.000 <i>0.945</i>	27.000 <i>1.063</i>	20.000 <i>0.787</i>
# BP0240-0270-0250-S6	24.000 <i>0.945</i>	27.000 <i>1.063</i>	25.000 <i>0.984</i>
# BP0240-0270-0300-S6	24.000 <i>0.945</i>	27.000 <i>1.063</i>	30.000 <i>1.181</i>
# BP0250-0280-0100-S6	25.000 <i>0.984</i>	28.000 <i>1.102</i>	10.000 <i>0.394</i>
# BP0250-0280-0120-S6	25.000 <i>0.984</i>	28.000 <i>1.102</i>	12.000 <i>0.472</i>
# BP0250-0280-0150-S6	25.000 <i>0.984</i>	28.000 <i>1.102</i>	15.000 <i>0.591</i>
# BP0250-0280-0200-S6	25.000 <i>0.984</i>	28.000 <i>1.102</i>	20.000 <i>0.787</i>

# Indicates item not stocked at time of printing - Please enquire for lead time

E&OE Pricing and all details subject to change without notice - Copyright Miniature Bearings Australia Pty Ltd

MBA Size Listings are a guide to sizes only and must not be solely relied on for critical design information.

## Bushes - Stainless Steel and PTFE - Unflanged

Part Number	Nominal ID (Di) mm	Nominal Outside Diameter (Do) mm	Length (B) mm
	<i>inches</i>	<i>inches</i>	<i>inches</i>
# BP0250-0280-0250-S6	25.000 <i>0.984</i>	28.000 <i>1.102</i>	25.000 <i>0.984</i>
# BP0250-0280-0300-S6	25.000 <i>0.984</i>	28.000 <i>1.102</i>	30.000 <i>1.181</i>
# BP0250-0280-0400-S6	25.000 <i>0.984</i>	28.000 <i>1.102</i>	40.000 <i>1.575</i>
# BP0250-0280-0500-S6	25.000 <i>0.984</i>	28.000 <i>1.102</i>	50.000 <i>1.969</i>
# BP0254-0286-0095-S6	25.400 <i>1.000</i>	28.575 <i>1.125</i>	9.525 <i>0.375</i>
# BP0254-0286-0127-S6	25.400 <i>1.000</i>	28.575 <i>1.125</i>	12.700 <i>0.500</i>
# BP0254-0286-0191-S6	25.400 <i>1.000</i>	28.575 <i>1.125</i>	19.050 <i>0.750</i>
# BP0254-0286-0254-S6	25.400 <i>1.000</i>	28.575 <i>1.125</i>	25.400 <i>1.000</i>
# BP0254-0286-0318-S6	25.400 <i>1.000</i>	28.575 <i>1.125</i>	31.750 <i>1.250</i>
# BP0254-0286-0381-S6	25.400 <i>1.000</i>	28.575 <i>1.125</i>	38.100 <i>1.500</i>

# Indicates item not stocked at time of printing - Please enquire for lead time

E&OE Pricing and all details subject to change without notice - Copyright Miniature Bearings Australia Pty Ltd

MBA Size Listings are a guide to sizes only and must not be solely relied on for critical design information.

## Bushes - Stainless Steel and PTFE - Unflanged

Part Number	Nominal ID (Di) mm	Nominal Outside Diameter (Do) mm	Length (B) mm
	<i>inches</i>	<i>inches</i>	<i>inches</i>
# BP0280-0320-0150-S6	28.000 <i>1.102</i>	32.000 <i>1.260</i>	15.000 <i>0.591</i>
# BP0280-0320-0200-S6	28.000 <i>1.102</i>	32.000 <i>1.260</i>	20.000 <i>0.787</i>
# BP0280-0320-0250-S6	28.000 <i>1.102</i>	32.000 <i>1.260</i>	25.000 <i>0.984</i>
# BP0280-0320-0300-S6	28.000 <i>1.102</i>	32.000 <i>1.260</i>	30.000 <i>1.181</i>
# BP0280-0320-0400-S6	28.000 <i>1.102</i>	32.000 <i>1.260</i>	40.000 <i>1.575</i>
# BP0286-0318-0095-S6	28.575 <i>1.125</i>	31.750 <i>1.250</i>	9.525 <i>0.375</i>
# BP0286-0318-0159-S6	28.575 <i>1.125</i>	31.750 <i>1.250</i>	15.875 <i>0.625</i>
# BP0286-0318-0191-S6	28.575 <i>1.125</i>	31.750 <i>1.250</i>	19.050 <i>0.750</i>
# BP0286-0318-0254-S6	28.575 <i>1.125</i>	31.750 <i>1.250</i>	25.400 <i>1.000</i>
# BP0300-0340-0120-S6	30.000 <i>1.181</i>	34.000 <i>1.339</i>	12.000 <i>0.472</i>

# Indicates item not stocked at time of printing - Please enquire for lead time

E&OE Pricing and all details subject to change without notice - Copyright Miniature Bearings Australia Pty Ltd

MBA Size Listings are a guide to sizes only and must not be solely relied on for critical design information.



## Bushes - Stainless Steel and PTFE - Unflanged

Part Number	Nominal ID (Di) mm	Nominal Outside Diameter (Do) mm	Length (B) mm
	<i>inches</i>	<i>inches</i>	<i>inches</i>
# BP0300-0340-0150-S6	30.000 <i>1.181</i>	34.000 <i>1.339</i>	15.000 <i>0.591</i>
# BP0300-0340-0200-S6	30.000 <i>1.181</i>	34.000 <i>1.339</i>	20.000 <i>0.787</i>
# BP0300-0340-0250-S6	30.000 <i>1.181</i>	34.000 <i>1.339</i>	25.000 <i>0.984</i>
# BP0300-0340-0300-S6	30.000 <i>1.181</i>	34.000 <i>1.339</i>	30.000 <i>1.181</i>
# BP0300-0340-0400-S6	30.000 <i>1.181</i>	34.000 <i>1.339</i>	40.000 <i>1.575</i>
# BP0318-0357-0095-S6	31.750 <i>1.250</i>	35.712 <i>1.406</i>	9.525 <i>0.375</i>
# BP0318-0357-0191-S6	31.750 <i>1.250</i>	35.712 <i>1.406</i>	19.050 <i>0.750</i>
# BP0318-0357-0222-S6	31.750 <i>1.250</i>	35.712 <i>1.406</i>	22.225 <i>0.875</i>
# BP0318-0357-0254-S6	31.750 <i>1.250</i>	35.712 <i>1.406</i>	25.400 <i>1.000</i>
# BP0318-0357-0318-S6	31.750 <i>1.250</i>	35.712 <i>1.406</i>	31.750 <i>1.250</i>

# Indicates item not stocked at time of printing - Please enquire for lead time

E&OE Pricing and all details subject to change without notice - Copyright Miniature Bearings Australia Pty Ltd  
MBA Size Listings are a guide to sizes only and must not be solely relied on for critical design information.

## Bushes - Stainless Steel and PTFE - Unflanged

Part Number	Nominal ID (Di) mm	Nominal Outside Diameter (Do) mm	Length (B) mm
	<i>inches</i>	<i>inches</i>	<i>inches</i>
# BP0318-0357-0445-S6	31.750 <i>1.250</i>	35.712 <i>1.406</i>	44.450 <i>1.750</i>
# BP0320-0360-0200-S6	32.000 <i>1.260</i>	36.000 <i>1.417</i>	20.000 <i>0.787</i>
# BP0320-0360-0300-S6	32.000 <i>1.260</i>	36.000 <i>1.417</i>	30.000 <i>1.181</i>
# BP0320-0360-0400-S6	32.000 <i>1.260</i>	36.000 <i>1.417</i>	40.000 <i>1.575</i>
# BP0349-0389-0191-S6	34.925 <i>1.375</i>	38.894 <i>1.531</i>	19.050 <i>0.750</i>
# BP0349-0389-0349-S6	34.925 <i>1.375</i>	38.894 <i>1.531</i>	34.925 <i>1.375</i>
# BP0349-0389-0381-S6	34.925 <i>1.375</i>	38.894 <i>1.531</i>	38.100 <i>1.500</i>
# BP0349-0389-0445-S6	34.925 <i>1.375</i>	38.894 <i>1.531</i>	44.450 <i>1.750</i>
# BP0350-0390-0120-S6	35.000 <i>1.378</i>	39.000 <i>1.535</i>	12.000 <i>0.472</i>
# BP0350-0390-0150-S6	35.000 <i>1.378</i>	39.000 <i>1.535</i>	15.000 <i>0.591</i>

# Indicates item not stocked at time of printing - Please enquire for lead time

E&OE Pricing and all details subject to change without notice - Copyright Miniature Bearings Australia Pty Ltd  
MBA Size Listings are a guide to sizes only and must not be solely relied on for critical design information.

## Bushes - Stainless Steel and PTFE - Unflanged

Part Number	Nominal ID (Di) mm <i>inches</i>	Nominal Outside Diameter (Do) mm <i>inches</i>	Length (B) mm <i>inches</i>
# BP0350-0390-0200-S6	35.000 <i>1.378</i>	39.000 <i>1.535</i>	20.000 <i>0.787</i>
# BP0350-0390-0250-S6	35.000 <i>1.378</i>	39.000 <i>1.535</i>	25.000 <i>0.984</i>
# BP0350-0390-0300-S6	35.000 <i>1.378</i>	39.000 <i>1.535</i>	30.000 <i>1.181</i>
# BP0350-0390-0400-S6	35.000 <i>1.378</i>	39.000 <i>1.535</i>	40.000 <i>1.575</i>
# BP0350-0390-0500-S6	35.000 <i>1.378</i>	39.000 <i>1.535</i>	50.000 <i>1.969</i>
# BP0380-0420-0150-S6	38.000 <i>1.496</i>	42.000 <i>1.654</i>	15.000 <i>0.591</i>
# BP0380-0420-0300-S6	38.000 <i>1.496</i>	42.000 <i>1.654</i>	30.000 <i>1.181</i>
# BP0380-0420-0400-S6	38.000 <i>1.496</i>	42.000 <i>1.654</i>	40.000 <i>1.575</i>
# BP0381-0421-0127-S6	38.100 <i>1.500</i>	42.069 <i>1.656</i>	12.700 <i>0.500</i>
# BP0381-0421-0254-S6	38.100 <i>1.500</i>	42.069 <i>1.656</i>	25.400 <i>1.000</i>

# Indicates item not stocked at time of printing - Please enquire for lead time

E&OE Pricing and all details subject to change without notice - Copyright Miniature Bearings Australia Pty Ltd

MBA Size Listings are a guide to sizes only and must not be solely relied on for critical design information.

## Bushes - Stainless Steel and PTFE - Unflanged

Part Number	Nominal ID (Di) mm	Nominal Outside Diameter (Do) mm	Length (B) mm
	<i>inches</i>	<i>inches</i>	<i>inches</i>
# BP0381-0421-0286-S6	38.100 <i>1.500</i>	42.069 <i>1.656</i>	28.575 <i>1.125</i>
# BP0381-0421-0318-S6	38.100 <i>1.500</i>	42.069 <i>1.656</i>	31.750 <i>1.250</i>
# BP0381-0421-0381-S6	38.100 <i>1.500</i>	42.069 <i>1.656</i>	38.100 <i>1.500</i>
# BP0381-0421-0508-S6	38.100 <i>1.500</i>	42.069 <i>1.656</i>	50.800 <i>2.000</i>
# BP0400-0440-0120-S6	40.000 <i>1.575</i>	44.000 <i>1.732</i>	12.000 <i>0.472</i>
# BP0400-0440-0200-S6	40.000 <i>1.575</i>	44.000 <i>1.732</i>	20.000 <i>0.787</i>
# BP0400-0440-0250-S6	40.000 <i>1.575</i>	44.000 <i>1.732</i>	25.000 <i>0.984</i>
# BP0400-0440-0300-S6	40.000 <i>1.575</i>	44.000 <i>1.732</i>	30.000 <i>1.181</i>
# BP0400-0440-0400-S6	40.000 <i>1.575</i>	44.000 <i>1.732</i>	40.000 <i>1.575</i>
# BP0400-0440-0500-S6	40.000 <i>1.575</i>	44.000 <i>1.732</i>	50.000 <i>1.969</i>

# Indicates item not stocked at time of printing - Please enquire for lead time

E&OE Pricing and all details subject to change without notice - Copyright Miniature Bearings Australia Pty Ltd

MBA Size Listings are a guide to sizes only and must not be solely relied on for critical design information.

## Bushes - Stainless Steel and PTFE - Unflanged

Part Number	Nominal ID (Di) mm <i>inches</i>	Nominal Outside Diameter (Do) mm <i>inches</i>	Length (B) mm <i>inches</i>
# BP0413-0452-0254-S6	41.275 <i>1.625</i>	45.244 <i>1.781</i>	25.400 <i>1.000</i>
# BP0413-0475-0381-S6	41.275 <i>1.625</i>	47.530 <i>1.871</i>	38.100 <i>1.500</i>
# BP0445-0492-0254-S6	44.450 <i>1.750</i>	49.213 <i>1.938</i>	25.400 <i>1.000</i>
# BP0445-0492-0381-S6	44.450 <i>1.750</i>	49.213 <i>1.938</i>	38.100 <i>1.500</i>
# BP0445-0492-0508-S6	44.450 <i>1.750</i>	49.213 <i>1.938</i>	50.800 <i>2.000</i>
# BP0450-0500-0200-S6	45.000 <i>1.772</i>	50.000 <i>1.969</i>	20.000 <i>0.787</i>
# BP0450-0500-0250-S6	45.000 <i>1.772</i>	50.000 <i>1.969</i>	25.000 <i>0.984</i>
# BP0450-0500-0300-S6	45.000 <i>1.772</i>	50.000 <i>1.969</i>	30.000 <i>1.181</i>
# BP0450-0500-0400-S6	45.000 <i>1.772</i>	50.000 <i>1.969</i>	40.000 <i>1.575</i>
# BP0450-0500-0500-S6	45.000 <i>1.772</i>	50.000 <i>1.969</i>	50.000 <i>1.969</i>

# Indicates item not stocked at time of printing - Please enquire for lead time

E&OE Pricing and all details subject to change without notice - Copyright Miniature Bearings Australia Pty Ltd  
MBA Size Listings are a guide to sizes only and must not be solely relied on for critical design information.

## Bushes - Stainless Steel and PTFE - Unflanged

Part Number	Nominal ID (Di) mm	Nominal Outside Diameter (Do) mm	Length (B) mm
	<i>inches</i>	<i>inches</i>	<i>inches</i>
# BP0476-0523-0191-S6	47.625 <i>1.875</i>	52.324 <i>2.060</i>	19.050 <i>0.750</i>
# BP0476-0523-0254-S6	47.625 <i>1.875</i>	52.324 <i>2.060</i>	25.400 <i>1.000</i>
# BP0476-0523-0572-S6	47.625 <i>1.875</i>	52.324 <i>2.060</i>	57.150 <i>2.250</i>
# BP0500-0550-0200-S6	50.000 <i>1.969</i>	55.000 <i>2.165</i>	20.000 <i>0.787</i>
# BP0500-0550-0300-S6	50.000 <i>1.969</i>	55.000 <i>2.165</i>	30.000 <i>1.181</i>
# BP0500-0550-0400-S6	50.000 <i>1.969</i>	55.000 <i>2.165</i>	40.000 <i>1.575</i>
# BP0500-0550-0500-S6	50.000 <i>1.969</i>	55.000 <i>2.165</i>	50.000 <i>1.969</i>
# BP0500-0550-0600-S6	50.000 <i>1.969</i>	55.000 <i>2.165</i>	60.000 <i>2.362</i>
# BP0508-0555-0127-S6	50.800 <i>2.000</i>	55.499 <i>2.185</i>	12.700 <i>0.500</i>
# BP0508-0555-0254-S6	50.800 <i>2.000</i>	55.499 <i>2.185</i>	25.400 <i>1.000</i>

# Indicates item not stocked at time of printing - Please enquire for lead time

E&OE Pricing and all details subject to change without notice - Copyright Miniature Bearings Australia Pty Ltd  
MBA Size Listings are a guide to sizes only and must not be solely relied on for critical design information.

## Bushes - Stainless Steel and PTFE - Unflanged

Part Number	Nominal ID (Di) mm	Nominal Outside Diameter (Do) mm	Length (B) mm
	<i>inches</i>	<i>inches</i>	<i>inches</i>
# BP0508-0555-0381-S6	50.800 <i>2.000</i>	55.499 <i>2.185</i>	38.100 <i>1.500</i>
# BP0508-0555-0445-S6	50.800 <i>2.000</i>	55.499 <i>2.185</i>	44.450 <i>1.750</i>
# BP0508-0555-0508-S6	50.800 <i>2.000</i>	55.499 <i>2.185</i>	50.800 <i>2.000</i>
# BP0540-0587-0762-S6	53.975 <i>2.125</i>	58.674 <i>2.310</i>	76.200 <i>3.000</i>
# BP0550-0600-0300-S6	55.000 <i>2.165</i>	60.000 <i>2.362</i>	30.000 <i>1.181</i>
# BP0550-0600-0400-S6	55.000 <i>2.165</i>	60.000 <i>2.362</i>	40.000 <i>1.575</i>
# BP0550-0600-0500-S6	55.000 <i>2.165</i>	60.000 <i>2.362</i>	50.000 <i>1.969</i>
# BP0550-0600-0600-S6	55.000 <i>2.165</i>	60.000 <i>2.362</i>	60.000 <i>2.362</i>
# BP0572-0619-0445-S6	57.150 <i>2.250</i>	61.918 <i>2.438</i>	44.450 <i>1.750</i>
# BP0572-0619-0508-S6	57.150 <i>2.250</i>	61.918 <i>2.438</i>	50.800 <i>2.000</i>

# Indicates item not stocked at time of printing - Please enquire for lead time

E&OE Pricing and all details subject to change without notice - Copyright Miniature Bearings Australia Pty Ltd  
MBA Size Listings are a guide to sizes only and must not be solely relied on for critical design information.

## Bushes - Stainless Steel and PTFE - Unflanged

Part Number	Nominal ID (Di) mm <i>inches</i>	Nominal Outside Diameter (Do) mm <i>inches</i>	Length (B) mm <i>inches</i>
# BP0572-0619-0635-S6	57.150 <i>2.250</i>	61.918 <i>2.438</i>	63.500 <i>2.500</i>
# BP0572-0619-0762-S6	57.150 <i>2.250</i>	61.918 <i>2.438</i>	76.200 <i>3.000</i>
# BP0572-0619-0889-S6	57.150 <i>2.250</i>	61.918 <i>2.438</i>	88.900 <i>3.500</i>
# BP0572-0619-0953-S6	57.150 <i>2.250</i>	61.918 <i>2.438</i>	95.250 <i>3.750</i>
# BP0572-0619-1016-S6	57.150 <i>2.250</i>	61.918 <i>2.438</i>	101.600 <i>4.000</i>
# BP0572-0619-1143-S6	57.150 <i>2.250</i>	61.918 <i>2.438</i>	114.300 <i>4.500</i>
# BP0600-0650-0300-S6	60.000 <i>2.362</i>	65.000 <i>2.559</i>	30.000 <i>1.181</i>
# BP0600-0650-0400-S6	60.000 <i>2.362</i>	65.000 <i>2.559</i>	40.000 <i>1.575</i>
# BP0600-0650-0500-S6	60.000 <i>2.362</i>	65.000 <i>2.559</i>	50.000 <i>1.969</i>
# BP0600-0650-0600-S6	60.000 <i>2.362</i>	65.000 <i>2.559</i>	60.000 <i>2.362</i>

# Indicates item not stocked at time of printing - Please enquire for lead time

E&OE Pricing and all details subject to change without notice - Copyright Miniature Bearings Australia Pty Ltd  
MBA Size Listings are a guide to sizes only and must not be solely relied on for critical design information.



## Bushes - Stainless Steel and PTFE - Unflanged

Part Number	Nominal ID (Di) mm	Nominal Outside Diameter (Do) mm	Length (B) mm
	<i>inches</i>	<i>inches</i>	<i>inches</i>
# BP0600-0650-0700-S6	60.000 <i>2.362</i>	65.000 <i>2.559</i>	70.000 <i>2.756</i>
# BP0635-0683-0254-S6	63.500 <i>2.500</i>	68.275 <i>2.688</i>	25.400 <i>1.000</i>
# BP0635-0683-0413-S6	63.500 <i>2.500</i>	68.275 <i>2.688</i>	41.275 <i>1.625</i>
# BP0635-0683-0508-S6	63.500 <i>2.500</i>	68.275 <i>2.688</i>	50.800 <i>2.000</i>
# BP0635-0683-0635-S6	63.500 <i>2.500</i>	68.275 <i>2.688</i>	63.500 <i>2.500</i>
# BP0635-0683-0762-S6	63.500 <i>2.500</i>	68.275 <i>2.688</i>	76.200 <i>3.000</i>
# BP0635-0683-0889-S6	63.500 <i>2.500</i>	68.275 <i>2.688</i>	88.900 <i>3.500</i>
# BP0635-0683-0953-S6	63.500 <i>2.500</i>	68.275 <i>2.688</i>	95.250 <i>3.750</i>
# BP0635-0683-1016-S6	63.500 <i>2.500</i>	68.275 <i>2.688</i>	101.600 <i>4.000</i>
# BP0635-0683-1143-S6	63.500 <i>2.500</i>	68.275 <i>2.688</i>	114.300 <i>4.500</i>

# Indicates item not stocked at time of printing - Please enquire for lead time

E&OE Pricing and all details subject to change without notice - Copyright Miniature Bearings Australia Pty Ltd

MBA Size Listings are a guide to sizes only and must not be solely relied on for critical design information.

## Bushes - Stainless Steel and PTFE - Unflanged

Part Number	Nominal ID (Di) mm <i>inches</i>	Nominal Outside Diameter (Do) mm <i>inches</i>	Length (B) mm <i>inches</i>
# BP0650-0700-0300-S6	65.000 <i>2.559</i>	70.000 <i>2.756</i>	30.000 <i>1.181</i>
# BP0650-0700-0400-S6	65.000 <i>2.559</i>	70.000 <i>2.756</i>	40.000 <i>1.575</i>
# BP0650-0700-0500-S6	65.000 <i>2.559</i>	70.000 <i>2.756</i>	50.000 <i>1.969</i>
# BP0650-0700-0600-S6	65.000 <i>2.559</i>	70.000 <i>2.756</i>	60.000 <i>2.362</i>
# BP0650-0700-0700-S6	65.000 <i>2.559</i>	70.000 <i>2.756</i>	70.000 <i>2.756</i>
# BP0699-0746-0508-S6	69.850 <i>2.750</i>	74.600 <i>2.937</i>	50.800 <i>2.000</i>
# BP0699-0746-0572-S6	69.850 <i>2.750</i>	74.600 <i>2.937</i>	57.150 <i>2.250</i>
# BP0699-0746-0635-S6	69.850 <i>2.750</i>	74.600 <i>2.937</i>	63.500 <i>2.500</i>
# BP0699-0746-0762-S6	69.850 <i>2.750</i>	74.600 <i>2.937</i>	76.200 <i>3.000</i>
# BP0699-0746-0889-S6	69.850 <i>2.750</i>	74.600 <i>2.937</i>	88.900 <i>3.500</i>

# Indicates item not stocked at time of printing - Please enquire for lead time

E&OE Pricing and all details subject to change without notice - Copyright Miniature Bearings Australia Pty Ltd  
MBA Size Listings are a guide to sizes only and must not be solely relied on for critical design information.

## Bushes - Stainless Steel and PTFE - Unflanged

Part Number	Nominal ID (Di) mm	Nominal Outside Diameter (Do) mm	Length (B) mm
	<i>inches</i>	<i>inches</i>	<i>inches</i>
# BP0699-0746-0953-S6	69.850 <i>2.750</i>	74.600 <i>2.937</i>	95.250 <i>3.750</i>
# BP0699-0746-1016-S6	69.850 <i>2.750</i>	74.600 <i>2.937</i>	101.600 <i>4.000</i>
# BP0699-0746-1143-S6	69.850 <i>2.750</i>	74.600 <i>2.937</i>	114.300 <i>4.500</i>
# BP0699-0746-1207-S6	69.850 <i>2.750</i>	74.600 <i>2.937</i>	120.650 <i>4.750</i>
# BP0700-0750-0400-S6	70.000 <i>2.756</i>	75.000 <i>2.953</i>	40.000 <i>1.575</i>
# BP0700-0750-0500-S6	70.000 <i>2.756</i>	75.000 <i>2.953</i>	50.000 <i>1.969</i>
# BP0700-0750-0600-S6	70.000 <i>2.756</i>	75.000 <i>2.953</i>	60.000 <i>2.362</i>
# BP0700-0750-0700-S6	70.000 <i>2.756</i>	75.000 <i>2.953</i>	70.000 <i>2.756</i>
# BP0700-0750-0800-S6	70.000 <i>2.756</i>	75.000 <i>2.953</i>	80.000 <i>3.150</i>
# BP0730-0778-0508-S6	73.025 <i>2.875</i>	77.782 <i>3.062</i>	50.800 <i>2.000</i>

# Indicates item not stocked at time of printing - Please enquire for lead time

E&OE Pricing and all details subject to change without notice - Copyright Miniature Bearings Australia Pty Ltd  
MBA Size Listings are a guide to sizes only and must not be solely relied on for critical design information.

## Bushes - Stainless Steel and PTFE - Unflanged

Part Number	Nominal ID (Di) mm <i>inches</i>	Nominal Outside Diameter (Do) mm <i>inches</i>	Length (B) mm <i>inches</i>
# BP0730-0778-0572-S6	73.025 <i>2.875</i>	77.782 <i>3.062</i>	57.150 <i>2.250</i>
# BP0730-0778-0635-S6	73.025 <i>2.875</i>	77.782 <i>3.062</i>	63.500 <i>2.500</i>
# BP0730-0778-0762-S6	73.025 <i>2.875</i>	77.782 <i>3.062</i>	76.200 <i>3.000</i>
# BP0730-0778-0889-S6	73.025 <i>2.875</i>	77.782 <i>3.062</i>	88.900 <i>3.500</i>
# BP0730-0778-0953-S6	73.025 <i>2.875</i>	77.782 <i>3.062</i>	95.250 <i>3.750</i>
# BP0730-0778-1016-S6	73.025 <i>2.875</i>	77.782 <i>3.062</i>	101.600 <i>4.000</i>
# BP0730-0778-1143-S6	73.025 <i>2.875</i>	77.782 <i>3.062</i>	114.300 <i>4.500</i>
# BP0730-0778-1207-S6	73.025 <i>2.875</i>	77.782 <i>3.062</i>	120.650 <i>4.750</i>
BP0750-0800-0300-S6	75.000 <i>2.953</i>	80.000 <i>3.150</i>	30.000 <i>1.181</i>
# BP0750-0800-0400-S6	75.000 <i>2.953</i>	80.000 <i>3.150</i>	40.000 <i>1.575</i>

# Indicates item not stocked at time of printing - Please enquire for lead time

E&OE Pricing and all details subject to change without notice - Copyright Miniature Bearings Australia Pty Ltd

MBA Size Listings are a guide to sizes only and must not be solely relied on for critical design information.

## Bushes - Stainless Steel and PTFE - Unflanged

Part Number	Nominal ID (Di) mm	Nominal Outside Diameter (Do) mm	Length (B) mm
	<i>inches</i>	<i>inches</i>	<i>inches</i>
# BP0750-0800-0500-S6	75.000 <i>2.953</i>	80.000 <i>3.150</i>	50.000 <i>1.969</i>
# BP0750-0800-0600-S6	75.000 <i>2.953</i>	80.000 <i>3.150</i>	60.000 <i>2.362</i>
# BP0750-0800-0700-S6	75.000 <i>2.953</i>	80.000 <i>3.150</i>	70.000 <i>2.756</i>
# BP0750-0800-0800-S6	75.000 <i>2.953</i>	80.000 <i>3.150</i>	80.000 <i>3.150</i>
# BP0762-0810-0508-S6	76.200 <i>3.000</i>	80.950 <i>3.187</i>	50.800 <i>2.000</i>
# BP0762-0810-0572-S6	76.200 <i>3.000</i>	80.950 <i>3.187</i>	57.150 <i>2.250</i>
# BP0762-0810-0635-S6	76.200 <i>3.000</i>	80.950 <i>3.187</i>	63.500 <i>2.500</i>
# BP0762-0810-0762-S6	76.200 <i>3.000</i>	80.950 <i>3.187</i>	76.200 <i>3.000</i>
# BP0762-0810-0889-S6	76.200 <i>3.000</i>	80.950 <i>3.187</i>	88.900 <i>3.500</i>
# BP0762-0810-0953-S6	76.200 <i>3.000</i>	80.950 <i>3.187</i>	95.250 <i>3.750</i>

# Indicates item not stocked at time of printing - Please enquire for lead time

E&OE Pricing and all details subject to change without notice - Copyright Miniature Bearings Australia Pty Ltd  
MBA Size Listings are a guide to sizes only and must not be solely relied on for critical design information.

## Bushes - Stainless Steel and PTFE - Unflanged

Part Number	Nominal ID (Di) mm <i>inches</i>	Nominal Outside Diameter (Do) mm <i>inches</i>	Length (B) mm <i>inches</i>
# BP0762-0810-1016-S6	76.200 <i>3.000</i>	80.950 <i>3.187</i>	101.600 <i>4.000</i>
# BP0762-0810-1143-S6	76.200 <i>3.000</i>	80.950 <i>3.187</i>	114.300 <i>4.500</i>
# BP0762-0810-1207-S6	76.200 <i>3.000</i>	80.950 <i>3.187</i>	120.650 <i>4.750</i>
# BP0800-0850-0400-S6	80.000 <i>3.150</i>	85.000 <i>3.346</i>	40.000 <i>1.575</i>
# BP0800-0850-0500-S6	80.000 <i>3.150</i>	85.000 <i>3.346</i>	50.000 <i>1.969</i>
# BP0800-0850-0600-S6	80.000 <i>3.150</i>	85.000 <i>3.346</i>	60.000 <i>2.362</i>
# BP0800-0850-0700-S6	80.000 <i>3.150</i>	85.000 <i>3.346</i>	70.000 <i>2.756</i>
# BP0800-0850-0800-S6	80.000 <i>3.150</i>	85.000 <i>3.346</i>	80.000 <i>3.150</i>
# BP0800-0850-1000-S6	80.000 <i>3.150</i>	85.000 <i>3.346</i>	100.000 <i>3.937</i>
# BP0826-0871-0508-S6	82.550 <i>3.250</i>	87.122 <i>3.430</i>	50.800 <i>2.000</i>

# Indicates item not stocked at time of printing - Please enquire for lead time

E&OE Pricing and all details subject to change without notice - Copyright Miniature Bearings Australia Pty Ltd  
MBA Size Listings are a guide to sizes only and must not be solely relied on for critical design information.

## Bushes - Stainless Steel and PTFE - Unflanged

Part Number	Nominal ID (Di) mm	Nominal Outside Diameter (Do) mm	Length (B) mm
	<i>inches</i>	<i>inches</i>	<i>inches</i>
# BP0826-0871-0572-S6	82.550 <i>3.250</i>	87.122 <i>3.430</i>	57.150 <i>2.250</i>
# BP0826-0871-0635-S6	82.550 <i>3.250</i>	87.122 <i>3.430</i>	63.500 <i>2.500</i>
# BP0826-0871-0762-S6	82.550 <i>3.250</i>	87.122 <i>3.430</i>	76.200 <i>3.000</i>
# BP0826-0871-0889-S6	82.550 <i>3.250</i>	87.122 <i>3.430</i>	88.900 <i>3.500</i>
# BP0826-0871-0953-S6	82.550 <i>3.250</i>	87.122 <i>3.430</i>	95.250 <i>3.750</i>
# BP0826-0871-1016-S6	82.550 <i>3.250</i>	87.122 <i>3.430</i>	101.600 <i>4.000</i>
# BP0826-0871-1143-S6	82.550 <i>3.250</i>	87.122 <i>3.430</i>	114.300 <i>4.500</i>
# BP0826-0871-1207-S6	82.550 <i>3.250</i>	87.122 <i>3.430</i>	120.650 <i>4.750</i>
# BP0850-0900-0400-S6	85.000 <i>3.346</i>	90.000 <i>3.543</i>	40.000 <i>1.575</i>
# BP0850-0900-0600-S6	85.000 <i>3.346</i>	90.000 <i>3.543</i>	60.000 <i>2.362</i>

# Indicates item not stocked at time of printing - Please enquire for lead time

E&OE Pricing and all details subject to change without notice - Copyright Miniature Bearings Australia Pty Ltd  
MBA Size Listings are a guide to sizes only and must not be solely relied on for critical design information.

## Bushes - Stainless Steel and PTFE - Unflanged

Part Number	Nominal ID (Di) mm <i>inches</i>	Nominal Outside Diameter (Do) mm <i>inches</i>	Length (B) mm <i>inches</i>
# BP0850-0900-0800-S6	85.000 <i>3.346</i>	90.000 <i>3.543</i>	80.000 <i>3.150</i>
# BP0850-0900-1000-S6	85.000 <i>3.346</i>	90.000 <i>3.543</i>	100.000 <i>3.937</i>
# BP0889-0937-0508-S6	88.900 <i>3.500</i>	93.650 <i>3.687</i>	50.800 <i>2.000</i>
# BP0889-0937-0572-S6	88.900 <i>3.500</i>	93.650 <i>3.687</i>	57.150 <i>2.250</i>
# BP0889-0937-0635-S6	88.900 <i>3.500</i>	93.650 <i>3.687</i>	63.500 <i>2.500</i>
# BP0889-0937-0762-S6	88.900 <i>3.500</i>	93.650 <i>3.687</i>	76.200 <i>3.000</i>
# BP0889-0937-0889-S6	88.900 <i>3.500</i>	93.650 <i>3.687</i>	88.900 <i>3.500</i>
# BP0889-0937-0953-S6	88.900 <i>3.500</i>	93.650 <i>3.687</i>	95.250 <i>3.750</i>
# BP0889-0937-1016-S6	88.900 <i>3.500</i>	93.650 <i>3.687</i>	101.600 <i>4.000</i>
# BP0889-0937-1143-S6	88.900 <i>3.500</i>	93.650 <i>3.687</i>	114.300 <i>4.500</i>

# Indicates item not stocked at time of printing - Please enquire for lead time

E&OE Pricing and all details subject to change without notice - Copyright Miniature Bearings Australia Pty Ltd  
MBA Size Listings are a guide to sizes only and must not be solely relied on for critical design information.



## Bushes - Stainless Steel and PTFE - Unflanged

Part Number	Nominal ID (Di) mm	Nominal Outside Diameter (Do) mm	Length (B) mm
	<i>inches</i>	<i>inches</i>	<i>inches</i>
# BP0889-0937-1207-S6	88.900 <i>3.500</i>	93.650 <i>3.687</i>	120.650 <i>4.750</i>
# BP0900-0950-0400-S6	90.000 <i>3.543</i>	95.000 <i>3.740</i>	40.000 <i>1.575</i>
# BP0900-0950-0500-S6	90.000 <i>3.543</i>	95.000 <i>3.740</i>	50.000 <i>1.969</i>
# BP0900-0950-0600-S6	90.000 <i>3.543</i>	95.000 <i>3.740</i>	60.000 <i>2.362</i>
# BP0900-0950-0800-S6	90.000 <i>3.543</i>	95.000 <i>3.740</i>	80.000 <i>3.150</i>
# BP0900-0950-1000-S6	90.000 <i>3.543</i>	95.000 <i>3.740</i>	100.000 <i>3.937</i>
# BP0921-0968-0508-S6	92.075 <i>3.625</i>	96.830 <i>3.812</i>	50.800 <i>2.000</i>
# BP0921-0968-0572-S6	92.075 <i>3.625</i>	96.830 <i>3.812</i>	57.150 <i>2.250</i>
# BP0921-0968-0635-S6	92.075 <i>3.625</i>	96.830 <i>3.812</i>	63.500 <i>2.500</i>
# BP0921-0968-0762-S6	92.075 <i>3.625</i>	96.830 <i>3.812</i>	76.200 <i>3.000</i>

# Indicates item not stocked at time of printing - Please enquire for lead time

E&OE Pricing and all details subject to change without notice - Copyright Miniature Bearings Australia Pty Ltd  
MBA Size Listings are a guide to sizes only and must not be solely relied on for critical design information.

## Bushes - Stainless Steel and PTFE - Unflanged

Part Number	Nominal ID (Di) mm	Nominal Outside Diameter (Do) mm	Length (B) mm
	<i>inches</i>	<i>inches</i>	<i>inches</i>
# BP0921-0968-0889-S6	92.075 <i>3.625</i>	96.830 <i>3.812</i>	88.900 <i>3.500</i>
# BP0921-0968-0953-S6	92.075 <i>3.625</i>	96.830 <i>3.812</i>	95.250 <i>3.750</i>
# BP0921-0968-1016-S6	92.075 <i>3.625</i>	96.830 <i>3.812</i>	101.600 <i>4.000</i>
# BP0921-0968-1143-S6	92.075 <i>3.625</i>	96.830 <i>3.812</i>	114.300 <i>4.500</i>
# BP0921-0968-1207-S6	92.075 <i>3.625</i>	96.830 <i>3.812</i>	120.650 <i>4.750</i>
# BP0950-1000-0500-S6	95.000 <i>3.740</i>	100.000 <i>3.937</i>	50.000 <i>1.969</i>
# BP0950-1000-0600-S6	95.000 <i>3.740</i>	100.000 <i>3.937</i>	60.000 <i>2.362</i>
# BP0950-1000-0800-S6	95.000 <i>3.740</i>	100.000 <i>3.937</i>	80.000 <i>3.150</i>
# BP0950-1000-1000-S6	95.000 <i>3.740</i>	100.000 <i>3.937</i>	100.000 <i>3.937</i>
# BP0953-0998-0508-S6	95.250 <i>3.750</i>	99.822 <i>3.930</i>	50.800 <i>2.000</i>

# Indicates item not stocked at time of printing - Please enquire for lead time

E&OE Pricing and all details subject to change without notice - Copyright Miniature Bearings Australia Pty Ltd  
MBA Size Listings are a guide to sizes only and must not be solely relied on for critical design information.

## Bushes - Stainless Steel and PTFE - Unflanged

Part Number	Nominal ID (Di) mm	Nominal Outside Diameter (Do) mm	Length (B) mm
	<i>inches</i>	<i>inches</i>	<i>inches</i>
# BP0953-0998-0572-S6	95.250 <i>3.750</i>	99.822 <i>3.930</i>	57.150 <i>2.250</i>
# BP0953-0998-0635-S6	95.250 <i>3.750</i>	99.822 <i>3.930</i>	63.500 <i>2.500</i>
# BP0953-0998-0762-S6	95.250 <i>3.750</i>	99.822 <i>3.930</i>	76.200 <i>3.000</i>
# BP0953-0998-0889-S6	95.250 <i>3.750</i>	99.822 <i>3.930</i>	88.900 <i>3.500</i>
# BP0953-0998-0953-S6	95.250 <i>3.750</i>	99.822 <i>3.930</i>	95.250 <i>3.750</i>
# BP0953-0998-1016-S6	95.250 <i>3.750</i>	99.822 <i>3.930</i>	101.600 <i>4.000</i>
# BP0953-0998-1143-S6	95.250 <i>3.750</i>	99.822 <i>3.930</i>	114.300 <i>4.500</i>
# BP0953-0998-1207-S6	95.250 <i>3.750</i>	99.822 <i>3.930</i>	120.650 <i>4.750</i>
# BP1000-1050-0500-S6	100.000 <i>3.937</i>	105.000 <i>4.134</i>	50.000 <i>1.969</i>
# BP1000-1050-0600-S6	100.000 <i>3.937</i>	105.000 <i>4.134</i>	60.000 <i>2.362</i>

# Indicates item not stocked at time of printing - Please enquire for lead time

E&OE Pricing and all details subject to change without notice - Copyright Miniature Bearings Australia Pty Ltd  
MBA Size Listings are a guide to sizes only and must not be solely relied on for critical design information.

## Bushes - Stainless Steel and PTFE - Unflanged

Part Number	Nominal ID (Di) mm	Nominal Outside Diameter (Do) mm	Length (B) mm
	<i>inches</i>	<i>inches</i>	<i>inches</i>
# BP1000-1050-0800-S6	100.000 <i>3.937</i>	105.000 <i>4.134</i>	80.000 <i>3.150</i>
# BP1000-1050-1150-S6	100.000 <i>3.937</i>	105.000 <i>4.134</i>	115.000 <i>4.528</i>
# BP1016-1064-0508-S6	101.600 <i>4.000</i>	106.350 <i>4.187</i>	50.800 <i>2.000</i>
# BP1016-1064-0572-S6	101.600 <i>4.000</i>	106.350 <i>4.187</i>	57.150 <i>2.250</i>
# BP1016-1064-0635-S6	101.600 <i>4.000</i>	106.350 <i>4.187</i>	63.500 <i>2.500</i>
# BP1016-1064-0762-S6	101.600 <i>4.000</i>	106.350 <i>4.187</i>	76.200 <i>3.000</i>
# BP1016-1064-0889-S6	101.600 <i>4.000</i>	106.350 <i>4.187</i>	88.900 <i>3.500</i>
# BP1016-1064-0953-S6	101.600 <i>4.000</i>	106.350 <i>4.187</i>	95.250 <i>3.750</i>
# BP1016-1064-1016-S6	101.600 <i>4.000</i>	106.350 <i>4.187</i>	101.600 <i>4.000</i>
# BP1016-1064-1143-S6	101.600 <i>4.000</i>	106.350 <i>4.187</i>	114.300 <i>4.500</i>

# Indicates item not stocked at time of printing - Please enquire for lead time

E&OE Pricing and all details subject to change without notice - Copyright Miniature Bearings Australia Pty Ltd

MBA Size Listings are a guide to sizes only and must not be solely relied on for critical design information.

## Bushes - Stainless Steel and PTFE - Unflanged

Part Number	Nominal ID (Di) mm <i>inches</i>	Nominal Outside Diameter (Do) mm <i>inches</i>	Length (B) mm <i>inches</i>
# BP1016-1064-1207-S6	101.600 <i>4.000</i>	106.350 <i>4.187</i>	120.650 <i>4.750</i>
# BP1050-1100-0600-S6	105.000 <i>4.134</i>	110.000 <i>4.331</i>	60.000 <i>2.362</i>
# BP1050-1100-0800-S6	105.000 <i>4.134</i>	110.000 <i>4.331</i>	80.000 <i>3.150</i>
# BP1050-1100-1150-S6	105.000 <i>4.134</i>	110.000 <i>4.331</i>	115.000 <i>4.528</i>
# BP1080-1127-0508-S6	107.950 <i>4.250</i>	112.700 <i>4.437</i>	50.800 <i>2.000</i>
# BP1080-1127-0572-S6	107.950 <i>4.250</i>	112.700 <i>4.437</i>	57.150 <i>2.250</i>
# BP1080-1127-0635-S6	107.950 <i>4.250</i>	112.700 <i>4.437</i>	63.500 <i>2.500</i>
# BP1080-1127-0762-S6	107.950 <i>4.250</i>	112.700 <i>4.437</i>	76.200 <i>3.000</i>
# BP1080-1127-0889-S6	107.950 <i>4.250</i>	112.700 <i>4.437</i>	88.900 <i>3.500</i>
# BP1080-1127-0953-S6	107.950 <i>4.250</i>	112.700 <i>4.437</i>	95.250 <i>3.750</i>

# Indicates item not stocked at time of printing - Please enquire for lead time

E&OE Pricing and all details subject to change without notice - Copyright Miniature Bearings Australia Pty Ltd  
MBA Size Listings are a guide to sizes only and must not be solely relied on for critical design information.

## Bushes - Stainless Steel and PTFE - Unflanged

Part Number	Nominal ID (Di) mm <i>inches</i>	Nominal Outside Diameter (Do) mm <i>inches</i>	Length (B) mm <i>inches</i>
# BP1080-1127-1016-S6	107.950 <i>4.250</i>	112.700 <i>4.437</i>	101.600 <i>4.000</i>
# BP1080-1127-1143-S6	107.950 <i>4.250</i>	112.700 <i>4.437</i>	114.300 <i>4.500</i>
# BP1080-1127-1207-S6	107.950 <i>4.250</i>	112.700 <i>4.437</i>	120.650 <i>4.750</i>
# BP1100-1150-0600-S6	110.000 <i>4.331</i>	115.000 <i>4.528</i>	60.000 <i>2.362</i>
# BP1100-1150-0800-S6	110.000 <i>4.331</i>	115.000 <i>4.528</i>	80.000 <i>3.150</i>
# BP1100-1150-1150-S6	110.000 <i>4.331</i>	115.000 <i>4.528</i>	115.000 <i>4.528</i>
# BP1111-1158-0508-S6	111.125 <i>4.375</i>	115.824 <i>4.560</i>	50.800 <i>2.000</i>
# BP1111-1158-0572-S6	111.125 <i>4.375</i>	115.824 <i>4.560</i>	57.150 <i>2.250</i>
# BP1111-1158-0635-S6	111.125 <i>4.375</i>	115.824 <i>4.560</i>	63.500 <i>2.500</i>
# BP1111-1158-0762-S6	111.125 <i>4.375</i>	115.824 <i>4.560</i>	76.200 <i>3.000</i>

# Indicates item not stocked at time of printing - Please enquire for lead time

E&OE Pricing and all details subject to change without notice - Copyright Miniature Bearings Australia Pty Ltd

MBA Size Listings are a guide to sizes only and must not be solely relied on for critical design information.

## Bushes - Stainless Steel and PTFE - Unflanged

Part Number	Nominal ID (Di) mm	Nominal Outside Diameter (Do) mm	Length (B) mm
	<i>inches</i>	<i>inches</i>	<i>inches</i>
# BP1111-1158-0889-S6	111.125 <i>4.375</i>	115.824 <i>4.560</i>	88.900 <i>3.500</i>
# BP1111-1158-0953-S6	111.125 <i>4.375</i>	115.824 <i>4.560</i>	95.250 <i>3.750</i>
# BP1111-1158-1016-S6	111.125 <i>4.375</i>	115.824 <i>4.560</i>	101.600 <i>4.000</i>
# BP1111-1158-1143-S6	111.125 <i>4.375</i>	115.824 <i>4.560</i>	114.300 <i>4.500</i>
# BP1111-1158-1207-S6	111.125 <i>4.375</i>	115.824 <i>4.560</i>	120.650 <i>4.750</i>
# BP1143-1189-0508-S6	114.300 <i>4.500</i>	118.872 <i>4.680</i>	50.800 <i>2.000</i>
# BP1143-1189-0572-S6	114.300 <i>4.500</i>	118.872 <i>4.680</i>	57.150 <i>2.250</i>
# BP1143-1189-0635-S6	114.300 <i>4.500</i>	118.872 <i>4.680</i>	63.500 <i>2.500</i>
# BP1143-1189-0762-S6	114.300 <i>4.500</i>	118.872 <i>4.680</i>	76.200 <i>3.000</i>
# BP1143-1189-0889-S6	114.300 <i>4.500</i>	118.872 <i>4.680</i>	88.900 <i>3.500</i>

# Indicates item not stocked at time of printing - Please enquire for lead time

E&OE Pricing and all details subject to change without notice - Copyright Miniature Bearings Australia Pty Ltd

MBA Size Listings are a guide to sizes only and must not be solely relied on for critical design information.

## Bushes - Stainless Steel and PTFE - Unflanged

Part Number	Nominal ID (Di) mm	Nominal Outside Diameter (Do) mm	Length (B) mm
	<i>inches</i>	<i>inches</i>	<i>inches</i>
# BP1143-1189-0953-S6	114.300 <i>4.500</i>	118.872 <i>4.680</i>	95.250 <i>3.750</i>
# BP1143-1189-1016-S6	114.300 <i>4.500</i>	118.872 <i>4.680</i>	101.600 <i>4.000</i>
# BP1143-1189-1143-S6	114.300 <i>4.500</i>	118.872 <i>4.680</i>	114.300 <i>4.500</i>
# BP1143-1189-1207-S6	114.300 <i>4.500</i>	118.872 <i>4.680</i>	120.650 <i>4.750</i>
# BP1200-1250-0600-S6	120.000 <i>4.724</i>	125.000 <i>4.921</i>	60.000 <i>2.362</i>
# BP1200-1250-0800-S6	120.000 <i>4.724</i>	125.000 <i>4.921</i>	80.000 <i>3.150</i>
# BP1200-1250-1000-S6	120.000 <i>4.724</i>	125.000 <i>4.921</i>	100.000 <i>3.937</i>
# BP1207-1252-0508-S6	120.650 <i>4.750</i>	125.222 <i>4.930</i>	50.800 <i>2.000</i>
# BP1207-1252-0572-S6	120.650 <i>4.750</i>	125.222 <i>4.930</i>	57.150 <i>2.250</i>
# BP1207-1252-0635-S6	120.650 <i>4.750</i>	125.222 <i>4.930</i>	63.500 <i>2.500</i>

# Indicates item not stocked at time of printing - Please enquire for lead time

E&OE Pricing and all details subject to change without notice - Copyright Miniature Bearings Australia Pty Ltd  
MBA Size Listings are a guide to sizes only and must not be solely relied on for critical design information.



## Bushes - Stainless Steel and PTFE - Unflanged

Part Number	Nominal ID (Di) mm <i>inches</i>	Nominal Outside Diameter (Do) mm <i>inches</i>	Length (B) mm <i>inches</i>
# BP1207-1252-0762-S6	120.650 <i>4.750</i>	125.222 <i>4.930</i>	76.200 <i>3.000</i>
# BP1207-1252-0889-S6	120.650 <i>4.750</i>	125.222 <i>4.930</i>	88.900 <i>3.500</i>
# BP1207-1252-0953-S6	120.650 <i>4.750</i>	125.222 <i>4.930</i>	95.250 <i>3.750</i>
# BP1207-1252-1016-S6	120.650 <i>4.750</i>	125.222 <i>4.930</i>	101.600 <i>4.000</i>
# BP1207-1252-1143-S6	120.650 <i>4.750</i>	125.222 <i>4.930</i>	114.300 <i>4.500</i>
# BP1207-1252-1207-S6	120.650 <i>4.750</i>	125.222 <i>4.930</i>	120.650 <i>4.750</i>
# BP1250-1300-0600-S6	125.000 <i>4.921</i>	130.000 <i>5.118</i>	60.000 <i>2.362</i>
# BP1250-1300-1000-S6	125.000 <i>4.921</i>	130.000 <i>5.118</i>	100.000 <i>3.937</i>
# BP1250-1300-1150-S6	125.000 <i>4.921</i>	130.000 <i>5.118</i>	115.000 <i>4.528</i>
# BP1270-1316-0508-S6	127.000 <i>5.000</i>	131.572 <i>5.180</i>	50.800 <i>2.000</i>

# Indicates item not stocked at time of printing - Please enquire for lead time

E&OE Pricing and all details subject to change without notice - Copyright Miniature Bearings Australia Pty Ltd  
MBA Size Listings are a guide to sizes only and must not be solely relied on for critical design information.

## Bushes - Stainless Steel and PTFE - Unflanged

Part Number	Nominal ID (Di) mm	Nominal Outside Diameter (Do) mm	Length (B) mm
	<i>inches</i>	<i>inches</i>	<i>inches</i>
# BP1270-1316-0572-S6	127.000 <i>5.000</i>	131.572 <i>5.180</i>	57.150 <i>2.250</i>
# BP1270-1316-0635-S6	127.000 <i>5.000</i>	131.572 <i>5.180</i>	63.500 <i>2.500</i>
# BP1270-1316-0762-S6	127.000 <i>5.000</i>	131.572 <i>5.180</i>	76.200 <i>3.000</i>
# BP1270-1316-0889-S6	127.000 <i>5.000</i>	131.572 <i>5.180</i>	88.900 <i>3.500</i>
# BP1270-1316-0953-S6	127.000 <i>5.000</i>	131.572 <i>5.180</i>	95.250 <i>3.750</i>
# BP1270-1316-1016-S6	127.000 <i>5.000</i>	131.572 <i>5.180</i>	101.600 <i>4.000</i>
# BP1270-1316-1143-S6	127.000 <i>5.000</i>	131.572 <i>5.180</i>	114.300 <i>4.500</i>
# BP1270-1316-1207-S6	127.000 <i>5.000</i>	131.572 <i>5.180</i>	120.650 <i>4.750</i>
# BP1300-1350-0600-S6	130.000 <i>5.118</i>	135.000 <i>5.315</i>	60.000 <i>2.362</i>
# BP1300-1350-0800-S6	130.000 <i>5.118</i>	135.000 <i>5.315</i>	80.000 <i>3.150</i>

# Indicates item not stocked at time of printing - Please enquire for lead time

E&OE Pricing and all details subject to change without notice - Copyright Miniature Bearings Australia Pty Ltd

MBA Size Listings are a guide to sizes only and must not be solely relied on for critical design information.

## Bushes - Stainless Steel and PTFE - Unflanged

Part Number	Nominal ID (Di) mm <i>inches</i>	Nominal Outside Diameter (Do) mm <i>inches</i>	Length (B) mm <i>inches</i>
# BP1300-1350-1000-S6	130.000 <i>5.118</i>	135.000 <i>5.315</i>	100.800 <i>3.937</i>
# BP1334-1379-0508-S6	133.350 <i>5.250</i>	137.922 <i>5.430</i>	50.800 <i>2.000</i>
# BP1334-1379-0572-S6	133.350 <i>5.250</i>	137.922 <i>5.430</i>	57.150 <i>2.250</i>
# BP1334-1379-0635-S6	133.350 <i>5.250</i>	137.922 <i>5.430</i>	63.500 <i>2.500</i>
# BP1334-1379-0762-S6	133.350 <i>5.250</i>	137.922 <i>5.430</i>	76.200 <i>3.000</i>
# BP1334-1379-0889-S6	133.350 <i>5.250</i>	137.922 <i>5.430</i>	88.900 <i>3.500</i>
# BP1334-1379-0953-S6	133.350 <i>5.250</i>	137.922 <i>5.430</i>	95.250 <i>3.750</i>
# BP1334-1379-1016-S6	133.350 <i>5.250</i>	137.922 <i>5.430</i>	101.600 <i>4.000</i>
# BP1334-1379-1143-S6	133.350 <i>5.250</i>	137.922 <i>5.430</i>	114.300 <i>4.500</i>
# BP1334-1379-1207-S6	133.350 <i>5.250</i>	137.922 <i>5.430</i>	120.650 <i>4.750</i>

# Indicates item not stocked at time of printing - Please enquire for lead time

E&OE Pricing and all details subject to change without notice - Copyright Miniature Bearings Australia Pty Ltd  
MBA Size Listings are a guide to sizes only and must not be solely relied on for critical design information.

## Bushes - Stainless Steel and PTFE - Unflanged

Part Number	Nominal ID (Di) mm	Nominal Outside Diameter (Do) mm	Length (B) mm
	<i>inches</i>	<i>inches</i>	<i>inches</i>
# BP1397-1443-0508-S6	139.700 <i>5.500</i>	144.272 <i>5.680</i>	50.800 <i>2.000</i>
# BP1397-1443-0572-S6	139.700 <i>5.500</i>	144.272 <i>5.680</i>	57.150 <i>2.250</i>
# BP1397-1443-0635-S6	139.700 <i>5.500</i>	144.272 <i>5.680</i>	63.500 <i>2.500</i>
# BP1397-1443-0762-S6	139.700 <i>5.500</i>	144.272 <i>5.680</i>	76.200 <i>3.000</i>
# BP1397-1443-0889-S6	139.700 <i>5.500</i>	144.272 <i>5.680</i>	88.900 <i>3.500</i>
# BP1397-1443-0953-S6	139.700 <i>5.500</i>	144.272 <i>5.680</i>	95.250 <i>3.750</i>
# BP1397-1443-1016-S6	139.700 <i>5.500</i>	144.272 <i>5.680</i>	101.600 <i>4.000</i>
# BP1397-1443-1143-S6	139.700 <i>5.500</i>	144.272 <i>5.680</i>	114.300 <i>4.500</i>
# BP1397-1443-1207-S6	139.700 <i>5.500</i>	144.272 <i>5.680</i>	120.650 <i>4.750</i>
# BP1400-1450-0600-S6	140.000 <i>5.512</i>	145.000 <i>5.709</i>	60.000 <i>2.362</i>

# Indicates item not stocked at time of printing - Please enquire for lead time

E&OE Pricing and all details subject to change without notice - Copyright Miniature Bearings Australia Pty Ltd  
MBA Size Listings are a guide to sizes only and must not be solely relied on for critical design information.

## Bushes - Stainless Steel and PTFE - Unflanged

Part Number	Nominal ID (Di) mm	Nominal Outside Diameter (Do) mm	Length (B) mm
	<i>inches</i>	<i>inches</i>	<i>inches</i>
# BP1400-1450-0800-S6	140.000 <i>5.512</i>	145.000 <i>5.709</i>	80.000 <i>3.150</i>
# BP1400-1450-1000-S6	140.000 <i>5.512</i>	145.000 <i>5.709</i>	100.000 <i>3.937</i>
# BP1461-1506-0508-S6	146.050 <i>5.750</i>	150.622 <i>5.930</i>	50.800 <i>2.000</i>
# BP1461-1506-0572-S6	146.050 <i>5.750</i>	150.622 <i>5.930</i>	57.150 <i>2.250</i>
# BP1461-1506-0635-S6	146.050 <i>5.750</i>	150.622 <i>5.930</i>	63.500 <i>2.500</i>
# BP1461-1506-0762-S6	146.050 <i>5.750</i>	150.622 <i>5.930</i>	76.200 <i>3.000</i>
# BP1461-1506-0889-S6	146.050 <i>5.750</i>	150.622 <i>5.930</i>	88.900 <i>3.500</i>
# BP1461-1506-0953-S6	146.050 <i>5.750</i>	150.622 <i>5.930</i>	95.250 <i>3.750</i>
# BP1461-1506-1016-S6	146.050 <i>5.750</i>	150.622 <i>5.930</i>	101.600 <i>4.000</i>
# BP1461-1506-1143-S6	146.050 <i>5.750</i>	150.622 <i>5.930</i>	114.300 <i>4.500</i>

# Indicates item not stocked at time of printing - Please enquire for lead time

E&OE Pricing and all details subject to change without notice - Copyright Miniature Bearings Australia Pty Ltd

MBA Size Listings are a guide to sizes only and must not be solely relied on for critical design information.

## Bushes - Stainless Steel and PTFE - Unflanged

Part Number	Nominal ID (Di) mm	Nominal Outside Diameter (Do) mm	Length (B) mm
	<i>inches</i>	<i>inches</i>	<i>inches</i>
# BP1461-1506-1207-S6	146.050 <i>5.750</i>	150.622 <i>5.930</i>	120.650 <i>4.750</i>
# BP1500-1550-0600-S6	150.000 <i>5.906</i>	155.000 <i>6.102</i>	60.000 <i>2.362</i>
# BP1500-1550-0800-S6	150.000 <i>5.906</i>	155.000 <i>6.102</i>	80.000 <i>3.150</i>
# BP1500-1550-1000-S6	150.000 <i>5.906</i>	155.000 <i>6.102</i>	100.000 <i>3.937</i>
# BP1524-1572-0508-S6	152.400 <i>6.000</i>	157.150 <i>6.187</i>	50.800 <i>2.000</i>
# BP1524-1572-0572-S6	152.400 <i>6.000</i>	157.150 <i>6.187</i>	57.150 <i>2.250</i>
# BP1524-1572-0635-S6	152.400 <i>6.000</i>	157.150 <i>6.187</i>	63.500 <i>2.500</i>
# BP1524-1572-0762-S6	152.400 <i>6.000</i>	157.150 <i>6.187</i>	76.200 <i>3.000</i>
# BP1524-1572-0889-S6	152.400 <i>6.000</i>	157.150 <i>6.187</i>	88.900 <i>3.500</i>
# BP1524-1572-0953-S6	152.400 <i>6.000</i>	157.150 <i>6.187</i>	95.250 <i>3.750</i>

# Indicates item not stocked at time of printing - Please enquire for lead time

E&OE Pricing and all details subject to change without notice - Copyright Miniature Bearings Australia Pty Ltd  
MBA Size Listings are a guide to sizes only and must not be solely relied on for critical design information.

## Bushes - Stainless Steel and PTFE - Unflanged

Part Number	Nominal ID (Di) mm	Nominal Outside Diameter (Do) mm	Length (B) mm
	<i>inches</i>	<i>inches</i>	<i>inches</i>
# BP1524-1572-1016-S6	152.400 <i>6.000</i>	157.150 <i>6.187</i>	101.600 <i>4.000</i>
# BP1524-1572-1143-S6	152.400 <i>6.000</i>	157.150 <i>6.187</i>	114.300 <i>4.500</i>
# BP1524-1572-1207-S6	152.400 <i>6.000</i>	157.150 <i>6.187</i>	120.650 <i>4.750</i>
# BP1588-1635-0508-S6	158.750 <i>6.250</i>	163.513 <i>6.438</i>	50.800 <i>2.000</i>
# BP1588-1635-0572-S6	158.750 <i>6.250</i>	163.513 <i>6.438</i>	57.150 <i>2.250</i>
# BP1588-1635-0635-S6	158.750 <i>6.250</i>	163.513 <i>6.438</i>	63.500 <i>2.500</i>
# BP1588-1635-0762-S6	158.750 <i>6.250</i>	163.513 <i>6.438</i>	76.200 <i>3.000</i>
# BP1588-1635-0889-S6	158.750 <i>6.250</i>	163.513 <i>6.438</i>	88.900 <i>3.500</i>
# BP1588-1635-0953-S6	158.750 <i>6.250</i>	163.513 <i>6.438</i>	95.250 <i>3.750</i>
# BP1588-1635-1016-S6	158.750 <i>6.250</i>	163.513 <i>6.438</i>	101.600 <i>4.000</i>

# Indicates item not stocked at time of printing - Please enquire for lead time

E&OE Pricing and all details subject to change without notice - Copyright Miniature Bearings Australia Pty Ltd

MBA Size Listings are a guide to sizes only and must not be solely relied on for critical design information.

## Bushes - Stainless Steel and PTFE - Unflanged

Part Number	Nominal ID (Di) mm <i>inches</i>	Nominal Outside Diameter (Do) mm <i>inches</i>	Length (B) mm <i>inches</i>
# BP1588-1635-1143-S6	158.750 <i>6.250</i>	163.513 <i>6.438</i>	114.300 <i>4.500</i>
# BP1588-1635-1207-S6	158.750 <i>6.250</i>	163.513 <i>6.438</i>	120.650 <i>4.750</i>
# BP1600-1650-0600-S6	160.000 <i>6.299</i>	165.000 <i>6.496</i>	60.000 <i>2.362</i>
# BP1600-1650-0800-S6	160.000 <i>6.299</i>	165.000 <i>6.496</i>	80.000 <i>3.150</i>
# BP1600-1650-1000-S6	160.000 <i>6.299</i>	165.000 <i>6.496</i>	100.000 <i>3.937</i>
# BP1600-1650-1150-S6	160.000 <i>6.299</i>	165.000 <i>6.496</i>	115.000 <i>4.528</i>
# BP1651-1697-0508-S6	165.100 <i>6.500</i>	169.672 <i>6.680</i>	50.800 <i>2.000</i>
# BP1651-1697-0572-S6	165.100 <i>6.500</i>	169.672 <i>6.680</i>	57.150 <i>2.250</i>
# BP1651-1697-0635-S6	165.100 <i>6.500</i>	169.672 <i>6.680</i>	63.500 <i>2.500</i>
# BP1651-1697-0762-S6	165.100 <i>6.500</i>	169.672 <i>6.680</i>	76.200 <i>3.000</i>

# Indicates item not stocked at time of printing - Please enquire for lead time

E&OE Pricing and all details subject to change without notice - Copyright Miniature Bearings Australia Pty Ltd

MBA Size Listings are a guide to sizes only and must not be solely relied on for critical design information.



## Bushes - Stainless Steel and PTFE - Unflanged

Part Number	Nominal ID (Di) mm <i>inches</i>	Nominal Outside Diameter (Do) mm <i>inches</i>	Length (B) mm <i>inches</i>
# BP1651-1697-0889-S6	165.100 <i>6.500</i>	169.672 <i>6.680</i>	88.900 <i>3.500</i>
# BP1651-1697-0953-S6	165.100 <i>6.500</i>	169.672 <i>6.680</i>	95.250 <i>3.750</i>
# BP1651-1697-1016-S6	165.100 <i>6.500</i>	169.672 <i>6.680</i>	101.600 <i>4.000</i>
# BP1651-1697-1143-S6	165.100 <i>6.500</i>	169.672 <i>6.680</i>	114.300 <i>4.500</i>
# BP1651-1697-1207-S6	165.100 <i>6.500</i>	169.672 <i>6.680</i>	120.650 <i>4.750</i>
# BP1715-1760-0508-S6	171.450 <i>6.750</i>	176.022 <i>6.930</i>	50.800 <i>2.000</i>
# BP1715-1760-0572-S6	171.450 <i>6.750</i>	176.022 <i>6.930</i>	57.150 <i>2.250</i>
# BP1715-1760-0635-S6	171.450 <i>6.750</i>	176.022 <i>6.930</i>	63.500 <i>2.500</i>
# BP1715-1760-0762-S6	171.450 <i>6.750</i>	176.022 <i>6.930</i>	76.200 <i>3.000</i>
# BP1715-1760-0889-S6	171.450 <i>6.750</i>	176.022 <i>6.930</i>	88.900 <i>3.500</i>

# Indicates item not stocked at time of printing - Please enquire for lead time

E&OE Pricing and all details subject to change without notice - Copyright Miniature Bearings Australia Pty Ltd

MBA Size Listings are a guide to sizes only and must not be solely relied on for critical design information.

## Bushes - Stainless Steel and PTFE - Unflanged

Part Number	Nominal ID (Di) mm	Nominal Outside Diameter (Do) mm	Length (B) mm
	<i>inches</i>	<i>inches</i>	<i>inches</i>
# BP1715-1760-0953-S6	171.450 <i>6.750</i>	176.022 <i>6.930</i>	95.250 <i>3.750</i>
# BP1715-1760-1016-S6	171.450 <i>6.750</i>	176.022 <i>6.930</i>	101.600 <i>4.000</i>
# BP1715-1760-1143-S6	171.450 <i>6.750</i>	176.022 <i>6.930</i>	114.300 <i>4.500</i>
# BP1715-1760-1207-S6	171.450 <i>6.750</i>	176.022 <i>6.930</i>	120.650 <i>4.750</i>
# BP1778-1824-0508-S6	177.800 <i>7.000</i>	182.372 <i>7.180</i>	50.800 <i>2.000</i>
# BP1778-1824-0572-S6	177.800 <i>7.000</i>	182.372 <i>7.180</i>	57.150 <i>2.250</i>
# BP1778-1824-0635-S6	177.800 <i>7.000</i>	182.372 <i>7.180</i>	63.500 <i>2.500</i>
# BP1778-1824-0762-S6	177.800 <i>7.000</i>	182.372 <i>7.180</i>	76.200 <i>3.000</i>
# BP1778-1824-0889-S6	177.800 <i>7.000</i>	182.372 <i>7.180</i>	88.900 <i>3.500</i>
# BP1778-1824-0953-S6	177.800 <i>7.000</i>	182.372 <i>7.180</i>	95.250 <i>3.750</i>

# Indicates item not stocked at time of printing - Please enquire for lead time

E&OE Pricing and all details subject to change without notice - Copyright Miniature Bearings Australia Pty Ltd

MBA Size Listings are a guide to sizes only and must not be solely relied on for critical design information.

## Bushes - Stainless Steel and PTFE - Unflanged

Part Number	Nominal ID (Di) mm <i>inches</i>	Nominal Outside Diameter (Do) mm <i>inches</i>	Length (B) mm <i>inches</i>
# BP1778-1824-1016-S6	177.800 <i>7.000</i>	182.372 <i>7.180</i>	101.600 <i>4.000</i>
# BP1778-1824-1143-S6	177.800 <i>7.000</i>	182.372 <i>7.180</i>	114.300 <i>4.500</i>
# BP1778-1824-1207-S6	177.800 <i>7.000</i>	182.372 <i>7.180</i>	120.650 <i>4.750</i>
# BP1800-1850-0800-S6	180.000 <i>7.087</i>	185.000 <i>7.283</i>	80.000 <i>3.150</i>
# BP1800-1850-1000-S6	180.000 <i>7.087</i>	185.000 <i>7.283</i>	100.000 <i>3.937</i>
# BP1900-1950-0800-S6	190.000 <i>7.480</i>	195.000 <i>7.677</i>	80.000 <i>3.150</i>
# BP1900-1950-1000-S6	190.000 <i>7.480</i>	195.000 <i>7.677</i>	100.000 <i>3.937</i>
# BP2000-2050-0600-S6	200.000 <i>7.874</i>	205.000 <i>8.071</i>	60.000 <i>2.362</i>
# BP2000-2050-0800-S6	200.000 <i>7.874</i>	205.000 <i>8.071</i>	80.000 <i>3.150</i>
# BP2000-2050-1000-S6	200.000 <i>7.874</i>	205.000 <i>8.071</i>	100.000 <i>3.937</i>

# Indicates item not stocked at time of printing - Please enquire for lead time

E&OE Pricing and all details subject to change without notice - Copyright Miniature Bearings Australia Pty Ltd

MBA Size Listings are a guide to sizes only and must not be solely relied on for critical design information.

## Bushes - Stainless Steel and PTFE - Unflanged

Part Number	Nominal ID (Di) mm <i>inches</i>	Nominal Outside Diameter (Do) mm <i>inches</i>	Length (B) mm <i>inches</i>
# BP2200-2250-0800-S6	220.000 <i>8.661</i>	225.000 <i>8.858</i>	80.000 <i>3.150</i>
# BP2200-2250-1000-S6	220.000 <i>8.661</i>	225.000 <i>8.858</i>	100.000 <i>3.937</i>
# BP2500-2550-0800-S6	250.000 <i>9.843</i>	255.000 <i>10.039</i>	80.000 <i>3.150</i>
# BP2500-2550-1000-S6	250.000 <i>9.843</i>	255.000 <i>10.039</i>	100.000 <i>3.937</i>
# BP2600-2650-0800-S6	260.000 <i>10.236</i>	265.000 <i>10.433</i>	80.000 <i>3.150</i>
# BP2600-2650-1000-S6	260.000 <i>10.236</i>	265.000 <i>10.433</i>	100.000 <i>3.937</i>
# BP2800-2850-0800-S6	280.000 <i>11.024</i>	285.000 <i>11.220</i>	80.000 <i>3.150</i>
# BP2800-2850-1000-S6	280.000 <i>11.024</i>	285.000 <i>11.220</i>	100.000 <i>3.937</i>
# BP3000-3050-0800-S6	300.000 <i>11.811</i>	305.000 <i>12.008</i>	80.000 <i>3.150</i>
# BP3000-3050-1000-S6	300.000 <i>11.811</i>	305.000 <i>12.008</i>	100.000 <i>3.937</i>

# Indicates item not stocked at time of printing - Please enquire for lead time

E&OE Pricing and all details subject to change without notice - Copyright Miniature Bearings Australia Pty Ltd

MBA Size Listings are a guide to sizes only and must not be solely relied on for critical design information.

DISTRIBUTED BY

