



Bushes - Steel - DU - Split - Unflanged

6/4/2018

Indicates item not stocked at time of printing - Please enquire for lead time

E&OE Pricing and all details subject to change without notice - Copyright Miniature Bearings Australia Pty Ltd

MBA Size Listings are a guide to sizes only and must not be solely relied on for critical design information.

Page 1 of 56

INFORMATION

Composite bearing material consisting of 3 bonded layers; Steel backing bonded with porous sintered bronze interlayer which is impregnated and overlaid with polytetrafluoroethylene (PTFE).

Operating Temperature -200^o to 280^o Celsius. Maximum load 250N/mm².

Requires No lubrication, provides maintenance free operation. Exhibits low wear rate, Seizure resistant.

High Static and Dynamic Load capacity, Good frictional properties with negligible stick-slip. Resists Solvents, Compact and light.

No water Absorption, Electrically conductive and shows no electrostatic effects, Good embedability and is tolerant of dusty environments.

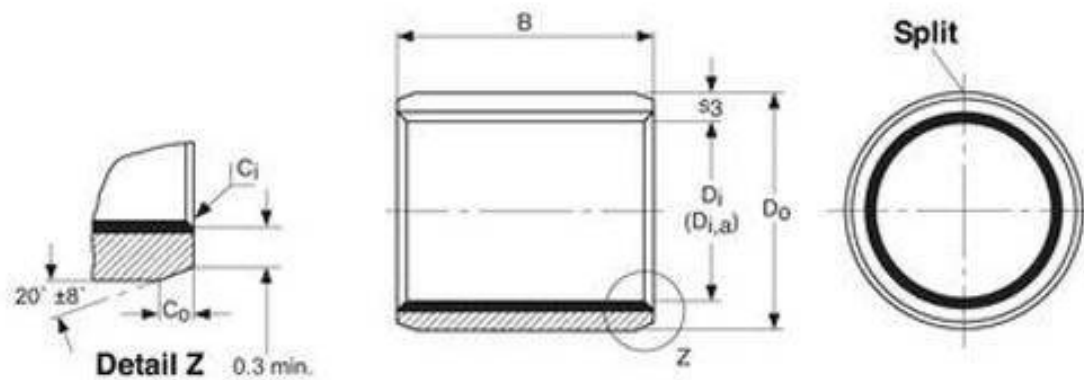
Good embedability and is tolerant of dusty environments.

This catalogue to be read in conjunction with information at <http://www.minibearings.com.au/Limit in oil 5 metres per second>

Indicates item not stocked at time of printing - Please enquire for lead time

E&OE Pricing and all details subject to change without notice - Copyright Miniature Bearings Australia Pty Ltd

MBA Size Listings are a guide to sizes only and must not be solely relied on for critical design information.



Indicates item not stocked at time of printing - Please enquire for lead time

E&OE Pricing and all details subject to change without notice - Copyright Miniature Bearings Australia Pty Ltd

MBA Size Listings are a guide to sizes only and must not be solely relied on for critical design information.

Bushes - Steel - DU - Split - Unflanged

| Part Number | Nominal ID (Di) mm <i>inches</i> | Nominal Outside Diameter (Do) mm <i>inches</i> | Length (B) mm <i>inches</i> |
|-----------------------|-------------------------------------|---------------------------------------------------|--------------------------------|
| # BP0020-0035-0030-DU | 2.000 <i>0.079</i> | 3.500 <i>0.138</i> | 3.000 <i>0.118</i> |
| # BP0020-0035-0050-DU | 2.000 <i>0.079</i> | 3.500 <i>0.138</i> | 5.000 <i>0.197</i> |
| # BP0030-0045-0030-DU | 3.000 <i>0.118</i> | 4.500 <i>0.177</i> | 3.000 <i>0.118</i> |
| # BP0030-0045-0050-DU | 3.000 <i>0.118</i> | 4.500 <i>0.177</i> | 5.000 <i>0.197</i> |
| BP0030-0045-0060-DU | 3.000 <i>0.118</i> | 4.500 <i>0.177</i> | 6.000 <i>0.236</i> |
| BP0032-0048-0032-DU | 3.175 <i>0.125</i> | 4.763 <i>0.188</i> | 3.175 <i>0.125</i> |
| # BP0032-0048-0048-DU | 3.175 <i>0.125</i> | 4.763 <i>0.188</i> | 4.763 <i>0.188</i> |
| # BP0039-0056-0040-DU | 3.937 <i>0.155</i> | 5.556 <i>0.219</i> | 3.969 <i>0.156</i> |
| # BP0039-0056-0064-DU | 3.937 <i>0.155</i> | 5.556 <i>0.219</i> | 6.350 <i>0.250</i> |
| # BP0040-0055-0030-DU | 4.000 <i>0.157</i> | 5.500 <i>0.217</i> | 3.000 <i>0.118</i> |

Indicates item not stocked at time of printing - Please enquire for lead time

E&OE Pricing and all details subject to change without notice - Copyright Miniature Bearings Australia Pty Ltd

MBA Size Listings are a guide to sizes only and must not be solely relied on for critical design information.

Bushes - Steel - DU - Split - Unflanged

| Part Number | Nominal ID (Di) mm | Nominal Outside Diameter (Do) mm | Length (B) mm |
|-----------------------|-----------------------|----------------------------------|------------------------|
| | <i>inches</i> | <i>inches</i> | <i>inches</i> |
| # BP0040-0055-0040-DU | 4.000 <i>0.157</i> | 5.500 <i>0.217</i> | 4.000 <i>0.157</i> |
| # BP0040-0055-0060-DU | 4.000 <i>0.157</i> | 5.500 <i>0.217</i> | 6.000 <i>0.236</i> |
| # BP0040-0055-0100-DU | 4.000 <i>0.157</i> | 5.500 <i>0.217</i> | 10.000 <i>0.394</i> |
| BP0048-0064-0048-DU | 4.763 <i>0.188</i> | 6.350 <i>0.250</i> | 4.763 <i>0.188</i> |
| # BP0048-0064-0064-DU | 4.763 <i>0.188</i> | 6.350 <i>0.250</i> | 6.350 <i>0.250</i> |
| # BP0048-0064-0095-DU | 4.763 <i>0.188</i> | 6.350 <i>0.250</i> | 9.525 <i>0.375</i> |
| # BP0050-0070-0050-DU | 5.000 <i>0.197</i> | 7.000 <i>0.276</i> | 5.000 <i>0.197</i> |
| # BP0050-0070-0080-DU | 5.000 <i>0.197</i> | 7.000 <i>0.276</i> | 8.000 <i>0.315</i> |
| # BP0050-0070-0100-DU | 5.000 <i>0.197</i> | 7.000 <i>0.276</i> | 10.000 <i>0.394</i> |
| # BP0060-0080-0040-DU | 6.000 <i>0.236</i> | 8.000 <i>0.315</i> | 4.000 <i>0.157</i> |

Indicates item not stocked at time of printing - Please enquire for lead time

E&OE Pricing and all details subject to change without notice - Copyright Miniature Bearings Australia Pty Ltd

MBA Size Listings are a guide to sizes only and must not be solely relied on for critical design information.

Bushes - Steel - DU - Split - Unflanged

| Part Number | Nominal ID (Di) mm <i>inches</i> | Nominal Outside Diameter (Do) mm <i>inches</i> | Length (B) mm <i>inches</i> |
|-----------------------|-------------------------------------|---------------------------------------------------|--------------------------------|
| # BP0060-0080-0060-DU | 6.000 <i>0.236</i> | 8.000 <i>0.315</i> | 6.000 <i>0.236</i> |
| # BP0060-0080-0080-DU | 6.000 <i>0.236</i> | 8.000 <i>0.315</i> | 8.000 <i>0.315</i> |
| # BP0060-0080-0100-DU | 6.000 <i>0.236</i> | 8.000 <i>0.315</i> | 10.000 <i>0.394</i> |
| # BP0064-0079-0064-DU | 6.350 <i>0.250</i> | 7.925 <i>0.312</i> | 6.350 <i>0.250</i> |
| # BP0064-0079-0095-DU | 6.350 <i>0.250</i> | 7.925 <i>0.312</i> | 9.525 <i>0.375</i> |
| BP0064-0079-0127-DU | 6.350 <i>0.250</i> | 7.938 <i>0.313</i> | 12.700 <i>0.500</i> |
| # BP0070-0090-0050-DU | 7.000 <i>0.276</i> | 9.000 <i>0.354</i> | 5.000 <i>0.197</i> |
| # BP0070-0090-0100-DU | 7.000 <i>0.276</i> | 9.000 <i>0.354</i> | 10.000 <i>0.394</i> |
| # BP0079-0095-0095-DU | 7.938 <i>0.313</i> | 9.525 <i>0.375</i> | 9.525 <i>0.375</i> |
| # BP0079-0095-0127-DU | 7.938 <i>0.313</i> | 9.525 <i>0.375</i> | 12.700 <i>0.500</i> |

Indicates item not stocked at time of printing - Please enquire for lead time

E&OE Pricing and all details subject to change without notice - Copyright Miniature Bearings Australia Pty Ltd

MBA Size Listings are a guide to sizes only and must not be solely relied on for critical design information.

Bushes - Steel - DU - Split - Unflanged

| Part Number | Nominal ID (Di) mm | Nominal Outside Diameter (Do) mm | Length (B) mm |
|-----------------------|-----------------------|----------------------------------|------------------------|
| | <i>inches</i> | <i>inches</i> | <i>inches</i> |
| # BP0080-0100-0060-DU | 8.000 <i>0.315</i> | 10.000 <i>0.394</i> | 6.000 <i>0.236</i> |
| # BP0080-0100-0080-DU | 8.000 <i>0.315</i> | 10.000 <i>0.394</i> | 8.000 <i>0.315</i> |
| # BP0080-0100-0100-DU | 8.000 <i>0.315</i> | 10.000 <i>0.394</i> | 10.000 <i>0.394</i> |
| # BP0080-0100-0120-DU | 8.000 <i>0.315</i> | 10.000 <i>0.394</i> | 12.000 <i>0.472</i> |
| BP0080-0100-0150-DU | 8.000 <i>0.315</i> | 10.000 <i>0.394</i> | 15.000 <i>0.591</i> |
| # BP0095-0119-0048-DU | 9.525 <i>0.375</i> | 11.906 <i>0.469</i> | 4.763 <i>0.188</i> |
| # BP0095-0119-0064-DU | 9.525 <i>0.375</i> | 11.906 <i>0.469</i> | 6.350 <i>0.250</i> |
| BP0095-0119-0095-DU | 9.525 <i>0.375</i> | 11.906 <i>0.469</i> | 9.525 <i>0.375</i> |
| # BP0095-0119-0127-DU | 9.525 <i>0.375</i> | 11.906 <i>0.469</i> | 12.700 <i>0.500</i> |
| # BP0095-0119-0159-DU | 9.525 <i>0.375</i> | 11.906 <i>0.469</i> | 15.875 <i>0.625</i> |

Indicates item not stocked at time of printing - Please enquire for lead time

E&OE Pricing and all details subject to change without notice - Copyright Miniature Bearings Australia Pty Ltd

MBA Size Listings are a guide to sizes only and must not be solely relied on for critical design information.

Bushes - Steel - DU - Split - Unflanged

| Part Number | Nominal ID (Di) mm <i>inches</i> | Nominal Outside Diameter (Do) mm <i>inches</i> | Length (B) mm <i>inches</i> |
|-----------------------|-------------------------------------|---------------------------------------------------|--------------------------------|
| # BP0095-0119-0191-DU | 9.525 <i>0.375</i> | 11.906 <i>0.469</i> | 19.050 <i>0.750</i> |
| # BP0100-0120-0060-DU | 10.000 <i>0.394</i> | 12.000 <i>0.472</i> | 6.000 <i>0.236</i> |
| # BP0100-0120-0080-DU | 10.000 <i>0.394</i> | 12.000 <i>0.472</i> | 8.000 <i>0.315</i> |
| BP0100-0120-0100-DU | 10.000 <i>0.394</i> | 12.000 <i>0.472</i> | 10.000 <i>0.394</i> |
| # BP0100-0120-0120-DU | 10.000 <i>0.394</i> | 12.000 <i>0.472</i> | 12.000 <i>0.472</i> |
| # BP0100-0120-0150-DU | 10.000 <i>0.394</i> | 12.000 <i>0.472</i> | 15.000 <i>0.591</i> |
| # BP0100-0120-0200-DU | 10.000 <i>0.394</i> | 12.000 <i>0.472</i> | 20.000 <i>0.787</i> |
| # BP0111-0135-0127-DU | 11.113 <i>0.438</i> | 13.494 <i>0.531</i> | 12.700 <i>0.500</i> |
| BP0111-0135-0191-DU | 11.113 <i>0.438</i> | 13.494 <i>0.531</i> | 19.050 <i>0.750</i> |
| # BP0120-0140-0060-DU | 12.000 <i>0.472</i> | 14.000 <i>0.551</i> | 6.000 <i>0.236</i> |

Indicates item not stocked at time of printing - Please enquire for lead time

E&OE Pricing and all details subject to change without notice - Copyright Miniature Bearings Australia Pty Ltd
MBA Size Listings are a guide to sizes only and must not be solely relied on for critical design information.

Bushes - Steel - DU - Split - Unflanged

| Part Number | Nominal ID (Di) mm <i>inches</i> | Nominal Outside Diameter (Do) mm <i>inches</i> | Length (B) mm <i>inches</i> |
|-----------------------|-------------------------------------|---------------------------------------------------|--------------------------------|
| # BP0120-0140-0080-DU | 12.000 <i>0.472</i> | 14.000 <i>0.551</i> | 8.000 <i>0.315</i> |
| BP0120-0140-0100-DU | 12.000 <i>0.472</i> | 14.000 <i>0.551</i> | 10.000 <i>0.394</i> |
| BP0120-0140-0120-DU | 12.000 <i>0.472</i> | 14.000 <i>0.551</i> | 12.000 <i>0.472</i> |
| # BP0120-0140-0150-DU | 12.000 <i>0.472</i> | 14.000 <i>0.551</i> | 15.000 <i>0.591</i> |
| # BP0120-0140-0200-DU | 12.000 <i>0.472</i> | 14.000 <i>0.551</i> | 20.000 <i>0.787</i> |
| # BP0120-0140-0250-DU | 12.000 <i>0.472</i> | 14.000 <i>0.551</i> | 25.000 <i>0.984</i> |
| # BP0127-0151-0064-DU | 12.700 <i>0.500</i> | 15.081 <i>0.594</i> | 6.350 <i>0.250</i> |
| # BP0127-0151-0095-DU | 12.700 <i>0.500</i> | 15.081 <i>0.594</i> | 9.525 <i>0.375</i> |
| # BP0127-0151-0127-DU | 12.700 <i>0.500</i> | 15.081 <i>0.594</i> | 12.700 <i>0.500</i> |
| # BP0127-0151-0159-DU | 12.700 <i>0.500</i> | 15.081 <i>0.594</i> | 15.875 <i>0.625</i> |

Indicates item not stocked at time of printing - Please enquire for lead time

E&OE Pricing and all details subject to change without notice - Copyright Miniature Bearings Australia Pty Ltd

MBA Size Listings are a guide to sizes only and must not be solely relied on for critical design information.

Bushes - Steel - DU - Split - Unflanged

| Part Number | Nominal ID (Di) mm <i>inches</i> | Nominal Outside Diameter (Do) mm <i>inches</i> | Length (B) mm <i>inches</i> |
|-----------------------|-------------------------------------|---------------------------------------------------|--------------------------------|
| # BP0127-0151-0191-DU | 12.700 <i>0.500</i> | 15.081 <i>0.594</i> | 19.050 <i>0.750</i> |
| # BP0127-0151-0222-DU | 12.700 <i>0.500</i> | 15.081 <i>0.594</i> | 22.225 <i>0.875</i> |
| # BP0130-0150-0100-DU | 13.000 <i>0.512</i> | 15.000 <i>0.591</i> | 10.000 <i>0.394</i> |
| # BP0130-0150-0200-DU | 13.000 <i>0.512</i> | 15.000 <i>0.591</i> | 20.000 <i>0.787</i> |
| # BP0140-0160-0050-DU | 14.000 <i>0.551</i> | 16.000 <i>0.630</i> | 5.000 <i>0.197</i> |
| # BP0140-0160-0100-DU | 14.000 <i>0.551</i> | 16.000 <i>0.630</i> | 10.000 <i>0.394</i> |
| # BP0140-0160-0120-DU | 14.000 <i>0.551</i> | 16.000 <i>0.630</i> | 12.000 <i>0.472</i> |
| # BP0140-0160-0150-DU | 14.000 <i>0.551</i> | 16.000 <i>0.630</i> | 15.000 <i>0.591</i> |
| # BP0140-0160-0200-DU | 14.000 <i>0.551</i> | 16.000 <i>0.630</i> | 20.000 <i>0.787</i> |
| # BP0140-0160-0250-DU | 14.000 <i>0.551</i> | 16.000 <i>0.630</i> | 25.000 <i>0.984</i> |

Indicates item not stocked at time of printing - Please enquire for lead time

E&OE Pricing and all details subject to change without notice - Copyright Miniature Bearings Australia Pty Ltd

MBA Size Listings are a guide to sizes only and must not be solely relied on for critical design information.

Bushes - Steel - DU - Split - Unflanged

| Part Number | Nominal ID (Di) mm | Nominal Outside Diameter (Do) mm | Length (B) mm |
|-----------------------|------------------------|----------------------------------|------------------------|
| | <i>inches</i> | <i>inches</i> | <i>inches</i> |
| # BP0143-0167-0095-DU | 14.288 <i>0.563</i> | 16.669 <i>0.656</i> | 9.525 <i>0.375</i> |
| # BP0143-0167-0127-DU | 14.288 <i>0.563</i> | 16.669 <i>0.656</i> | 12.700 <i>0.500</i> |
| # BP0143-0167-0159-DU | 14.288 <i>0.563</i> | 16.669 <i>0.656</i> | 15.875 <i>0.625</i> |
| # BP0143-0167-0191-DU | 14.288 <i>0.563</i> | 16.669 <i>0.656</i> | 19.050 <i>0.750</i> |
| # BP0150-0170-0100-DU | 15.000 <i>0.591</i> | 17.000 <i>0.669</i> | 10.000 <i>0.394</i> |
| # BP0150-0170-0120-DU | 15.000 <i>0.591</i> | 17.000 <i>0.669</i> | 12.000 <i>0.472</i> |
| # BP0150-0170-0150-DU | 15.000 <i>0.591</i> | 17.000 <i>0.669</i> | 15.000 <i>0.591</i> |
| # BP0150-0170-0200-DU | 15.000 <i>0.591</i> | 17.000 <i>0.669</i> | 20.000 <i>0.787</i> |
| # BP0150-0170-0250-DU | 15.000 <i>0.591</i> | 17.000 <i>0.669</i> | 25.000 <i>0.984</i> |
| # BP0159-0183-0064-DU | 15.875 <i>0.625</i> | 18.256 <i>0.719</i> | 6.350 <i>0.250</i> |

Indicates item not stocked at time of printing - Please enquire for lead time

E&OE Pricing and all details subject to change without notice - Copyright Miniature Bearings Australia Pty Ltd
MBA Size Listings are a guide to sizes only and must not be solely relied on for critical design information.

Bushes - Steel - DU - Split - Unflanged

| Part Number | Nominal ID (Di) mm | Nominal Outside Diameter (Do) mm | Length (B) mm |
|-----------------------|------------------------|----------------------------------|------------------------|
| | <i>inches</i> | <i>inches</i> | <i>inches</i> |
| # BP0159-0183-0127-DU | 15.875 <i>0.625</i> | 18.256 <i>0.719</i> | 12.700 <i>0.500</i> |
| # BP0159-0183-0159-DU | 15.875 <i>0.625</i> | 18.256 <i>0.719</i> | 15.875 <i>0.625</i> |
| # BP0159-0183-0191-DU | 15.875 <i>0.625</i> | 18.256 <i>0.719</i> | 19.050 <i>0.750</i> |
| # BP0159-0183-0222-DU | 15.875 <i>0.625</i> | 18.256 <i>0.719</i> | 22.225 <i>0.875</i> |
| # BP0159-0183-0254-DU | 15.875 <i>0.625</i> | 18.256 <i>0.719</i> | 25.400 <i>1.000</i> |
| # BP0160-0180-0100-DU | 16.000 <i>0.630</i> | 18.000 <i>0.709</i> | 10.000 <i>0.394</i> |
| # BP0160-0180-0120-DU | 16.000 <i>0.630</i> | 18.000 <i>0.709</i> | 12.000 <i>0.472</i> |
| # BP0160-0180-0150-DU | 16.000 <i>0.630</i> | 18.000 <i>0.709</i> | 15.000 <i>0.591</i> |
| BP0160-0180-0200-DU | 16.000 <i>0.630</i> | 18.000 <i>0.709</i> | 20.000 <i>0.787</i> |
| # BP0160-0180-0250-DU | 16.000 <i>0.630</i> | 18.000 <i>0.709</i> | 25.000 <i>0.984</i> |

Indicates item not stocked at time of printing - Please enquire for lead time

E&OE Pricing and all details subject to change without notice - Copyright Miniature Bearings Australia Pty Ltd

MBA Size Listings are a guide to sizes only and must not be solely relied on for critical design information.

Bushes - Steel - DU - Split - Unflanged

| Part Number | Nominal ID (Di) mm | Nominal Outside Diameter (Do) mm | Length (B) mm |
|-----------------------|------------------------|----------------------------------|------------------------|
| | <i>inches</i> | <i>inches</i> | <i>inches</i> |
| # BP0170-0190-0100-DU | 17.000 <i>0.669</i> | 19.000 <i>0.748</i> | 10.000 <i>0.394</i> |
| # BP0170-0190-0200-DU | 17.000 <i>0.669</i> | 19.000 <i>0.748</i> | 20.000 <i>0.787</i> |
| # BP0175-0198-0222-DU | 17.463 <i>0.688</i> | 19.844 <i>0.781</i> | 22.225 <i>0.875</i> |
| # BP0180-0200-0100-DU | 18.000 <i>0.709</i> | 20.000 <i>0.787</i> | 10.000 <i>0.394</i> |
| # BP0180-0200-0120-DU | 18.000 <i>0.709</i> | 20.000 <i>0.787</i> | 12.000 <i>0.472</i> |
| # BP0180-0200-0150-DU | 18.000 <i>0.709</i> | 20.000 <i>0.787</i> | 15.000 <i>0.591</i> |
| # BP0180-0200-0200-DU | 18.000 <i>0.709</i> | 20.000 <i>0.787</i> | 20.000 <i>0.787</i> |
| # BP0180-0200-0250-DU | 18.000 <i>0.709</i> | 20.000 <i>0.787</i> | 25.000 <i>0.984</i> |
| # BP0191-0222-0064-DU | 19.050 <i>0.750</i> | 22.225 <i>0.875</i> | 6.350 <i>0.250</i> |
| # BP0191-0222-0095-DU | 19.050 <i>0.750</i> | 22.225 <i>0.875</i> | 9.525 <i>0.375</i> |

Indicates item not stocked at time of printing - Please enquire for lead time

E&OE Pricing and all details subject to change without notice - Copyright Miniature Bearings Australia Pty Ltd

MBA Size Listings are a guide to sizes only and must not be solely relied on for critical design information.

Bushes - Steel - DU - Split - Unflanged

| Part Number | Nominal ID (Di) mm | Nominal Outside Diameter (Do) mm | Length (B) mm |
|-----------------------|------------------------|----------------------------------|------------------------|
| | <i>inches</i> | <i>inches</i> | <i>inches</i> |
| # BP0191-0222-0127-DU | 19.050 <i>0.750</i> | 22.225 <i>0.875</i> | 12.700 <i>0.500</i> |
| # BP0191-0222-0159-DU | 19.050 <i>0.750</i> | 22.225 <i>0.875</i> | 15.875 <i>0.625</i> |
| # BP0191-0222-0191-DU | 19.050 <i>0.750</i> | 22.225 <i>0.875</i> | 19.050 <i>0.750</i> |
| # BP0191-0222-0254-DU | 19.050 <i>0.750</i> | 22.225 <i>0.875</i> | 25.400 <i>1.000</i> |
| # BP0200-0230-0100-DU | 20.000 <i>0.787</i> | 23.000 <i>0.906</i> | 10.000 <i>0.394</i> |
| # BP0200-0230-0150-DU | 20.000 <i>0.787</i> | 23.000 <i>0.906</i> | 15.000 <i>0.591</i> |
| BP0200-0230-0200-DU | 20.000 <i>0.787</i> | 23.000 <i>0.906</i> | 20.000 <i>0.787</i> |
| # BP0200-0230-0250-DU | 20.000 <i>0.787</i> | 23.000 <i>0.906</i> | 25.000 <i>0.984</i> |
| # BP0200-0230-0300-DU | 20.000 <i>0.787</i> | 23.000 <i>0.906</i> | 30.000 <i>1.181</i> |
| # BP0206-0238-0191-DU | 20.638 <i>0.813</i> | 23.813 <i>0.938</i> | 19.050 <i>0.750</i> |

Indicates item not stocked at time of printing - Please enquire for lead time

E&OE Pricing and all details subject to change without notice - Copyright Miniature Bearings Australia Pty Ltd

MBA Size Listings are a guide to sizes only and must not be solely relied on for critical design information.

Bushes - Steel - DU - Split - Unflanged

| Part Number | Nominal ID (Di) mm <i>inches</i> | Nominal Outside Diameter (Do) mm <i>inches</i> | Length (B) mm <i>inches</i> |
|-----------------------|-------------------------------------|---------------------------------------------------|--------------------------------|
| # BP0206-0238-0286-DU | 20.638 <i>0.813</i> | 23.813 <i>0.938</i> | 28.575 <i>1.125</i> |
| # BP0220-0250-0100-DU | 22.000 <i>0.866</i> | 25.000 <i>0.984</i> | 10.000 <i>0.394</i> |
| # BP0220-0250-0120-DU | 22.000 <i>0.866</i> | 25.000 <i>0.984</i> | 12.000 <i>0.472</i> |
| # BP0220-0250-0150-DU | 22.000 <i>0.866</i> | 25.000 <i>0.984</i> | 15.000 <i>0.591</i> |
| # BP0220-0250-0200-DU | 22.000 <i>0.866</i> | 25.000 <i>0.984</i> | 20.000 <i>0.787</i> |
| # BP0220-0250-0250-DU | 22.000 <i>0.866</i> | 25.000 <i>0.984</i> | 25.000 <i>0.984</i> |
| # BP0220-0250-0300-DU | 22.000 <i>0.866</i> | 25.000 <i>0.984</i> | 30.000 <i>1.181</i> |
| # BP0222-0254-0064-DU | 22.225 <i>0.875</i> | 25.400 <i>1.000</i> | 6.350 <i>0.250</i> |
| # BP0222-0254-0095-DU | 22.225 <i>0.875</i> | 25.400 <i>1.000</i> | 9.525 <i>0.375</i> |
| # BP0222-0254-0191-DU | 22.225 <i>0.875</i> | 25.400 <i>1.000</i> | 19.050 <i>0.750</i> |

Indicates item not stocked at time of printing - Please enquire for lead time

E&OE Pricing and all details subject to change without notice - Copyright Miniature Bearings Australia Pty Ltd

MBA Size Listings are a guide to sizes only and must not be solely relied on for critical design information.

Bushes - Steel - DU - Split - Unflanged

| Part Number | Nominal ID (Di) mm <i>inches</i> | Nominal Outside Diameter (Do) mm <i>inches</i> | Length (B) mm <i>inches</i> |
|-----------------------|-------------------------------------|---------------------------------------------------|--------------------------------|
| # BP0222-0254-0254-DU | 22.225 <i>0.875</i> | 25.400 <i>1.000</i> | 25.400 <i>1.000</i> |
| # BP0222-0254-0318-DU | 22.225 <i>0.875</i> | 25.400 <i>1.000</i> | 31.750 <i>1.250</i> |
| # BP0240-0270-0150-DU | 24.000 <i>0.945</i> | 27.000 <i>1.063</i> | 15.000 <i>0.591</i> |
| # BP0240-0270-0200-DU | 24.000 <i>0.945</i> | 27.000 <i>1.063</i> | 20.000 <i>0.787</i> |
| # BP0240-0270-0250-DU | 24.000 <i>0.945</i> | 27.000 <i>1.063</i> | 25.000 <i>0.984</i> |
| # BP0240-0270-0300-DU | 24.000 <i>0.945</i> | 27.000 <i>1.063</i> | 30.000 <i>1.181</i> |
| # BP0250-0280-0100-DU | 25.000 <i>0.984</i> | 28.000 <i>1.102</i> | 10.000 <i>0.394</i> |
| # BP0250-0280-0120-DU | 25.000 <i>0.984</i> | 28.000 <i>1.102</i> | 12.000 <i>0.472</i> |
| # BP0250-0280-0150-DU | 25.000 <i>0.984</i> | 28.000 <i>1.102</i> | 15.000 <i>0.591</i> |
| BP0250-0280-0200-DU | 25.000 <i>0.984</i> | 28.000 <i>1.102</i> | 20.000 <i>0.787</i> |

Indicates item not stocked at time of printing - Please enquire for lead time

E&OE Pricing and all details subject to change without notice - Copyright Miniature Bearings Australia Pty Ltd

MBA Size Listings are a guide to sizes only and must not be solely relied on for critical design information.

Bushes - Steel - DU - Split - Unflanged

| Part Number | Nominal ID (Di) mm | Nominal Outside Diameter (Do) mm | Length (B) mm |
|-----------------------|------------------------|----------------------------------|------------------------|
| | <i>inches</i> | <i>inches</i> | <i>inches</i> |
| # BP0250-0280-0250-DU | 25.000 <i>0.984</i> | 28.000 <i>1.102</i> | 25.000 <i>0.984</i> |
| # BP0250-0280-0300-DU | 25.000 <i>0.984</i> | 28.000 <i>1.102</i> | 30.000 <i>1.181</i> |
| # BP0250-0280-0400-DU | 25.000 <i>0.984</i> | 28.000 <i>1.102</i> | 40.000 <i>1.575</i> |
| # BP0250-0280-0500-DU | 25.000 <i>0.984</i> | 28.000 <i>1.102</i> | 50.000 <i>1.969</i> |
| # BP0254-0286-0095-DU | 25.400 <i>1.000</i> | 28.575 <i>1.125</i> | 9.525 <i>0.375</i> |
| # BP0254-0286-0127-DU | 25.400 <i>1.000</i> | 28.575 <i>1.125</i> | 12.700 <i>0.500</i> |
| # BP0254-0286-0191-DU | 25.400 <i>1.000</i> | 28.575 <i>1.125</i> | 19.050 <i>0.750</i> |
| # BP0254-0286-0254-DU | 25.400 <i>1.000</i> | 28.575 <i>1.125</i> | 25.400 <i>1.000</i> |
| # BP0254-0286-0318-DU | 25.400 <i>1.000</i> | 28.575 <i>1.125</i> | 31.750 <i>1.250</i> |
| # BP0254-0286-0381-DU | 25.400 <i>1.000</i> | 28.575 <i>1.125</i> | 38.100 <i>1.500</i> |

Indicates item not stocked at time of printing - Please enquire for lead time

E&OE Pricing and all details subject to change without notice - Copyright Miniature Bearings Australia Pty Ltd
MBA Size Listings are a guide to sizes only and must not be solely relied on for critical design information.

Bushes - Steel - DU - Split - Unflanged

| Part Number | Nominal ID (Di) mm | Nominal Outside Diameter (Do) mm | Length (B) mm |
|-----------------------|------------------------|----------------------------------|------------------------|
| | <i>inches</i> | <i>inches</i> | <i>inches</i> |
| # BP0280-0320-0150-DU | 28.000 <i>1.102</i> | 32.000 <i>1.260</i> | 15.000 <i>0.591</i> |
| # BP0280-0320-0200-DU | 28.000 <i>1.102</i> | 32.000 <i>1.260</i> | 20.000 <i>0.787</i> |
| # BP0280-0320-0250-DU | 28.000 <i>1.102</i> | 32.000 <i>1.260</i> | 25.000 <i>0.984</i> |
| # BP0280-0320-0300-DU | 28.000 <i>1.102</i> | 32.000 <i>1.260</i> | 30.000 <i>1.181</i> |
| # BP0280-0320-0400-DU | 28.000 <i>1.102</i> | 32.000 <i>1.260</i> | 40.000 <i>1.575</i> |
| # BP0286-0318-0095-DU | 28.575 <i>1.125</i> | 31.750 <i>1.250</i> | 9.525 <i>0.375</i> |
| # BP0286-0318-0159-DU | 28.575 <i>1.125</i> | 31.750 <i>1.250</i> | 15.875 <i>0.625</i> |
| # BP0286-0318-0191-DU | 28.575 <i>1.125</i> | 31.750 <i>1.250</i> | 19.050 <i>0.750</i> |
| # BP0286-0318-0254-DU | 28.575 <i>1.125</i> | 31.750 <i>1.250</i> | 25.400 <i>1.000</i> |
| # BP0300-0340-0100-DU | 30.000 <i>1.181</i> | 34.000 <i>1.339</i> | 10.000 <i>0.394</i> |

Indicates item not stocked at time of printing - Please enquire for lead time

E&OE Pricing and all details subject to change without notice - Copyright Miniature Bearings Australia Pty Ltd

MBA Size Listings are a guide to sizes only and must not be solely relied on for critical design information.

Bushes - Steel - DU - Split - Unflanged

| Part Number | Nominal ID (Di) mm | Nominal Outside Diameter (Do) mm | Length (B) mm |
|-----------------------|------------------------|----------------------------------|------------------------|
| | <i>inches</i> | <i>inches</i> | <i>inches</i> |
| # BP0300-0340-0120-DU | 30.000 <i>1.181</i> | 34.000 <i>1.339</i> | 12.000 <i>0.472</i> |
| # BP0300-0340-0150-DU | 30.000 <i>1.181</i> | 34.000 <i>1.339</i> | 15.000 <i>0.591</i> |
| BP0300-0340-0200-DU | 30.000 <i>1.181</i> | 34.000 <i>1.339</i> | 20.000 <i>0.787</i> |
| # BP0300-0340-0250-DU | 30.000 <i>1.181</i> | 34.000 <i>1.339</i> | 25.000 <i>0.984</i> |
| # BP0300-0340-0300-DU | 30.000 <i>1.181</i> | 34.000 <i>1.339</i> | 30.000 <i>1.181</i> |
| # BP0300-0340-0400-DU | 30.000 <i>1.181</i> | 34.000 <i>1.339</i> | 40.000 <i>1.575</i> |
| # BP0318-0357-0095-DU | 31.750 <i>1.250</i> | 35.712 <i>1.406</i> | 9.525 <i>0.375</i> |
| # BP0318-0357-0191-DU | 31.750 <i>1.250</i> | 35.712 <i>1.406</i> | 19.050 <i>0.750</i> |
| # BP0318-0357-0222-DU | 31.750 <i>1.250</i> | 35.712 <i>1.406</i> | 22.225 <i>0.875</i> |
| # BP0318-0357-0254-DU | 31.750 <i>1.250</i> | 35.712 <i>1.406</i> | 25.400 <i>1.000</i> |

Indicates item not stocked at time of printing - Please enquire for lead time

E&OE Pricing and all details subject to change without notice - Copyright Miniature Bearings Australia Pty Ltd

MBA Size Listings are a guide to sizes only and must not be solely relied on for critical design information.

Bushes - Steel - DU - Split - Unflanged

| Part Number | Nominal ID (Di) mm <i>inches</i> | Nominal Outside Diameter (Do) mm <i>inches</i> | Length (B) mm <i>inches</i> |
|-----------------------|-------------------------------------|---------------------------------------------------|--------------------------------|
| # BP0318-0357-0318-DU | 31.750 <i>1.250</i> | 35.712 <i>1.406</i> | 31.750 <i>1.250</i> |
| # BP0318-0357-0445-DU | 31.750 <i>1.250</i> | 35.712 <i>1.406</i> | 44.450 <i>1.750</i> |
| # BP0320-0360-0200-DU | 32.000 <i>1.260</i> | 36.000 <i>1.417</i> | 20.000 <i>0.787</i> |
| # BP0320-0360-0300-DU | 32.000 <i>1.260</i> | 36.000 <i>1.417</i> | 30.000 <i>1.181</i> |
| # BP0320-0360-0400-DU | 32.000 <i>1.260</i> | 36.000 <i>1.417</i> | 40.000 <i>1.575</i> |
| # BP0349-0389-0191-DU | 34.925 <i>1.375</i> | 38.894 <i>1.531</i> | 19.050 <i>0.750</i> |
| # BP0349-0389-0349-DU | 34.925 <i>1.375</i> | 38.894 <i>1.531</i> | 34.925 <i>1.375</i> |
| # BP0349-0389-0381-DU | 34.925 <i>1.375</i> | 38.894 <i>1.531</i> | 38.100 <i>1.500</i> |
| # BP0349-0389-0445-DU | 34.925 <i>1.375</i> | 38.894 <i>1.531</i> | 44.450 <i>1.750</i> |
| # BP0350-0390-0120-DU | 35.000 <i>1.378</i> | 39.000 <i>1.535</i> | 12.000 <i>0.472</i> |

Indicates item not stocked at time of printing - Please enquire for lead time

E&OE Pricing and all details subject to change without notice - Copyright Miniature Bearings Australia Pty Ltd
MBA Size Listings are a guide to sizes only and must not be solely relied on for critical design information.

Bushes - Steel - DU - Split - Unflanged

| Part Number | Nominal ID (Di) mm | Nominal Outside Diameter (Do) mm | Length (B) mm |
|-----------------------|------------------------|----------------------------------|------------------------|
| | <i>inches</i> | <i>inches</i> | <i>inches</i> |
| # BP0350-0390-0150-DU | 35.000 <i>1.378</i> | 39.000 <i>1.535</i> | 15.000 <i>0.591</i> |
| # BP0350-0390-0200-DU | 35.000 <i>1.378</i> | 39.000 <i>1.535</i> | 20.000 <i>0.787</i> |
| # BP0350-0390-0250-DU | 35.000 <i>1.378</i> | 39.000 <i>1.535</i> | 25.000 <i>0.984</i> |
| # BP0350-0390-0300-DU | 35.000 <i>1.378</i> | 39.000 <i>1.535</i> | 30.000 <i>1.181</i> |
| # BP0350-0390-0350-DU | 35.000 <i>1.378</i> | 39.000 <i>1.535</i> | 35.000 <i>1.378</i> |
| # BP0350-0390-0400-DU | 35.000 <i>1.378</i> | 39.000 <i>1.535</i> | 40.000 <i>1.575</i> |
| # BP0350-0390-0500-DU | 35.000 <i>1.378</i> | 39.000 <i>1.535</i> | 50.000 <i>1.969</i> |
| # BP0370-0410-0200-DU | 37.000 <i>1.457</i> | 41.000 <i>1.614</i> | 20.000 <i>0.787</i> |
| # BP0380-0420-0150-DU | 38.000 <i>1.496</i> | 42.000 <i>1.654</i> | 15.000 <i>0.591</i> |
| # BP0380-0420-0300-DU | 38.000 <i>1.496</i> | 42.000 <i>1.654</i> | 30.000 <i>1.181</i> |

Indicates item not stocked at time of printing - Please enquire for lead time

E&OE Pricing and all details subject to change without notice - Copyright Miniature Bearings Australia Pty Ltd
MBA Size Listings are a guide to sizes only and must not be solely relied on for critical design information.

Bushes - Steel - DU - Split - Unflanged

| Part Number | Nominal ID (Di) mm <i>inches</i> | Nominal Outside Diameter (Do) mm <i>inches</i> | Length (B) mm <i>inches</i> |
|-----------------------|-------------------------------------|---------------------------------------------------|--------------------------------|
| # BP0380-0420-0400-DU | 38.000 <i>1.496</i> | 42.000 <i>1.654</i> | 40.000 <i>1.575</i> |
| # BP0381-0421-0127-DU | 38.100 <i>1.500</i> | 42.069 <i>1.656</i> | 12.700 <i>0.500</i> |
| # BP0381-0421-0254-DU | 38.100 <i>1.500</i> | 42.069 <i>1.656</i> | 25.400 <i>1.000</i> |
| # BP0381-0421-0286-DU | 38.100 <i>1.500</i> | 42.069 <i>1.656</i> | 28.575 <i>1.125</i> |
| # BP0381-0421-0318-DU | 38.100 <i>1.500</i> | 42.069 <i>1.656</i> | 31.750 <i>1.250</i> |
| # BP0381-0421-0381-DU | 38.100 <i>1.500</i> | 42.069 <i>1.656</i> | 38.100 <i>1.500</i> |
| # BP0381-0421-0508-DU | 38.100 <i>1.500</i> | 42.069 <i>1.656</i> | 50.800 <i>2.000</i> |
| # BP0400-0440-0120-DU | 40.000 <i>1.575</i> | 44.000 <i>1.732</i> | 12.000 <i>0.472</i> |
| # BP0400-0440-0200-DU | 40.000 <i>1.575</i> | 44.000 <i>1.732</i> | 20.000 <i>0.787</i> |
| # BP0400-0440-0250-DU | 40.000 <i>1.575</i> | 44.000 <i>1.732</i> | 25.000 <i>0.984</i> |

Indicates item not stocked at time of printing - Please enquire for lead time

E&OE Pricing and all details subject to change without notice - Copyright Miniature Bearings Australia Pty Ltd

MBA Size Listings are a guide to sizes only and must not be solely relied on for critical design information.

Bushes - Steel - DU - Split - Unflanged

| Part Number | Nominal ID (Di) mm | Nominal Outside Diameter (Do) mm | Length (B) mm |
|-----------------------|------------------------|----------------------------------|------------------------|
| | <i>inches</i> | <i>inches</i> | <i>inches</i> |
| # BP0400-0440-0300-DU | 40.000 <i>1.575</i> | 44.000 <i>1.732</i> | 30.000 <i>1.181</i> |
| # BP0400-0440-0400-DU | 40.000 <i>1.575</i> | 44.000 <i>1.732</i> | 40.000 <i>1.575</i> |
| # BP0400-0440-0500-DU | 40.000 <i>1.575</i> | 44.000 <i>1.732</i> | 50.000 <i>1.969</i> |
| # BP0413-0452-0254-DU | 41.275 <i>1.625</i> | 45.244 <i>1.781</i> | 25.400 <i>1.000</i> |
| # BP0413-0475-0381-DU | 41.275 <i>1.625</i> | 47.530 <i>1.871</i> | 38.100 <i>1.500</i> |
| # BP0445-0492-0254-DU | 44.450 <i>1.750</i> | 49.213 <i>1.938</i> | 25.400 <i>1.000</i> |
| # BP0445-0492-0381-DU | 44.450 <i>1.750</i> | 49.213 <i>1.938</i> | 38.100 <i>1.500</i> |
| # BP0445-0492-0508-DU | 44.450 <i>1.750</i> | 49.213 <i>1.938</i> | 50.800 <i>2.000</i> |
| # BP0450-0500-0200-DU | 45.000 <i>1.772</i> | 50.000 <i>1.969</i> | 20.000 <i>0.787</i> |
| # BP0450-0500-0250-DU | 45.000 <i>1.772</i> | 50.000 <i>1.969</i> | 25.000 <i>0.984</i> |

Indicates item not stocked at time of printing - Please enquire for lead time

E&OE Pricing and all details subject to change without notice - Copyright Miniature Bearings Australia Pty Ltd
MBA Size Listings are a guide to sizes only and must not be solely relied on for critical design information.

Bushes - Steel - DU - Split - Unflanged

| Part Number | Nominal ID (Di) mm | Nominal Outside Diameter (Do) mm | Length (B) mm |
|-----------------------|------------------------|----------------------------------|------------------------|
| | <i>inches</i> | <i>inches</i> | <i>inches</i> |
| # BP0450-0500-0300-DU | 45.000 <i>1.772</i> | 50.000 <i>1.969</i> | 30.000 <i>1.181</i> |
| # BP0450-0500-0400-DU | 45.000 <i>1.772</i> | 50.000 <i>1.969</i> | 40.000 <i>1.575</i> |
| # BP0450-0500-0450-DU | 45.000 <i>1.772</i> | 50.000 <i>1.969</i> | 45.000 <i>1.772</i> |
| # BP0450-0500-0500-DU | 45.000 <i>1.772</i> | 50.000 <i>1.969</i> | 50.000 <i>1.969</i> |
| # BP0476-0523-0191-DU | 47.625 <i>1.875</i> | 52.324 <i>2.060</i> | 19.050 <i>0.750</i> |
| # BP0476-0523-0254-DU | 47.625 <i>1.875</i> | 52.324 <i>2.060</i> | 25.400 <i>1.000</i> |
| # BP0476-0523-0572-DU | 47.625 <i>1.875</i> | 52.324 <i>2.060</i> | 57.150 <i>2.250</i> |
| BP0500-0550-0200-DU | 50.000 <i>1.969</i> | 55.000 <i>2.165</i> | 20.000 <i>0.787</i> |
| BP0500-0550-0300-DU | 50.000 <i>1.969</i> | 55.000 <i>2.165</i> | 30.000 <i>1.181</i> |
| # BP0500-0550-0400-DU | 50.000 <i>1.969</i> | 55.000 <i>2.165</i> | 40.000 <i>1.575</i> |

Indicates item not stocked at time of printing - Please enquire for lead time

E&OE Pricing and all details subject to change without notice - Copyright Miniature Bearings Australia Pty Ltd

MBA Size Listings are a guide to sizes only and must not be solely relied on for critical design information.

Bushes - Steel - DU - Split - Unflanged

| Part Number | Nominal ID (Di) mm | Nominal Outside Diameter (Do) mm | Length (B) mm |
|-----------------------|------------------------|----------------------------------|------------------------|
| | <i>inches</i> | <i>inches</i> | <i>inches</i> |
| # BP0500-0550-0500-DU | 50.000 <i>1.969</i> | 55.000 <i>2.165</i> | 50.000 <i>1.969</i> |
| # BP0500-0550-0600-DU | 50.000 <i>1.969</i> | 55.000 <i>2.165</i> | 60.000 <i>2.362</i> |
| # BP0508-0555-0127-DU | 50.800 <i>2.000</i> | 55.499 <i>2.185</i> | 12.700 <i>0.500</i> |
| # BP0508-0555-0254-DU | 50.800 <i>2.000</i> | 55.499 <i>2.185</i> | 25.400 <i>1.000</i> |
| # BP0508-0555-0381-DU | 50.800 <i>2.000</i> | 55.499 <i>2.185</i> | 38.100 <i>1.500</i> |
| # BP0508-0555-0445-DU | 50.800 <i>2.000</i> | 55.499 <i>2.185</i> | 44.450 <i>1.750</i> |
| # BP0508-0555-0508-DU | 50.800 <i>2.000</i> | 55.499 <i>2.185</i> | 50.800 <i>2.000</i> |
| # BP0508-0555-0635-DU | 50.800 <i>2.000</i> | 55.499 <i>2.185</i> | 63.500 <i>2.500</i> |
| # BP0540-0587-0762-DU | 53.975 <i>2.125</i> | 58.674 <i>2.310</i> | 76.200 <i>3.000</i> |
| # BP0550-0600-0200-DU | 55.000 <i>2.165</i> | 60.000 <i>2.362</i> | 20.000 <i>0.787</i> |

Indicates item not stocked at time of printing - Please enquire for lead time

E&OE Pricing and all details subject to change without notice - Copyright Miniature Bearings Australia Pty Ltd
MBA Size Listings are a guide to sizes only and must not be solely relied on for critical design information.

Bushes - Steel - DU - Split - Unflanged

| Part Number | Nominal ID (Di) mm | Nominal Outside Diameter (Do) mm | Length (B) mm |
|-----------------------|------------------------|----------------------------------|------------------------|
| | <i>inches</i> | <i>inches</i> | <i>inches</i> |
| # BP0550-0600-0250-DU | 55.000 <i>2.165</i> | 60.000 <i>2.362</i> | 25.000 <i>0.984</i> |
| # BP0550-0600-0300-DU | 55.000 <i>2.165</i> | 60.000 <i>2.362</i> | 30.000 <i>1.181</i> |
| # BP0550-0600-0400-DU | 55.000 <i>2.165</i> | 60.000 <i>2.362</i> | 40.000 <i>1.575</i> |
| # BP0550-0600-0500-DU | 55.000 <i>2.165</i> | 60.000 <i>2.362</i> | 50.000 <i>1.969</i> |
| # BP0550-0600-0550-DU | 55.000 <i>2.165</i> | 60.000 <i>2.362</i> | 55.000 <i>2.165</i> |
| # BP0550-0600-0600-DU | 55.000 <i>2.165</i> | 60.000 <i>2.362</i> | 60.000 <i>2.362</i> |
| # BP0572-0619-0445-DU | 57.150 <i>2.250</i> | 61.918 <i>2.438</i> | 44.450 <i>1.750</i> |
| # BP0572-0619-0508-DU | 57.150 <i>2.250</i> | 61.918 <i>2.438</i> | 50.800 <i>2.000</i> |
| # BP0572-0619-0635-DU | 57.150 <i>2.250</i> | 61.918 <i>2.438</i> | 63.500 <i>2.500</i> |
| # BP0572-0619-0762-DU | 57.150 <i>2.250</i> | 61.918 <i>2.438</i> | 76.200 <i>3.000</i> |

Indicates item not stocked at time of printing - Please enquire for lead time

E&OE Pricing and all details subject to change without notice - Copyright Miniature Bearings Australia Pty Ltd
MBA Size Listings are a guide to sizes only and must not be solely relied on for critical design information.

Bushes - Steel - DU - Split - Unflanged

| Part Number | Nominal ID (Di) mm | Nominal Outside Diameter (Do) mm | Length (B) mm |
|-----------------------|------------------------|----------------------------------|-------------------------|
| | <i>inches</i> | <i>inches</i> | <i>inches</i> |
| # BP0572-0619-0889-DU | 57.150 <i>2.250</i> | 61.918 <i>2.438</i> | 88.900 <i>3.500</i> |
| # BP0572-0619-0953-DU | 57.150 <i>2.250</i> | 61.918 <i>2.438</i> | 95.250 <i>3.750</i> |
| # BP0572-0619-1016-DU | 57.150 <i>2.250</i> | 61.918 <i>2.438</i> | 101.600 <i>4.000</i> |
| # BP0572-0619-1143-DU | 57.150 <i>2.250</i> | 61.918 <i>2.438</i> | 114.300 <i>4.500</i> |
| # BP0600-0650-0200-DU | 60.000 <i>2.362</i> | 65.000 <i>2.559</i> | 20.000 <i>0.787</i> |
| # BP0600-0650-0300-DU | 60.000 <i>2.362</i> | 65.000 <i>2.559</i> | 30.000 <i>1.181</i> |
| # BP0600-0650-0400-DU | 60.000 <i>2.362</i> | 65.000 <i>2.559</i> | 40.000 <i>1.575</i> |
| # BP0600-0650-0500-DU | 60.000 <i>2.362</i> | 65.000 <i>2.559</i> | 50.000 <i>1.969</i> |
| # BP0600-0650-0600-DU | 60.000 <i>2.362</i> | 65.000 <i>2.559</i> | 60.000 <i>2.362</i> |
| # BP0600-0650-0700-DU | 60.000 <i>2.362</i> | 65.000 <i>2.559</i> | 70.000 <i>2.756</i> |

Indicates item not stocked at time of printing - Please enquire for lead time

E&OE Pricing and all details subject to change without notice - Copyright Miniature Bearings Australia Pty Ltd

MBA Size Listings are a guide to sizes only and must not be solely relied on for critical design information.

Bushes - Steel - DU - Split - Unflanged

| Part Number | Nominal ID (Di) mm | Nominal Outside Diameter (Do) mm | Length (B) mm |
|-----------------------|------------------------|----------------------------------|-------------------------|
| | <i>inches</i> | <i>inches</i> | <i>inches</i> |
| # BP0635-0683-0254-DU | 63.500 <i>2.500</i> | 68.275 <i>2.688</i> | 25.400 <i>1.000</i> |
| # BP0635-0683-0413-DU | 63.500 <i>2.500</i> | 68.275 <i>2.688</i> | 41.275 <i>1.625</i> |
| # BP0635-0683-0508-DU | 63.500 <i>2.500</i> | 68.275 <i>2.688</i> | 50.800 <i>2.000</i> |
| # BP0635-0683-0635-DU | 63.500 <i>2.500</i> | 68.275 <i>2.688</i> | 63.500 <i>2.500</i> |
| # BP0635-0683-0762-DU | 63.500 <i>2.500</i> | 68.275 <i>2.688</i> | 76.200 <i>3.000</i> |
| # BP0635-0683-0889-DU | 63.500 <i>2.500</i> | 68.275 <i>2.688</i> | 88.900 <i>3.500</i> |
| # BP0635-0683-0953-DU | 63.500 <i>2.500</i> | 68.275 <i>2.688</i> | 95.250 <i>3.750</i> |
| # BP0635-0683-1016-DU | 63.500 <i>2.500</i> | 68.275 <i>2.688</i> | 101.600 <i>4.000</i> |
| # BP0635-0683-1143-DU | 63.500 <i>2.500</i> | 68.275 <i>2.688</i> | 114.300 <i>4.500</i> |
| # BP0650-0700-0300-DU | 65.000 <i>2.559</i> | 70.000 <i>2.756</i> | 30.000 <i>1.181</i> |

Indicates item not stocked at time of printing - Please enquire for lead time

E&OE Pricing and all details subject to change without notice - Copyright Miniature Bearings Australia Pty Ltd

MBA Size Listings are a guide to sizes only and must not be solely relied on for critical design information.

Bushes - Steel - DU - Split - Unflanged

| Part Number | Nominal ID (Di) mm <i>inches</i> | Nominal Outside Diameter (Do) mm <i>inches</i> | Length (B) mm <i>inches</i> |
|-----------------------|-------------------------------------|---------------------------------------------------|--------------------------------|
| # BP0650-0700-0400-DU | 65.000 <i>2.559</i> | 70.000 <i>2.756</i> | 40.000 <i>1.575</i> |
| # BP0650-0700-0500-DU | 65.000 <i>2.559</i> | 70.000 <i>2.756</i> | 50.000 <i>1.969</i> |
| # BP0650-0700-0600-DU | 65.000 <i>2.559</i> | 70.000 <i>2.756</i> | 60.000 <i>2.362</i> |
| # BP0650-0700-0700-DU | 65.000 <i>2.559</i> | 70.000 <i>2.756</i> | 70.000 <i>2.756</i> |
| # BP0699-0746-0508-DU | 69.850 <i>2.750</i> | 74.600 <i>2.937</i> | 50.800 <i>2.000</i> |
| # BP0699-0746-0572-DU | 69.850 <i>2.750</i> | 74.600 <i>2.937</i> | 57.150 <i>2.250</i> |
| # BP0699-0746-0635-DU | 69.850 <i>2.750</i> | 74.600 <i>2.937</i> | 63.500 <i>2.500</i> |
| # BP0699-0746-0762-DU | 69.850 <i>2.750</i> | 74.600 <i>2.937</i> | 76.200 <i>3.000</i> |
| # BP0699-0746-0889-DU | 69.850 <i>2.750</i> | 74.600 <i>2.937</i> | 88.900 <i>3.500</i> |
| # BP0699-0746-0953-DU | 69.850 <i>2.750</i> | 74.600 <i>2.937</i> | 95.250 <i>3.750</i> |

Indicates item not stocked at time of printing - Please enquire for lead time

E&OE Pricing and all details subject to change without notice - Copyright Miniature Bearings Australia Pty Ltd
MBA Size Listings are a guide to sizes only and must not be solely relied on for critical design information.

Bushes - Steel - DU - Split - Unflanged

| Part Number | Nominal ID (Di) mm <i>inches</i> | Nominal Outside Diameter (Do) mm <i>inches</i> | Length (B) mm <i>inches</i> |
|-----------------------|-------------------------------------|---------------------------------------------------|--------------------------------|
| # BP0699-0746-1016-DU | 69.850 <i>2.750</i> | 74.600 <i>2.937</i> | 101.600 <i>4.000</i> |
| # BP0699-0746-1143-DU | 69.850 <i>2.750</i> | 74.600 <i>2.937</i> | 114.300 <i>4.500</i> |
| # BP0699-0746-1207-DU | 69.850 <i>2.750</i> | 74.600 <i>2.937</i> | 120.650 <i>4.750</i> |
| # BP0700-0750-0400-DU | 70.000 <i>2.756</i> | 75.000 <i>2.953</i> | 40.000 <i>1.575</i> |
| # BP0700-0750-0500-DU | 70.000 <i>2.756</i> | 75.000 <i>2.953</i> | 50.000 <i>1.969</i> |
| # BP0700-0750-0600-DU | 70.000 <i>2.756</i> | 75.000 <i>2.953</i> | 60.000 <i>2.362</i> |
| # BP0700-0750-0700-DU | 70.000 <i>2.756</i> | 75.000 <i>2.953</i> | 70.000 <i>2.756</i> |
| # BP0700-0750-0800-DU | 70.000 <i>2.756</i> | 75.000 <i>2.953</i> | 80.000 <i>3.150</i> |
| # BP0730-0778-0508-DU | 73.025 <i>2.875</i> | 77.782 <i>3.062</i> | 50.800 <i>2.000</i> |
| # BP0730-0778-0572-DU | 73.025 <i>2.875</i> | 77.782 <i>3.062</i> | 57.150 <i>2.250</i> |

Indicates item not stocked at time of printing - Please enquire for lead time

E&OE Pricing and all details subject to change without notice - Copyright Miniature Bearings Australia Pty Ltd

MBA Size Listings are a guide to sizes only and must not be solely relied on for critical design information.

Bushes - Steel - DU - Split - Unflanged

| Part Number | Nominal ID (Di) mm | Nominal Outside Diameter (Do) mm | Length (B) mm |
|-----------------------|------------------------|----------------------------------|-------------------------|
| | <i>inches</i> | <i>inches</i> | <i>inches</i> |
| # BP0730-0778-0635-DU | 73.025 <i>2.875</i> | 77.782 <i>3.062</i> | 63.500 <i>2.500</i> |
| # BP0730-0778-0762-DU | 73.025 <i>2.875</i> | 77.782 <i>3.062</i> | 76.200 <i>3.000</i> |
| # BP0730-0778-0889-DU | 73.025 <i>2.875</i> | 77.782 <i>3.062</i> | 88.900 <i>3.500</i> |
| # BP0730-0778-0953-DU | 73.025 <i>2.875</i> | 77.782 <i>3.062</i> | 95.250 <i>3.750</i> |
| # BP0730-0778-1016-DU | 73.025 <i>2.875</i> | 77.782 <i>3.062</i> | 101.600 <i>4.000</i> |
| # BP0730-0778-1143-DU | 73.025 <i>2.875</i> | 77.782 <i>3.062</i> | 114.300 <i>4.500</i> |
| # BP0730-0778-1207-DU | 73.025 <i>2.875</i> | 77.782 <i>3.062</i> | 120.650 <i>4.750</i> |
| # BP0750-0800-0300-DU | 75.000 <i>2.953</i> | 80.000 <i>3.150</i> | 30.000 <i>1.181</i> |
| # BP0750-0800-0400-DU | 75.000 <i>2.953</i> | 80.000 <i>3.150</i> | 40.000 <i>1.575</i> |
| # BP0750-0800-0500-DU | 75.000 <i>2.953</i> | 80.000 <i>3.150</i> | 50.000 <i>1.969</i> |

Indicates item not stocked at time of printing - Please enquire for lead time

E&OE Pricing and all details subject to change without notice - Copyright Miniature Bearings Australia Pty Ltd

MBA Size Listings are a guide to sizes only and must not be solely relied on for critical design information.

Bushes - Steel - DU - Split - Unflanged

| Part Number | Nominal ID (Di) mm | Nominal Outside Diameter (Do) mm | Length (B) mm |
|-----------------------|------------------------|----------------------------------|-------------------------|
| | <i>inches</i> | <i>inches</i> | <i>inches</i> |
| # BP0750-0800-0600-DU | 75.000 <i>2.953</i> | 80.000 <i>3.150</i> | 60.000 <i>2.362</i> |
| # BP0750-0800-0700-DU | 75.000 <i>2.953</i> | 80.000 <i>3.150</i> | 70.000 <i>2.756</i> |
| # BP0750-0800-0800-DU | 75.000 <i>2.953</i> | 80.000 <i>3.150</i> | 80.000 <i>3.150</i> |
| # BP0762-0810-0508-DU | 76.200 <i>3.000</i> | 80.950 <i>3.187</i> | 50.800 <i>2.000</i> |
| # BP0762-0810-0572-DU | 76.200 <i>3.000</i> | 80.950 <i>3.187</i> | 57.150 <i>2.250</i> |
| # BP0762-0810-0635-DU | 76.200 <i>3.000</i> | 80.950 <i>3.187</i> | 63.500 <i>2.500</i> |
| # BP0762-0810-0762-DU | 76.200 <i>3.000</i> | 80.950 <i>3.187</i> | 76.200 <i>3.000</i> |
| # BP0762-0810-0889-DU | 76.200 <i>3.000</i> | 80.950 <i>3.187</i> | 88.900 <i>3.500</i> |
| # BP0762-0810-0953-DU | 76.200 <i>3.000</i> | 80.950 <i>3.187</i> | 95.250 <i>3.750</i> |
| # BP0762-0810-1016-DU | 76.200 <i>3.000</i> | 80.950 <i>3.187</i> | 101.600 <i>4.000</i> |

Indicates item not stocked at time of printing - Please enquire for lead time

E&OE Pricing and all details subject to change without notice - Copyright Miniature Bearings Australia Pty Ltd

MBA Size Listings are a guide to sizes only and must not be solely relied on for critical design information.

Bushes - Steel - DU - Split - Unflanged

| Part Number | Nominal ID (Di) mm <i>inches</i> | Nominal Outside Diameter (Do) mm <i>inches</i> | Length (B) mm <i>inches</i> |
|-----------------------|-------------------------------------|---------------------------------------------------|--------------------------------|
| # BP0762-0810-1143-DU | 76.200 <i>3.000</i> | 80.950 <i>3.187</i> | 114.300 <i>4.500</i> |
| # BP0762-0810-1207-DU | 76.200 <i>3.000</i> | 80.950 <i>3.187</i> | 120.650 <i>4.750</i> |
| # BP0800-0850-0400-DU | 80.000 <i>3.150</i> | 85.000 <i>3.346</i> | 40.000 <i>1.575</i> |
| # BP0800-0850-0500-DU | 80.000 <i>3.150</i> | 85.000 <i>3.346</i> | 50.000 <i>1.969</i> |
| # BP0800-0850-0600-DU | 80.000 <i>3.150</i> | 85.000 <i>3.346</i> | 60.000 <i>2.362</i> |
| # BP0800-0850-0700-DU | 80.000 <i>3.150</i> | 85.000 <i>3.346</i> | 70.000 <i>2.756</i> |
| # BP0800-0850-0800-DU | 80.000 <i>3.150</i> | 85.000 <i>3.346</i> | 80.000 <i>3.150</i> |
| # BP0800-0850-1000-DU | 80.000 <i>3.150</i> | 85.000 <i>3.346</i> | 100.000 <i>3.937</i> |
| # BP0826-0871-0508-DU | 82.550 <i>3.250</i> | 87.122 <i>3.430</i> | 50.800 <i>2.000</i> |
| # BP0826-0871-0572-DU | 82.550 <i>3.250</i> | 87.122 <i>3.430</i> | 57.150 <i>2.250</i> |

Indicates item not stocked at time of printing - Please enquire for lead time

E&OE Pricing and all details subject to change without notice - Copyright Miniature Bearings Australia Pty Ltd
MBA Size Listings are a guide to sizes only and must not be solely relied on for critical design information.

Bushes - Steel - DU - Split - Unflanged

| Part Number | Nominal ID (Di) mm | Nominal Outside Diameter (Do) mm | Length (B) mm |
|-----------------------|------------------------|----------------------------------|-------------------------|
| | <i>inches</i> | <i>inches</i> | <i>inches</i> |
| # BP0826-0871-0635-DU | 82.550 <i>3.250</i> | 87.122 <i>3.430</i> | 63.500 <i>2.500</i> |
| # BP0826-0871-0762-DU | 82.550 <i>3.250</i> | 87.122 <i>3.430</i> | 76.200 <i>3.000</i> |
| # BP0826-0871-0889-DU | 82.550 <i>3.250</i> | 87.122 <i>3.430</i> | 88.900 <i>3.500</i> |
| # BP0826-0871-0953-DU | 82.550 <i>3.250</i> | 87.122 <i>3.430</i> | 95.250 <i>3.750</i> |
| # BP0826-0871-1016-DU | 82.550 <i>3.250</i> | 87.122 <i>3.430</i> | 101.600 <i>4.000</i> |
| # BP0826-0871-1143-DU | 82.550 <i>3.250</i> | 87.122 <i>3.430</i> | 114.300 <i>4.500</i> |
| # BP0826-0871-1207-DU | 82.550 <i>3.250</i> | 87.122 <i>3.430</i> | 120.650 <i>4.750</i> |
| # BP0850-0900-0300-DU | 85.000 <i>3.346</i> | 90.000 <i>3.543</i> | 30.000 <i>1.181</i> |
| # BP0850-0900-0400-DU | 85.000 <i>3.346</i> | 90.000 <i>3.543</i> | 40.000 <i>1.575</i> |
| # BP0850-0900-0600-DU | 85.000 <i>3.346</i> | 90.000 <i>3.543</i> | 60.000 <i>2.362</i> |

Indicates item not stocked at time of printing - Please enquire for lead time

E&OE Pricing and all details subject to change without notice - Copyright Miniature Bearings Australia Pty Ltd

MBA Size Listings are a guide to sizes only and must not be solely relied on for critical design information.

Bushes - Steel - DU - Split - Unflanged

| Part Number | Nominal ID (Di) mm | Nominal Outside Diameter (Do) mm | Length (B) mm |
|-----------------------|------------------------|----------------------------------|-------------------------|
| | <i>inches</i> | <i>inches</i> | <i>inches</i> |
| # BP0850-0900-0800-DU | 85.000 <i>3.346</i> | 90.000 <i>3.543</i> | 80.000 <i>3.150</i> |
| # BP0850-0900-1000-DU | 85.000 <i>3.346</i> | 90.000 <i>3.543</i> | 100.000 <i>3.937</i> |
| # BP0889-0937-0508-DU | 88.900 <i>3.500</i> | 93.650 <i>3.687</i> | 50.800 <i>2.000</i> |
| # BP0889-0937-0572-DU | 88.900 <i>3.500</i> | 93.650 <i>3.687</i> | 57.150 <i>2.250</i> |
| # BP0889-0937-0635-DU | 88.900 <i>3.500</i> | 93.650 <i>3.687</i> | 63.500 <i>2.500</i> |
| # BP0889-0937-0762-DU | 88.900 <i>3.500</i> | 93.650 <i>3.687</i> | 76.200 <i>3.000</i> |
| # BP0889-0937-0889-DU | 88.900 <i>3.500</i> | 93.650 <i>3.687</i> | 88.900 <i>3.500</i> |
| # BP0889-0937-0953-DU | 88.900 <i>3.500</i> | 93.650 <i>3.687</i> | 95.250 <i>3.750</i> |
| # BP0889-0937-1016-DU | 88.900 <i>3.500</i> | 93.650 <i>3.687</i> | 101.600 <i>4.000</i> |
| # BP0889-0937-1143-DU | 88.900 <i>3.500</i> | 93.650 <i>3.687</i> | 114.300 <i>4.500</i> |

Indicates item not stocked at time of printing - Please enquire for lead time

E&OE Pricing and all details subject to change without notice - Copyright Miniature Bearings Australia Pty Ltd
MBA Size Listings are a guide to sizes only and must not be solely relied on for critical design information.

Bushes - Steel - DU - Split - Unflanged

| Part Number | Nominal ID (Di) mm | Nominal Outside Diameter (Do) mm | Length (B) mm |
|-----------------------|------------------------|----------------------------------|-------------------------|
| | <i>inches</i> | <i>inches</i> | <i>inches</i> |
| # BP0889-0937-1207-DU | 88.900 <i>3.500</i> | 93.650 <i>3.687</i> | 120.650 <i>4.750</i> |
| # BP0900-0950-0400-DU | 90.000 <i>3.543</i> | 95.000 <i>3.740</i> | 40.000 <i>1.575</i> |
| # BP0900-0950-0500-DU | 90.000 <i>3.543</i> | 95.000 <i>3.740</i> | 50.000 <i>1.969</i> |
| # BP0900-0950-0600-DU | 90.000 <i>3.543</i> | 95.000 <i>3.740</i> | 60.000 <i>2.362</i> |
| # BP0900-0950-0800-DU | 90.000 <i>3.543</i> | 95.000 <i>3.740</i> | 80.000 <i>3.150</i> |
| # BP0900-0950-1000-DU | 90.000 <i>3.543</i> | 95.000 <i>3.740</i> | 100.000 <i>3.937</i> |
| # BP0921-0968-0508-DU | 92.075 <i>3.625</i> | 96.830 <i>3.812</i> | 50.800 <i>2.000</i> |
| # BP0921-0968-0572-DU | 92.075 <i>3.625</i> | 96.830 <i>3.812</i> | 57.150 <i>2.250</i> |
| # BP0921-0968-0635-DU | 92.075 <i>3.625</i> | 96.830 <i>3.812</i> | 63.500 <i>2.500</i> |
| # BP0921-0968-0762-DU | 92.075 <i>3.625</i> | 96.830 <i>3.812</i> | 76.200 <i>3.000</i> |

Indicates item not stocked at time of printing - Please enquire for lead time

E&OE Pricing and all details subject to change without notice - Copyright Miniature Bearings Australia Pty Ltd
MBA Size Listings are a guide to sizes only and must not be solely relied on for critical design information.

Bushes - Steel - DU - Split - Unflanged

| Part Number | Nominal ID (Di) mm <i>inches</i> | Nominal Outside Diameter (Do) mm <i>inches</i> | Length (B) mm <i>inches</i> |
|-----------------------|-------------------------------------|---------------------------------------------------|--------------------------------|
| # BP0921-0968-0889-DU | 92.075 <i>3.625</i> | 96.830 <i>3.812</i> | 88.900 <i>3.500</i> |
| # BP0921-0968-0953-DU | 92.075 <i>3.625</i> | 96.830 <i>3.812</i> | 95.250 <i>3.750</i> |
| # BP0921-0968-1016-DU | 92.075 <i>3.625</i> | 96.830 <i>3.812</i> | 101.600 <i>4.000</i> |
| # BP0921-0968-1143-DU | 92.075 <i>3.625</i> | 96.830 <i>3.812</i> | 114.300 <i>4.500</i> |
| # BP0921-0968-1207-DU | 92.075 <i>3.625</i> | 96.830 <i>3.812</i> | 120.650 <i>4.750</i> |
| # BP0950-1000-0500-DU | 95.000 <i>3.740</i> | 100.000 <i>3.937</i> | 50.000 <i>1.969</i> |
| # BP0950-1000-0600-DU | 95.000 <i>3.740</i> | 100.000 <i>3.937</i> | 60.000 <i>2.362</i> |
| # BP0950-1000-0800-DU | 95.000 <i>3.740</i> | 100.000 <i>3.937</i> | 80.000 <i>3.150</i> |
| # BP0950-1000-1000-DU | 95.000 <i>3.740</i> | 100.000 <i>3.937</i> | 100.000 <i>3.937</i> |
| # BP0953-0998-0508-DU | 95.250 <i>3.750</i> | 99.822 <i>3.930</i> | 50.800 <i>2.000</i> |

Indicates item not stocked at time of printing - Please enquire for lead time

E&OE Pricing and all details subject to change without notice - Copyright Miniature Bearings Australia Pty Ltd

MBA Size Listings are a guide to sizes only and must not be solely relied on for critical design information.

Bushes - Steel - DU - Split - Unflanged

| Part Number | Nominal ID (Di) mm | Nominal Outside Diameter (Do) mm | Length (B) mm |
|-----------------------|-------------------------|----------------------------------|-------------------------|
| | <i>inches</i> | <i>inches</i> | <i>inches</i> |
| # BP0953-0998-0572-DU | 95.250 <i>3.750</i> | 99.822 <i>3.930</i> | 57.150 <i>2.250</i> |
| # BP0953-0998-0635-DU | 95.250 <i>3.750</i> | 99.822 <i>3.930</i> | 63.500 <i>2.500</i> |
| # BP0953-0998-0762-DU | 95.250 <i>3.750</i> | 99.822 <i>3.930</i> | 76.200 <i>3.000</i> |
| # BP0953-0998-0889-DU | 95.250 <i>3.750</i> | 99.822 <i>3.930</i> | 88.900 <i>3.500</i> |
| # BP0953-0998-0953-DU | 95.250 <i>3.750</i> | 99.822 <i>3.930</i> | 95.250 <i>3.750</i> |
| # BP0953-0998-1016-DU | 95.250 <i>3.750</i> | 99.822 <i>3.930</i> | 101.600 <i>4.000</i> |
| # BP0953-0998-1143-DU | 95.250 <i>3.750</i> | 99.822 <i>3.930</i> | 114.300 <i>4.500</i> |
| # BP0953-0998-1207-DU | 95.250 <i>3.750</i> | 99.822 <i>3.930</i> | 120.650 <i>4.750</i> |
| # BP1000-1050-0500-DU | 100.000 <i>3.937</i> | 105.000 <i>4.134</i> | 50.000 <i>1.969</i> |
| # BP1000-1050-0600-DU | 100.000 <i>3.937</i> | 105.000 <i>4.134</i> | 60.000 <i>2.362</i> |

Indicates item not stocked at time of printing - Please enquire for lead time

E&OE Pricing and all details subject to change without notice - Copyright Miniature Bearings Australia Pty Ltd
MBA Size Listings are a guide to sizes only and must not be solely relied on for critical design information.

Bushes - Steel - DU - Split - Unflanged

| Part Number | Nominal ID (Di) mm | Nominal Outside Diameter (Do) mm | Length (B) mm |
|-----------------------|-------------------------|----------------------------------|-------------------------|
| | <i>inches</i> | <i>inches</i> | <i>inches</i> |
| # BP1000-1050-0800-DU | 100.000 <i>3.937</i> | 105.000 <i>4.134</i> | 80.000 <i>3.150</i> |
| # BP1000-1050-1150-DU | 100.000 <i>3.937</i> | 105.000 <i>4.134</i> | 115.000 <i>4.528</i> |
| # BP1016-1064-0508-DU | 101.600 <i>4.000</i> | 106.350 <i>4.187</i> | 50.800 <i>2.000</i> |
| # BP1016-1064-0572-DU | 101.600 <i>4.000</i> | 106.350 <i>4.187</i> | 57.150 <i>2.250</i> |
| # BP1016-1064-0635-DU | 101.600 <i>4.000</i> | 106.350 <i>4.187</i> | 63.500 <i>2.500</i> |
| # BP1016-1064-0762-DU | 101.600 <i>4.000</i> | 106.350 <i>4.187</i> | 76.200 <i>3.000</i> |
| # BP1016-1064-0889-DU | 101.600 <i>4.000</i> | 106.350 <i>4.187</i> | 88.900 <i>3.500</i> |
| # BP1016-1064-0953-DU | 101.600 <i>4.000</i> | 106.350 <i>4.187</i> | 95.250 <i>3.750</i> |
| # BP1016-1064-1016-DU | 101.600 <i>4.000</i> | 106.350 <i>4.187</i> | 101.600 <i>4.000</i> |
| # BP1016-1064-1143-DU | 101.600 <i>4.000</i> | 106.350 <i>4.187</i> | 114.300 <i>4.500</i> |

Indicates item not stocked at time of printing - Please enquire for lead time

E&OE Pricing and all details subject to change without notice - Copyright Miniature Bearings Australia Pty Ltd

MBA Size Listings are a guide to sizes only and must not be solely relied on for critical design information.

Bushes - Steel - DU - Split - Unflanged

| Part Number | Nominal ID (Di) mm <i>inches</i> | Nominal Outside Diameter (Do) mm <i>inches</i> | Length (B) mm <i>inches</i> |
|-----------------------|-------------------------------------|---------------------------------------------------|--------------------------------|
| # BP1016-1064-1207-DU | 101.600 <i>4.000</i> | 106.350 <i>4.187</i> | 120.650 <i>4.750</i> |
| # BP1050-1100-0600-DU | 105.000 <i>4.134</i> | 110.000 <i>4.331</i> | 60.000 <i>2.362</i> |
| # BP1050-1100-0800-DU | 105.000 <i>4.134</i> | 110.000 <i>4.331</i> | 80.000 <i>3.150</i> |
| # BP1050-1100-1150-DU | 105.000 <i>4.134</i> | 110.000 <i>4.331</i> | 115.000 <i>4.528</i> |
| # BP1080-1127-0508-DU | 107.950 <i>4.250</i> | 112.700 <i>4.437</i> | 50.800 <i>2.000</i> |
| # BP1080-1127-0572-DU | 107.950 <i>4.250</i> | 112.700 <i>4.437</i> | 57.150 <i>2.250</i> |
| # BP1080-1127-0635-DU | 107.950 <i>4.250</i> | 112.700 <i>4.437</i> | 63.500 <i>2.500</i> |
| # BP1080-1127-0762-DU | 107.950 <i>4.250</i> | 112.700 <i>4.437</i> | 76.200 <i>3.000</i> |
| # BP1080-1127-0889-DU | 107.950 <i>4.250</i> | 112.700 <i>4.437</i> | 88.900 <i>3.500</i> |
| # BP1080-1127-0953-DU | 107.950 <i>4.250</i> | 112.700 <i>4.437</i> | 95.250 <i>3.750</i> |

Indicates item not stocked at time of printing - Please enquire for lead time

E&OE Pricing and all details subject to change without notice - Copyright Miniature Bearings Australia Pty Ltd
MBA Size Listings are a guide to sizes only and must not be solely relied on for critical design information.

Bushes - Steel - DU - Split - Unflanged

| Part Number | Nominal ID (Di) mm | Nominal Outside Diameter (Do) mm | Length (B) mm |
|-----------------------|-------------------------|----------------------------------|-------------------------|
| | <i>inches</i> | <i>inches</i> | <i>inches</i> |
| # BP1080-1127-1016-DU | 107.950 <i>4.250</i> | 112.700 <i>4.437</i> | 101.600 <i>4.000</i> |
| # BP1080-1127-1143-DU | 107.950 <i>4.250</i> | 112.700 <i>4.437</i> | 114.300 <i>4.500</i> |
| # BP1080-1127-1207-DU | 107.950 <i>4.250</i> | 112.700 <i>4.437</i> | 120.650 <i>4.750</i> |
| # BP1100-1150-0600-DU | 110.000 <i>4.331</i> | 115.000 <i>4.528</i> | 60.000 <i>2.362</i> |
| # BP1100-1150-0800-DU | 110.000 <i>4.331</i> | 115.000 <i>4.528</i> | 80.000 <i>3.150</i> |
| # BP1100-1150-1150-DU | 110.000 <i>4.331</i> | 115.000 <i>4.528</i> | 115.000 <i>4.528</i> |
| # BP1111-1158-0508-DU | 111.125 <i>4.375</i> | 115.824 <i>4.560</i> | 50.800 <i>2.000</i> |
| # BP1111-1158-0572-DU | 111.125 <i>4.375</i> | 115.824 <i>4.560</i> | 57.150 <i>2.250</i> |
| # BP1111-1158-0635-DU | 111.125 <i>4.375</i> | 115.824 <i>4.560</i> | 63.500 <i>2.500</i> |
| # BP1111-1158-0762-DU | 111.125 <i>4.375</i> | 115.824 <i>4.560</i> | 76.200 <i>3.000</i> |

Indicates item not stocked at time of printing - Please enquire for lead time

E&OE Pricing and all details subject to change without notice - Copyright Miniature Bearings Australia Pty Ltd

MBA Size Listings are a guide to sizes only and must not be solely relied on for critical design information.

Bushes - Steel - DU - Split - Unflanged

| Part Number | Nominal ID (Di) mm | Nominal Outside Diameter (Do) mm | Length (B) mm |
|-----------------------|-------------------------|----------------------------------|-------------------------|
| | <i>inches</i> | <i>inches</i> | <i>inches</i> |
| # BP1111-1158-0889-DU | 111.125 <i>4.375</i> | 115.824 <i>4.560</i> | 88.900 <i>3.500</i> |
| # BP1111-1158-0953-DU | 111.125 <i>4.375</i> | 115.824 <i>4.560</i> | 95.250 <i>3.750</i> |
| # BP1111-1158-1016-DU | 111.125 <i>4.375</i> | 115.824 <i>4.560</i> | 101.600 <i>4.000</i> |
| # BP1111-1158-1143-DU | 111.125 <i>4.375</i> | 115.824 <i>4.560</i> | 114.300 <i>4.500</i> |
| # BP1111-1158-1207-DU | 111.125 <i>4.375</i> | 115.824 <i>4.560</i> | 120.650 <i>4.750</i> |
| # BP1143-1189-0508-DU | 114.300 <i>4.500</i> | 118.872 <i>4.680</i> | 50.800 <i>2.000</i> |
| # BP1143-1189-0572-DU | 114.300 <i>4.500</i> | 118.872 <i>4.680</i> | 57.150 <i>2.250</i> |
| # BP1143-1189-0635-DU | 114.300 <i>4.500</i> | 118.872 <i>4.680</i> | 63.500 <i>2.500</i> |
| # BP1143-1189-0762-DU | 114.300 <i>4.500</i> | 118.872 <i>4.680</i> | 76.200 <i>3.000</i> |
| # BP1143-1189-0889-DU | 114.300 <i>4.500</i> | 118.872 <i>4.680</i> | 88.900 <i>3.500</i> |

Indicates item not stocked at time of printing - Please enquire for lead time

E&OE Pricing and all details subject to change without notice - Copyright Miniature Bearings Australia Pty Ltd
MBA Size Listings are a guide to sizes only and must not be solely relied on for critical design information.

Bushes - Steel - DU - Split - Unflanged

| Part Number | Nominal ID (Di) mm | Nominal Outside Diameter (Do) mm | Length (B) mm |
|-----------------------|-------------------------|----------------------------------|-------------------------|
| | <i>inches</i> | <i>inches</i> | <i>inches</i> |
| # BP1143-1189-0953-DU | 114.300 <i>4.500</i> | 118.872 <i>4.680</i> | 95.250 <i>3.750</i> |
| # BP1143-1189-1016-DU | 114.300 <i>4.500</i> | 118.872 <i>4.680</i> | 101.600 <i>4.000</i> |
| # BP1143-1189-1143-DU | 114.300 <i>4.500</i> | 118.872 <i>4.680</i> | 114.300 <i>4.500</i> |
| # BP1143-1189-1207-DU | 114.300 <i>4.500</i> | 118.872 <i>4.680</i> | 120.650 <i>4.750</i> |
| # BP1150-1200-0500-DU | 115.000 <i>4.528</i> | 120.000 <i>4.724</i> | 50.000 <i>1.969</i> |
| # BP1150-1200-0700-DU | 115.000 <i>4.528</i> | 120.000 <i>4.724</i> | 70.000 <i>2.756</i> |
| # BP1200-1250-0500-DU | 120.000 <i>4.724</i> | 125.000 <i>4.921</i> | 50.000 <i>1.969</i> |
| # BP1200-1250-0600-DU | 120.000 <i>4.724</i> | 125.000 <i>4.921</i> | 60.000 <i>2.362</i> |
| # BP1200-1250-0800-DU | 120.000 <i>4.724</i> | 125.000 <i>4.921</i> | 80.000 <i>3.150</i> |
| # BP1200-1250-1000-DU | 120.000 <i>4.724</i> | 125.000 <i>4.921</i> | 100.000 <i>3.937</i> |

Indicates item not stocked at time of printing - Please enquire for lead time

E&OE Pricing and all details subject to change without notice - Copyright Miniature Bearings Australia Pty Ltd

MBA Size Listings are a guide to sizes only and must not be solely relied on for critical design information.

Bushes - Steel - DU - Split - Unflanged

| Part Number | Nominal ID (Di) mm <i>inches</i> | Nominal Outside Diameter (Do) mm <i>inches</i> | Length (B) mm <i>inches</i> |
|-----------------------|-------------------------------------|---------------------------------------------------|--------------------------------|
| # BP1207-1252-0508-DU | 120.650 <i>4.750</i> | 125.222 <i>4.930</i> | 50.800 <i>2.000</i> |
| # BP1207-1252-0572-DU | 120.650 <i>4.750</i> | 125.222 <i>4.930</i> | 57.150 <i>2.250</i> |
| # BP1207-1252-0635-DU | 120.650 <i>4.750</i> | 125.222 <i>4.930</i> | 63.500 <i>2.500</i> |
| # BP1207-1252-0762-DU | 120.650 <i>4.750</i> | 125.222 <i>4.930</i> | 76.200 <i>3.000</i> |
| # BP1207-1252-0889-DU | 120.650 <i>4.750</i> | 125.222 <i>4.930</i> | 88.900 <i>3.500</i> |
| # BP1207-1252-0953-DU | 120.650 <i>4.750</i> | 125.222 <i>4.930</i> | 95.250 <i>3.750</i> |
| # BP1207-1252-1016-DU | 120.650 <i>4.750</i> | 125.222 <i>4.930</i> | 101.600 <i>4.000</i> |
| # BP1207-1252-1143-DU | 120.650 <i>4.750</i> | 125.222 <i>4.930</i> | 114.300 <i>4.500</i> |
| # BP1207-1252-1207-DU | 120.650 <i>4.750</i> | 125.222 <i>4.930</i> | 120.650 <i>4.750</i> |
| # BP1250-1300-0600-DU | 125.000 <i>4.921</i> | 130.000 <i>5.118</i> | 60.000 <i>2.362</i> |

Indicates item not stocked at time of printing - Please enquire for lead time

E&OE Pricing and all details subject to change without notice - Copyright Miniature Bearings Australia Pty Ltd

MBA Size Listings are a guide to sizes only and must not be solely relied on for critical design information.

Bushes - Steel - DU - Split - Unflanged

| Part Number | Nominal ID (Di) mm | Nominal Outside Diameter (Do) mm | Length (B) mm |
|-----------------------|-------------------------|----------------------------------|-------------------------|
| | <i>inches</i> | <i>inches</i> | <i>inches</i> |
| # BP1250-1300-1000-DU | 125.000 <i>4.921</i> | 130.000 <i>5.118</i> | 100.000 <i>3.937</i> |
| # BP1250-1300-1150-DU | 125.000 <i>4.921</i> | 130.000 <i>5.118</i> | 115.000 <i>4.528</i> |
| # BP1270-1316-0508-DU | 127.000 <i>5.000</i> | 131.572 <i>5.180</i> | 50.800 <i>2.000</i> |
| # BP1270-1316-0572-DU | 127.000 <i>5.000</i> | 131.572 <i>5.180</i> | 57.150 <i>2.250</i> |
| # BP1270-1316-0635-DU | 127.000 <i>5.000</i> | 131.572 <i>5.180</i> | 63.500 <i>2.500</i> |
| # BP1270-1316-0762-DU | 127.000 <i>5.000</i> | 131.572 <i>5.180</i> | 76.200 <i>3.000</i> |
| # BP1270-1316-0889-DU | 127.000 <i>5.000</i> | 131.572 <i>5.180</i> | 88.900 <i>3.500</i> |
| # BP1270-1316-0953-DU | 127.000 <i>5.000</i> | 131.572 <i>5.180</i> | 95.250 <i>3.750</i> |
| # BP1270-1316-1016-DU | 127.000 <i>5.000</i> | 131.572 <i>5.180</i> | 101.600 <i>4.000</i> |
| # BP1270-1316-1143-DU | 127.000 <i>5.000</i> | 131.572 <i>5.180</i> | 114.300 <i>4.500</i> |

Indicates item not stocked at time of printing - Please enquire for lead time

E&OE Pricing and all details subject to change without notice - Copyright Miniature Bearings Australia Pty Ltd

MBA Size Listings are a guide to sizes only and must not be solely relied on for critical design information.

Bushes - Steel - DU - Split - Unflanged

| Part Number | Nominal ID (Di) mm <i>inches</i> | Nominal Outside Diameter (Do) mm <i>inches</i> | Length (B) mm <i>inches</i> |
|-----------------------|-------------------------------------|---------------------------------------------------|--------------------------------|
| # BP1270-1316-1207-DU | 127.000 <i>5.000</i> | 131.572 <i>5.180</i> | 120.650 <i>4.750</i> |
| # BP1300-1350-0600-DU | 130.000 <i>5.118</i> | 135.000 <i>5.315</i> | 60.000 <i>2.362</i> |
| # BP1300-1350-0800-DU | 130.000 <i>5.118</i> | 135.000 <i>5.315</i> | 80.000 <i>3.150</i> |
| # BP1300-1350-1000-DU | 130.000 <i>5.118</i> | 135.000 <i>5.315</i> | 100.000 <i>3.937</i> |
| # BP1334-1379-0508-DU | 133.350 <i>5.250</i> | 137.922 <i>5.430</i> | 50.800 <i>2.000</i> |
| # BP1334-1379-0572-DU | 133.350 <i>5.250</i> | 137.922 <i>5.430</i> | 57.150 <i>2.250</i> |
| # BP1334-1379-0635-DU | 133.350 <i>5.250</i> | 137.922 <i>5.430</i> | 63.500 <i>2.500</i> |
| # BP1334-1379-0762-DU | 133.350 <i>5.250</i> | 137.922 <i>5.430</i> | 76.200 <i>3.000</i> |
| # BP1334-1379-0889-DU | 133.350 <i>5.250</i> | 137.922 <i>5.430</i> | 88.900 <i>3.500</i> |
| # BP1334-1379-0953-DU | 133.350 <i>5.250</i> | 137.922 <i>5.430</i> | 95.250 <i>3.750</i> |

Indicates item not stocked at time of printing - Please enquire for lead time

E&OE Pricing and all details subject to change without notice - Copyright Miniature Bearings Australia Pty Ltd
MBA Size Listings are a guide to sizes only and must not be solely relied on for critical design information.

Bushes - Steel - DU - Split - Unflanged

| Part Number | Nominal ID (Di) mm | Nominal Outside Diameter (Do) mm | Length (B) mm |
|-----------------------|-------------------------|----------------------------------|-------------------------|
| | <i>inches</i> | <i>inches</i> | <i>inches</i> |
| # BP1334-1379-1016-DU | 133.350 <i>5.250</i> | 137.922 <i>5.430</i> | 101.600 <i>4.000</i> |
| # BP1334-1379-1143-DU | 133.350 <i>5.250</i> | 137.922 <i>5.430</i> | 114.300 <i>4.500</i> |
| # BP1334-1379-1207-DU | 133.350 <i>5.250</i> | 137.922 <i>5.430</i> | 120.650 <i>4.750</i> |
| # BP1350-1400-0600-DU | 135.000 <i>5.315</i> | 140.000 <i>5.512</i> | 60.000 <i>2.362</i> |
| # BP1350-1400-0800-DU | 135.000 <i>5.315</i> | 140.000 <i>5.512</i> | 80.000 <i>3.150</i> |
| # BP1397-1443-0508-DU | 139.700 <i>5.500</i> | 144.272 <i>5.680</i> | 50.800 <i>2.000</i> |
| # BP1397-1443-0572-DU | 139.700 <i>5.500</i> | 144.272 <i>5.680</i> | 57.150 <i>2.250</i> |
| # BP1397-1443-0635-DU | 139.700 <i>5.500</i> | 144.272 <i>5.680</i> | 63.500 <i>2.500</i> |
| # BP1397-1443-0762-DU | 139.700 <i>5.500</i> | 144.272 <i>5.680</i> | 76.200 <i>3.000</i> |
| # BP1397-1443-0889-DU | 139.700 <i>5.500</i> | 144.272 <i>5.680</i> | 88.900 <i>3.500</i> |

Indicates item not stocked at time of printing - Please enquire for lead time

E&OE Pricing and all details subject to change without notice - Copyright Miniature Bearings Australia Pty Ltd
MBA Size Listings are a guide to sizes only and must not be solely relied on for critical design information.

Bushes - Steel - DU - Split - Unflanged

| Part Number | Nominal ID (Di) mm | Nominal Outside Diameter (Do) mm | Length (B) mm |
|-----------------------|-------------------------|----------------------------------|-------------------------|
| | <i>inches</i> | <i>inches</i> | <i>inches</i> |
| # BP1397-1443-0953-DU | 139.700 <i>5.500</i> | 144.272 <i>5.680</i> | 95.250 <i>3.750</i> |
| # BP1397-1443-1016-DU | 139.700 <i>5.500</i> | 144.272 <i>5.680</i> | 101.600 <i>4.000</i> |
| # BP1397-1443-1143-DU | 139.700 <i>5.500</i> | 144.272 <i>5.680</i> | 114.300 <i>4.500</i> |
| # BP1397-1443-1207-DU | 139.700 <i>5.500</i> | 144.272 <i>5.680</i> | 120.650 <i>4.750</i> |
| # BP1400-1450-0600-DU | 140.000 <i>5.512</i> | 145.000 <i>5.709</i> | 60.000 <i>2.362</i> |
| # BP1400-1450-0800-DU | 140.000 <i>5.512</i> | 145.000 <i>5.709</i> | 80.000 <i>3.150</i> |
| # BP1400-1450-1000-DU | 140.000 <i>5.512</i> | 145.000 <i>5.709</i> | 100.000 <i>3.937</i> |
| # BP1461-1506-0508-DU | 146.050 <i>5.750</i> | 150.622 <i>5.930</i> | 50.800 <i>2.000</i> |
| # BP1461-1506-0572-DU | 146.050 <i>5.750</i> | 150.622 <i>5.930</i> | 57.150 <i>2.250</i> |
| # BP1461-1506-0635-DU | 146.050 <i>5.750</i> | 150.622 <i>5.930</i> | 63.500 <i>2.500</i> |

Indicates item not stocked at time of printing - Please enquire for lead time

E&OE Pricing and all details subject to change without notice - Copyright Miniature Bearings Australia Pty Ltd

MBA Size Listings are a guide to sizes only and must not be solely relied on for critical design information.

Bushes - Steel - DU - Split - Unflanged

| Part Number | Nominal ID (Di) mm | Nominal Outside Diameter (Do) mm | Length (B) mm |
|-----------------------|-------------------------|----------------------------------|-------------------------|
| | <i>inches</i> | <i>inches</i> | <i>inches</i> |
| # BP1461-1506-0762-DU | 146.050 <i>5.750</i> | 150.622 <i>5.930</i> | 76.200 <i>3.000</i> |
| # BP1461-1506-0889-DU | 146.050 <i>5.750</i> | 150.622 <i>5.930</i> | 88.900 <i>3.500</i> |
| # BP1461-1506-0953-DU | 146.050 <i>5.750</i> | 150.622 <i>5.930</i> | 95.250 <i>3.750</i> |
| # BP1461-1506-1016-DU | 146.050 <i>5.750</i> | 150.622 <i>5.930</i> | 101.600 <i>4.000</i> |
| # BP1461-1506-1143-DU | 146.050 <i>5.750</i> | 150.622 <i>5.930</i> | 114.300 <i>4.500</i> |
| # BP1461-1506-1207-DU | 146.050 <i>5.750</i> | 150.622 <i>5.930</i> | 120.650 <i>4.750</i> |
| # BP1500-1550-0600-DU | 150.000 <i>5.906</i> | 155.000 <i>6.102</i> | 60.000 <i>2.362</i> |
| # BP1500-1550-0800-DU | 150.000 <i>5.906</i> | 155.000 <i>6.102</i> | 80.000 <i>3.150</i> |
| # BP1500-1550-1000-DU | 150.000 <i>5.906</i> | 155.000 <i>6.102</i> | 100.000 <i>3.937</i> |
| # BP1524-1572-0508-DU | 152.400 <i>6.000</i> | 157.150 <i>6.187</i> | 50.800 <i>2.000</i> |

Indicates item not stocked at time of printing - Please enquire for lead time

E&OE Pricing and all details subject to change without notice - Copyright Miniature Bearings Australia Pty Ltd

MBA Size Listings are a guide to sizes only and must not be solely relied on for critical design information.

Bushes - Steel - DU - Split - Unflanged

| Part Number | Nominal ID (Di) mm <i>inches</i> | Nominal Outside Diameter (Do) mm <i>inches</i> | Length (B) mm <i>inches</i> |
|-----------------------|-------------------------------------|---------------------------------------------------|--------------------------------|
| # BP1524-1572-0572-DU | 152.400 <i>6.000</i> | 157.150 <i>6.187</i> | 57.150 <i>2.250</i> |
| # BP1524-1572-0635-DU | 152.400 <i>6.000</i> | 157.150 <i>6.187</i> | 63.500 <i>2.500</i> |
| # BP1524-1572-0762-DU | 152.400 <i>6.000</i> | 157.150 <i>6.187</i> | 76.200 <i>3.000</i> |
| # BP1524-1572-0889-DU | 152.400 <i>6.000</i> | 157.150 <i>6.187</i> | 88.900 <i>3.500</i> |
| # BP1524-1572-0953-DU | 152.400 <i>6.000</i> | 157.150 <i>6.187</i> | 95.250 <i>3.750</i> |
| # BP1524-1572-1016-DU | 152.400 <i>6.000</i> | 157.150 <i>6.187</i> | 101.600 <i>4.000</i> |
| # BP1524-1572-1143-DU | 152.400 <i>6.000</i> | 157.150 <i>6.187</i> | 114.300 <i>4.500</i> |
| # BP1524-1572-1207-DU | 152.400 <i>6.000</i> | 157.150 <i>6.187</i> | 120.650 <i>4.750</i> |
| # BP1588-1635-0508-DU | 158.750 <i>6.250</i> | 163.513 <i>6.438</i> | 50.800 <i>2.000</i> |
| # BP1588-1635-0572-DU | 158.750 <i>6.250</i> | 163.513 <i>6.438</i> | 57.150 <i>2.250</i> |

Indicates item not stocked at time of printing - Please enquire for lead time

E&OE Pricing and all details subject to change without notice - Copyright Miniature Bearings Australia Pty Ltd
MBA Size Listings are a guide to sizes only and must not be solely relied on for critical design information.

Bushes - Steel - DU - Split - Unflanged

| Part Number | Nominal ID (Di) mm | Nominal Outside Diameter (Do) mm | Length (B) mm |
|-----------------------|-------------------------|----------------------------------|-------------------------|
| | <i>inches</i> | <i>inches</i> | <i>inches</i> |
| # BP1588-1635-0635-DU | 158.750 <i>6.250</i> | 163.513 <i>6.438</i> | 63.500 <i>2.500</i> |
| # BP1588-1635-0762-DU | 158.750 <i>6.250</i> | 163.513 <i>6.438</i> | 76.200 <i>3.000</i> |
| # BP1588-1635-0889-DU | 158.750 <i>6.250</i> | 163.513 <i>6.438</i> | 88.900 <i>3.500</i> |
| # BP1588-1635-0953-DU | 158.750 <i>6.250</i> | 163.513 <i>6.438</i> | 95.250 <i>3.750</i> |
| # BP1588-1635-1016-DU | 158.750 <i>6.250</i> | 163.513 <i>6.438</i> | 101.600 <i>4.000</i> |
| # BP1588-1635-1143-DU | 158.750 <i>6.250</i> | 163.513 <i>6.438</i> | 114.300 <i>4.500</i> |
| # BP1588-1635-1207-DU | 158.750 <i>6.250</i> | 163.513 <i>6.438</i> | 120.650 <i>4.750</i> |
| # BP1600-1650-0600-DU | 160.000 <i>6.299</i> | 165.000 <i>6.496</i> | 60.000 <i>2.362</i> |
| # BP1600-1650-0800-DU | 160.000 <i>6.299</i> | 165.000 <i>6.496</i> | 80.000 <i>3.150</i> |
| # BP1600-1650-1000-DU | 160.000 <i>6.299</i> | 165.000 <i>6.496</i> | 100.000 <i>3.937</i> |

Indicates item not stocked at time of printing - Please enquire for lead time

E&OE Pricing and all details subject to change without notice - Copyright Miniature Bearings Australia Pty Ltd
MBA Size Listings are a guide to sizes only and must not be solely relied on for critical design information.

Bushes - Steel - DU - Split - Unflanged

| Part Number | Nominal ID (Di) mm <i>inches</i> | Nominal Outside Diameter (Do) mm <i>inches</i> | Length (B) mm <i>inches</i> |
|-----------------------|-------------------------------------|---------------------------------------------------|--------------------------------|
| # BP1600-1650-1150-DU | 160.000 <i>6.299</i> | 165.000 <i>6.496</i> | 115.000 <i>4.528</i> |
| # BP1651-1697-0508-DU | 165.100 <i>6.500</i> | 169.672 <i>6.680</i> | 50.800 <i>2.000</i> |
| # BP1651-1697-0572-DU | 165.100 <i>6.500</i> | 169.672 <i>6.680</i> | 57.150 <i>2.250</i> |
| # BP1651-1697-0635-DU | 165.100 <i>6.500</i> | 169.672 <i>6.680</i> | 63.500 <i>2.500</i> |
| # BP1651-1697-0762-DU | 165.100 <i>6.500</i> | 169.672 <i>6.680</i> | 76.200 <i>3.000</i> |
| # BP1651-1697-0889-DU | 165.100 <i>6.500</i> | 169.672 <i>6.680</i> | 88.900 <i>3.500</i> |
| # BP1651-1697-0953-DU | 165.100 <i>6.500</i> | 169.672 <i>6.680</i> | 95.250 <i>3.750</i> |
| # BP1651-1697-1016-DU | 165.100 <i>6.500</i> | 169.672 <i>6.680</i> | 101.600 <i>4.000</i> |
| # BP1651-1697-1143-DU | 165.100 <i>6.500</i> | 169.672 <i>6.680</i> | 114.300 <i>4.500</i> |
| # BP1651-1697-1207-DU | 165.100 <i>6.500</i> | 169.672 <i>6.680</i> | 120.650 <i>4.750</i> |

Indicates item not stocked at time of printing - Please enquire for lead time

E&OE Pricing and all details subject to change without notice - Copyright Miniature Bearings Australia Pty Ltd

MBA Size Listings are a guide to sizes only and must not be solely relied on for critical design information.

Bushes - Steel - DU - Split - Unflanged

| Part Number | Nominal ID (Di) mm <i>inches</i> | Nominal Outside Diameter (Do) mm <i>inches</i> | Length (B) mm <i>inches</i> |
|-----------------------|-------------------------------------|---------------------------------------------------|--------------------------------|
| # BP1715-1760-0508-DU | 171.450 <i>6.750</i> | 176.022 <i>6.930</i> | 50.800 <i>2.000</i> |
| # BP1715-1760-0572-DU | 171.450 <i>6.750</i> | 176.022 <i>6.930</i> | 57.150 <i>2.250</i> |
| # BP1715-1760-0635-DU | 171.450 <i>6.750</i> | 176.022 <i>6.930</i> | 63.500 <i>2.500</i> |
| # BP1715-1760-0762-DU | 171.450 <i>6.750</i> | 176.022 <i>6.930</i> | 76.200 <i>3.000</i> |
| # BP1715-1760-0889-DU | 171.450 <i>6.750</i> | 176.022 <i>6.930</i> | 88.900 <i>3.500</i> |
| # BP1715-1760-0953-DU | 171.450 <i>6.750</i> | 176.022 <i>6.930</i> | 95.250 <i>3.750</i> |
| # BP1715-1760-1016-DU | 171.450 <i>6.750</i> | 176.022 <i>6.930</i> | 101.600 <i>4.000</i> |
| # BP1715-1760-1143-DU | 171.450 <i>6.750</i> | 176.022 <i>6.930</i> | 114.300 <i>4.500</i> |
| # BP1715-1760-1207-DU | 171.450 <i>6.750</i> | 176.022 <i>6.930</i> | 120.650 <i>4.750</i> |
| # BP1778-1824-0508-DU | 177.800 <i>7.000</i> | 182.372 <i>7.180</i> | 50.800 <i>2.000</i> |

Indicates item not stocked at time of printing - Please enquire for lead time

E&OE Pricing and all details subject to change without notice - Copyright Miniature Bearings Australia Pty Ltd
MBA Size Listings are a guide to sizes only and must not be solely relied on for critical design information.

Bushes - Steel - DU - Split - Unflanged

| Part Number | Nominal ID (Di) mm | Nominal Outside Diameter (Do) mm | Length (B) mm |
|-----------------------|-------------------------|----------------------------------|-------------------------|
| | <i>inches</i> | <i>inches</i> | <i>inches</i> |
| # BP1778-1824-0572-DU | 177.800 <i>7.000</i> | 182.372 <i>7.180</i> | 57.150 <i>2.250</i> |
| # BP1778-1824-0635-DU | 177.800 <i>7.000</i> | 182.372 <i>7.180</i> | 63.500 <i>2.500</i> |
| # BP1778-1824-0762-DU | 177.800 <i>7.000</i> | 182.372 <i>7.180</i> | 76.200 <i>3.000</i> |
| # BP1778-1824-0889-DU | 177.800 <i>7.000</i> | 182.372 <i>7.180</i> | 88.900 <i>3.500</i> |
| # BP1778-1824-0953-DU | 177.800 <i>7.000</i> | 182.372 <i>7.180</i> | 95.250 <i>3.750</i> |
| # BP1778-1824-1016-DU | 177.800 <i>7.000</i> | 182.372 <i>7.180</i> | 101.600 <i>4.000</i> |
| # BP1778-1824-1143-DU | 177.800 <i>7.000</i> | 182.372 <i>7.180</i> | 114.300 <i>4.500</i> |
| # BP1778-1824-1207-DU | 177.800 <i>7.000</i> | 182.372 <i>7.180</i> | 120.650 <i>4.750</i> |
| # BP1800-1850-0800-DU | 180.000 <i>7.087</i> | 185.000 <i>7.283</i> | 80.000 <i>3.150</i> |
| # BP1800-1850-1000-DU | 180.000 <i>7.087</i> | 185.000 <i>7.283</i> | 100.000 <i>3.937</i> |

Indicates item not stocked at time of printing - Please enquire for lead time

E&OE Pricing and all details subject to change without notice - Copyright Miniature Bearings Australia Pty Ltd

MBA Size Listings are a guide to sizes only and must not be solely relied on for critical design information.

Bushes - Steel - DU - Split - Unflanged

| Part Number | Nominal ID (Di) mm <i>inches</i> | Nominal Outside Diameter (Do) mm <i>inches</i> | Length (B) mm <i>inches</i> |
|-----------------------|-------------------------------------|---------------------------------------------------|--------------------------------|
| # BP1900-1950-0800-DU | 190.000 <i>7.480</i> | 195.000 <i>7.677</i> | 80.000 <i>3.150</i> |
| # BP1900-1950-1000-DU | 190.000 <i>7.480</i> | 195.000 <i>7.677</i> | 100.000 <i>3.937</i> |
| # BP2000-2050-0600-DU | 200.000 <i>7.874</i> | 205.000 <i>8.071</i> | 60.000 <i>2.362</i> |
| # BP2000-2050-0800-DU | 200.000 <i>7.874</i> | 205.000 <i>8.071</i> | 80.000 <i>3.150</i> |
| # BP2000-2050-1000-DU | 200.000 <i>7.874</i> | 205.000 <i>8.071</i> | 100.000 <i>3.937</i> |
| # BP2100-2150-1000-DU | 210.000 <i>8.268</i> | 215.000 <i>8.465</i> | 100.000 <i>3.937</i> |
| # BP2200-2250-0800-DU | 220.000 <i>8.661</i> | 225.000 <i>8.858</i> | 80.000 <i>3.150</i> |
| # BP2200-2250-1000-DU | 220.000 <i>8.661</i> | 225.000 <i>8.858</i> | 100.000 <i>3.937</i> |
| # BP2500-2550-0800-DU | 250.000 <i>9.843</i> | 255.000 <i>10.039</i> | 80.000 <i>3.150</i> |
| # BP2500-2550-1000-DU | 250.000 <i>9.843</i> | 255.000 <i>10.039</i> | 100.000 <i>3.937</i> |

Indicates item not stocked at time of printing - Please enquire for lead time

E&OE Pricing and all details subject to change without notice - Copyright Miniature Bearings Australia Pty Ltd
MBA Size Listings are a guide to sizes only and must not be solely relied on for critical design information.

Bushes - Steel - DU - Split - Unflanged

| Part Number | Nominal ID (Di) mm | Nominal Outside Diameter (Do) mm | Length (B) mm |
|-----------------------|--------------------------|----------------------------------|-------------------------|
| | <i>inches</i> | <i>inches</i> | <i>inches</i> |
| # BP2600-2650-0800-DU | 260.000 <i>10.236</i> | 265.000 <i>10.433</i> | 80.000 <i>3.150</i> |
| # BP2600-2650-1000-DU | 260.000 <i>10.236</i> | 265.000 <i>10.433</i> | 100.000 <i>3.937</i> |
| # BP2800-2850-0800-DU | 280.000 <i>11.024</i> | 285.000 <i>11.220</i> | 80.000 <i>3.150</i> |
| # BP2800-2850-1000-DU | 280.000 <i>11.024</i> | 285.000 <i>11.220</i> | 100.000 <i>3.937</i> |
| # BP3000-3050-0800-DU | 300.000 <i>11.811</i> | 305.000 <i>12.008</i> | 80.000 <i>3.150</i> |
| # BP3000-3050-1000-DU | 300.000 <i>11.811</i> | 305.000 <i>12.008</i> | 100.000 <i>3.937</i> |

Indicates item not stocked at time of printing - Please enquire for lead time

E&OE Pricing and all details subject to change without notice - Copyright Miniature Bearings Australia Pty Ltd
MBA Size Listings are a guide to sizes only and must not be solely relied on for critical design information.

DISTRIBUTED BY

