



Gearmotors - Basic - Hobby - 12.1mm Diameter

6/4/2018

Indicates item not stocked at time of printing - Please enquire for lead time

E&OE Pricing and all details subject to change without notice - Copyright Miniature Bearings Australia Pty Ltd

MBA Size Listings are a guide to sizes only and must not be solely relied on for critical design information.

Page 1 of 4

INFORMATION

Small light weight geared motors used in toys and small solar applications

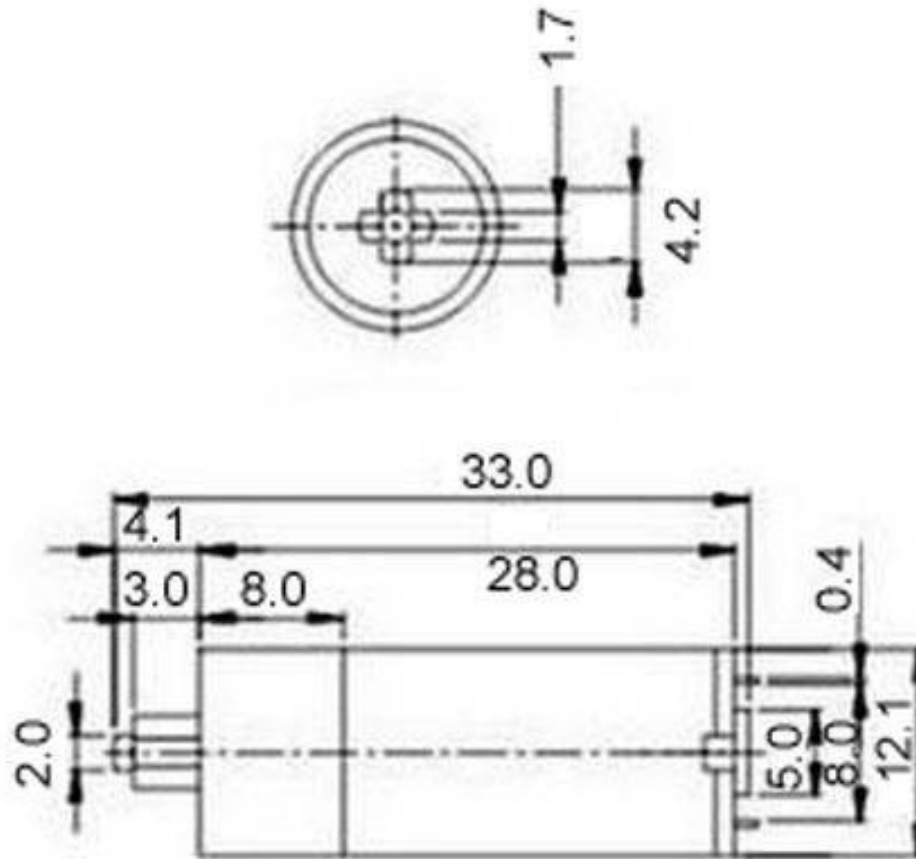
NOTE! These do not have a standard output shaft. The output is a plastic crossed block (see diagram) which is designed to be fitted to a fabricated coupling in O.E.M applications.

However, the plastic block would be suitable for drilling and attaching objects with wire for rotating mobile type applications.

Indicates item not stocked at time of printing - Please enquire for lead time

E&OE Pricing and all details subject to change without notice - Copyright Miniature Bearings Australia Pty Ltd

MBA Size Listings are a guide to sizes only and must not be solely relied on for critical design information.



WEIGHT: 10g (Approx)

Indicates item not stocked at time of printing - Please enquire for lead time

E&OE Pricing and all details subject to change without notice - Copyright Miniature Bearings Australia Pty Ltd

MBA Size Listings are a guide to sizes only and must not be solely relied on for critical design information.

Gearmotors - Basic - Hobby - 12.1mm Diameter

Part Number	Rated Voltage V	Approx Output Speed RPM	Reduction Ratio	Length mm	Max Efficiency Motor Speed RPM	Max Efficiency Motor Current A	Max Efficiency Motor Torque g.cm	Max Efficiency Output Watts W	No Load Motor Speed RPM	No Load Motor Current A
12GM-1-180	1.50	16.60	180:1	28.0 <i>1.102</i>	3000	0.16	5.00	0.03	3500	0.09
# 12GM-2-180	1.50	24.90	180:1	28.0 <i>1.102</i>	4500	0.70	10.00	0.20	5000	0.25
# 12GM-3-180	1.50	27.60	180:1	28.0 <i>1.102</i>	5000	0.50	15.00	0.40	6500	0.10
12GM-1-96	1.50	31.25	96:1	28.0 <i>1.102</i>	3000	0.16	5.00	0.03	3500	0.09
# 12GM-2-110	1.50	40.85	110:1	28.0 <i>1.102</i>	4500	0.70	10.00	0.20	5000	0.25
# 12GM-3-110	1.50	45.40	110:1	28.0 <i>1.102</i>	5000	0.50	15.00	0.40	6500	0.10
# 12GM-2-96	1.50	46.85	96:1	28.0 <i>1.102</i>	4500	0.70	10.00	0.20	5000	0.25
# 12GM-3-96	1.50	52.00	96:1	28.0 <i>1.102</i>	5000	0.50	15.00	0.40	6500	0.10

Indicates item not stocked at time of printing - Please enquire for lead time

Page 4 of 4

E&OE Pricing and all details subject to change without notice - Copyright Miniature Bearings Australia Pty Ltd
MBA Size Listings are a guide to sizes only and must not be solely relied on for critical design information.

DISTRIBUTED BY

