



Housings - Flange Mount - Self Aligning - Delrin AF

6/4/2018

Indicates item not stocked at time of printing - Please enquire for lead time

E&OE Pricing and all details subject to change without notice - Copyright Miniature Bearings Australia Pty Ltd

MBA Size Listings are a guide to sizes only and must not be solely relied on for critical design information.

Page 1 of 7

INFORMATION

Low profile self aligning flange mounted acetal Delrin AF bearings

See links at bottom of web page for more information

+/- 5% Static Alignment

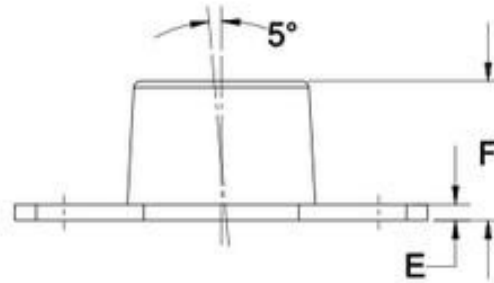
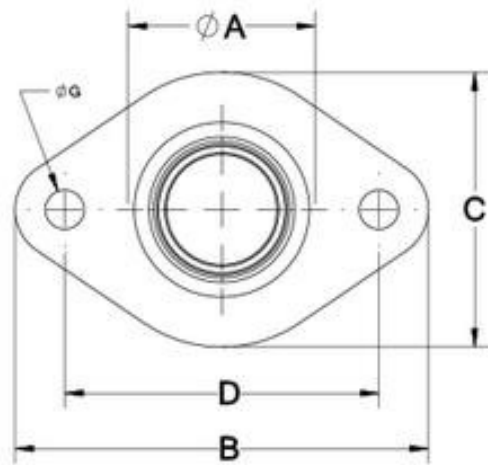
This catalogue to be read in conjunction with information at <http://www.minibearings.com.au/ogue/tech/spyraflo/mountsflanged.pdf>

<http://www.minibearings.com.au/ogue/tech/>

Indicates item not stocked at time of printing - Please enquire for lead time

E&OE Pricing and all details subject to change without notice - Copyright Miniature Bearings Australia Pty Ltd

MBA Size Listings are a guide to sizes only and must not be solely relied on for critical design information.



Indicates item not stocked at time of printing - Please enquire for lead time

E&OE Pricing and all details subject to change without notice - Copyright Miniature Bearings Australia Pty Ltd

MBA Size Listings are a guide to sizes only and must not be solely relied on for critical design information.

Housings - Flange Mount - Self Aligning - Delrin AF

Part Number	Nominal Shaft Size mm	Max. Radial Dynamic Load N	Material	Min to Max Shaft Dia. mm	Max Speed RPM	A (Maximum) mm	B mm	C mm	D mm	More Information
BFM-187-AF	<i>inches</i> 4.762	222	Delrin AF	<i>inches</i> 4.789 to 4.839	3820	<i>inches</i> 10.41	<i>inches</i> 45.72	<i>inches</i> 22.10	<i>inches</i> 30.73	Data Sheet
	<i>0.187</i>					<i>0.410</i>	<i>1.800</i>	<i>0.870</i>	<i>1.210</i>	
BFM-6M-AF	6.000	270	Delrin AF	6.020 to 6.070	1620	11.00	45.00	22.00	31.00	Data Sheet
	<i>0.236</i>					<i>0.433</i>	<i>1.772</i>	<i>0.866</i>	<i>1.220</i>	
BFM-250-AF	6.350	311	Delrin AF	6.375 to 6.426	2890	10.41	45.72	22.10	30.73	Data Sheet
	<i>0.250</i>					<i>0.410</i>	<i>1.800</i>	<i>0.870</i>	<i>1.210</i>	
BFM-312-AF	7.938	534	Delrin AF	7.963 to 8.014	1220	15.08	53.34	30.23	38.86	Data Sheet
	<i>0.313</i>					<i>0.594</i>	<i>2.100</i>	<i>1.190</i>	<i>1.530</i>	

Indicates item not stocked at time of printing - Please enquire for lead time

E&OE Pricing and all details subject to change without notice - Copyright Miniature Bearings Australia Pty Ltd

MBA Size Listings are a guide to sizes only and must not be solely relied on for critical design information.

Housings - Flange Mount - Self Aligning - Delrin AF

Part Number	Nominal Shaft Size mm	Max. Radial Dynamic Load N	Material	Min to Max Shaft Dia. mm	Max Speed RPM	A (Maximum) mm	B mm	C mm	D mm	More Information
# BFM-8M-AF	<i>inches</i> 8.000	530	Delrin AF	<i>inches</i> 8.030 to 8.080	1210	<i>inches</i> 17.00	<i>inches</i> 53.00	<i>inches</i> 30.00	<i>inches</i> 39.00	Data Sheet
	<i>0.315</i>					<i>0.669</i>	<i>2.087</i>	<i>1.181</i>	<i>1.535</i>	
BFM-375-AF	9.525	845	Delrin AF	9.550 to 9.601	1010	16.67	53.34	30.23	38.86	Data Sheet
	<i>0.375</i>					<i>0.656</i>	<i>2.100</i>	<i>1.190</i>	<i>1.530</i>	
BFM-10M-AF	10.000	860	Delrin AF	10.030 to 10.080	970	17.00	53.00	30.00	39.00	Data Sheet
	<i>0.394</i>					<i>0.669</i>	<i>2.087</i>	<i>1.181</i>	<i>1.535</i>	
BFM-12M-AF	12.000	1330	Delrin AF	12.030 to 12.080	810	22.00	60.00	36.50	45.00	Data Sheet
	<i>0.472</i>					<i>0.866</i>	<i>2.362</i>	<i>1.437</i>	<i>1.772</i>	

Indicates item not stocked at time of printing - Please enquire for lead time

E&OE Pricing and all details subject to change without notice - Copyright Miniature Bearings Australia Pty Ltd

MBA Size Listings are a guide to sizes only and must not be solely relied on for critical design information.

Housings - Flange Mount - Self Aligning - Delrin AF

Part Number	Nominal Shaft Size mm	Max. Radial Dynamic Load N	Material	Min to Max Shaft Dia. mm	Max Speed RPM	A (Maximum) mm	B mm	C mm	D mm	More Information
BFM-500-AF	<i>inches</i> 12.700	1423	Delrin AF	<i>inches</i> 12.725 to 12.802	760	<i>inches</i> 21.43	<i>inches</i> 59.69	<i>inches</i> 36.32	<i>inches</i> 45.21	Data Sheet
	<i>0.500</i>					<i>0.844</i>	<i>2.350</i>	<i>1.430</i>	<i>1.780</i>	
# BFM-15M-AF	15.000	1870	Delrin AF	15.030 to 15.080	650	28.00	60.00	39.70	45.00	Data Sheet
	<i>0.591</i>					<i>1.102</i>	<i>2.362</i>	<i>1.563</i>	<i>1.772</i>	
# BFM-625-AF	15.875	2002	Delrin AF	15.800 to 15.951	610	27.78	59.69	39.62	45.21	Data Sheet
	<i>0.625</i>					<i>1.094</i>	<i>2.350</i>	<i>1.560</i>	<i>1.780</i>	
# BFM-18M-AF	18.000	2680	Delrin AF	18.030 to 18.080	540	33.00	60.00	47.00	45.20	Data Sheet
	<i>0.709</i>					<i>1.299</i>	<i>2.362</i>	<i>1.850</i>	<i>1.780</i>	

Indicates item not stocked at time of printing - Please enquire for lead time

E&OE Pricing and all details subject to change without notice - Copyright Miniature Bearings Australia Pty Ltd

MBA Size Listings are a guide to sizes only and must not be solely relied on for critical design information.

Housings - Flange Mount - Self Aligning - Delrin AF

Part Number	Nominal Shaft Size mm	Max. Radial Dynamic Load N	Material	Min to Max Shaft Dia. mm	Max Speed RPM	A (Maximum) mm	B mm	C mm	D mm	More Information
# BFM-750-AF	19.050	2847	Delrin AF	19.075 to 19.126	510	32.54	59.44	46.99	45.21	Data Sheet
	<i>0.750</i>					<i>1.281</i>	<i>2.340</i>	<i>1.850</i>	<i>1.780</i>	

Indicates item not stocked at time of printing - Please enquire for lead time

E&OE Pricing and all details subject to change without notice - Copyright Miniature Bearings Australia Pty Ltd

MBA Size Listings are a guide to sizes only and must not be solely relied on for critical design information.

DISTRIBUTED BY

