



Mounts - Centre Bolt - Solo Unitised

9/4/2018

Indicates item not stocked at time of printing - Please enquire for lead time

E&OE Pricing and all details subject to change without notice - Copyright Miniature Bearings Australia Pty Ltd

MBA Size Listings are a guide to sizes only and must not be solely relied on for critical design information.

INFORMATION

Vibration dampening

Calculate static load and select a mount of equal or greater capacity.

For dynamic loads of 3 x static load select the next larger size.

Lubricate mount and socket with water or rubber lubricant.

Insert into socket and hand rotate with axial force.

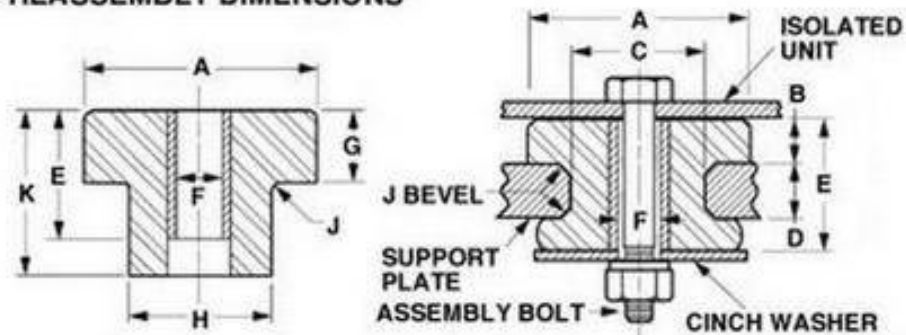
Outer Body : Natural Rubber / Spacer : Rolled Tubular Steel.

Indicates item not stocked at time of printing - Please enquire for lead time

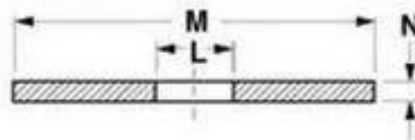
E&OE Pricing and all details subject to change without notice - Copyright Miniature Bearings Australia Pty Ltd

MBA Size Listings are a guide to sizes only and must not be solely relied on for critical design information.

PREASSEMBLY DIMENSIONS



SOLO MOUNTING



**CINCH WASHER
RECOMMENDED DIMENSIONS**

Indicates item not stocked at time of printing - Please enquire for lead time

E&OE Pricing and all details subject to change without notice - Copyright Miniature Bearings Australia Pty Ltd

MBA Size Listings are a guide to sizes only and must not be solely relied on for critical design information.

Mounts - Centre Bolt - Solo Unitised

Part Number	Nom. Load rating kg (lb)	Nom. Deflection mm <i>inches</i>	A mm <i>inches</i>	B mm <i>inches</i>	C mm <i>inches</i>	D mm <i>inches</i>	E mm <i>inches</i>	F mm <i>inches</i>	G / H / J / K mm <i>inches</i>	L (Min) mm <i>inches</i>
CBSU-027-1003	27 (60)	0.01 <i>0.000</i>	25.4 <i>1.000</i>	4.3 <i>0.169</i>	19.1 <i>0.752</i>	3.3 <i>0.130</i>	11.2 <i>0.441</i>	9.7 <i>0.382</i>	4.6 / 19.6 / 0.8 / 14.0	9.7 <i>0.382</i>
CBSU-057-1008	57 (125)	0.02 <i>0.001</i>	27.7 <i>1.091</i>	4.8 <i>0.189</i>	19.1 <i>0.752</i>	7.9 <i>0.311</i>	17.5 <i>0.689</i>	9.7 <i>0.382</i>	5.3 / 19.8 / 0.8 / 24.4	9.7 <i>0.382</i>
# CBSU-091-1316	90 (200)	0.02 <i>0.001</i>	50.8 <i>2.000</i>	12.2 <i>0.480</i>	31.8 <i>1.252</i>	15.7 <i>0.618</i>	35.1 <i>1.382</i>	13.2 <i>0.520</i>	13.2 / 33.3 / 1.5 / 55.4	13.2 <i>0.520</i>
# CBSU-091-1616	90 (200)	0.03 <i>0.001</i>	50.8 <i>2.000</i>	11.7 <i>0.461</i>	31.8 <i>1.252</i>	15.7 <i>0.618</i>	35.1 <i>1.382</i>	16.3 <i>0.642</i>	13.2 / 31.8 / 1.5 / 43.2	16.3 <i>0.642</i>
# CBSU-091-1606	90 (200)	0.03 <i>0.001</i>	50.8 <i>2.000</i>	11.7 <i>0.461</i>	31.8 <i>1.252</i>	6.4 <i>0.252</i>	25.4 <i>1.000</i>	16.3 <i>0.642</i>	13.2 / 31.8 / 1.5 / 33.0	16.3 <i>0.642</i>
# CBSU-091-1006	90 (200)	0.04 <i>0.002</i>	50.8 <i>2.000</i>	11.7 <i>0.461</i>	31.8 <i>1.252</i>	6.4 <i>0.252</i>	25.4 <i>1.000</i>	9.9 <i>0.390</i>	13.2 / 33.5 / 1.5 / 33.0	9.7 <i>0.382</i>
# CBSU-192-1619	192 (425)	0.02 <i>0.001</i>	51.1 <i>2.012</i>	14.2 <i>0.559</i>	38.1 <i>1.500</i>	19.1 <i>0.752</i>	43.4 <i>1.709</i>	16.3 <i>0.642</i>	15.7 / 38.6 / 1.5 / 53.8	16.3 <i>0.642</i>
# CBSU-226-1624	226 (500)	0.03 <i>0.001</i>	76.2 <i>3.000</i>	18.0 <i>0.709</i>	46.0 <i>1.811</i>	23.6 <i>0.929</i>	50.8 <i>2.000</i>	16.3 <i>0.642</i>	20.6 / 46.0 / 3.0 / 61.5	16.3 <i>0.642</i>

Indicates item not stocked at time of printing - Please enquire for lead time

E&OE Pricing and all details subject to change without notice - Copyright Miniature Bearings Australia Pty Ltd
MBA Size Listings are a guide to sizes only and must not be solely relied on for critical design information.

Mounts - Centre Bolt - Solo Unitised

Part Number	Nom. Load rating kg (lb)	Nom. Deflection mm	A mm	B mm	C mm	D mm	E mm	F mm	G / H / J / K mm	L (Min) mm
		<i>inches</i>	<i>inches</i>	<i>inches</i>	<i>inches</i>	<i>inches</i>	<i>inches</i>	<i>inches</i>	<i>inches</i>	<i>inches</i>
CBSU-226-1613	226 (500)	0.03	76.2	19.3	46.0	12.7	39.6	16.3	20.6 / 46.0 / 3.0 / 50.0	16.3
		<i>0.001</i>	<i>3.000</i>	<i>0.760</i>	<i>1.811</i>	<i>0.500</i>	<i>1.559</i>	<i>0.642</i>		<i>0.642</i>
CBSU-407-2019	407 (900)	0.08	95.3	23.9	50.8	19.1	53.8	19.6	29.5 / 52.3 / 2.3 / 67.6	19.6
		<i>0.003</i>	<i>3.752</i>	<i>0.941</i>	<i>2.000</i>	<i>0.752</i>	<i>2.118</i>	<i>0.772</i>		<i>0.772</i>
# CBSU-588-2745	588 (1300)	0.03	115.1	28.4	69.9	44.5	85.6	26.9	31.0 / 69.9 / 3.0 / 110.2	26.9
		<i>0.001</i>	<i>4.531</i>	<i>1.118</i>	<i>2.752</i>	<i>1.752</i>	<i>3.370</i>	<i>1.059</i>		<i>1.059</i>

Indicates item not stocked at time of printing - Please enquire for lead time

E&OE Pricing and all details subject to change without notice - Copyright Miniature Bearings Australia Pty Ltd
MBA Size Listings are a guide to sizes only and must not be solely relied on for critical design information.

DISTRIBUTED BY

Distributed By:

