



# Mounts - Leveling - Anti-Vibration - Studded Type

9/4/2018

# Indicates item not stocked at time of printing - Please enquire for lead time

E&OE Pricing and all details subject to change without notice - Copyright Miniature Bearings Australia Pty Ltd

MBA Size Listings are a guide to sizes only and must not be solely relied on for critical design information.

## INFORMATION

Specifically designed to provide low frequency vibration isolation, leveling and shock attenuation for electronics and machinery. Adjusters.

15<sup>o</sup> swivel off centre to adjust to uneven surfaces.

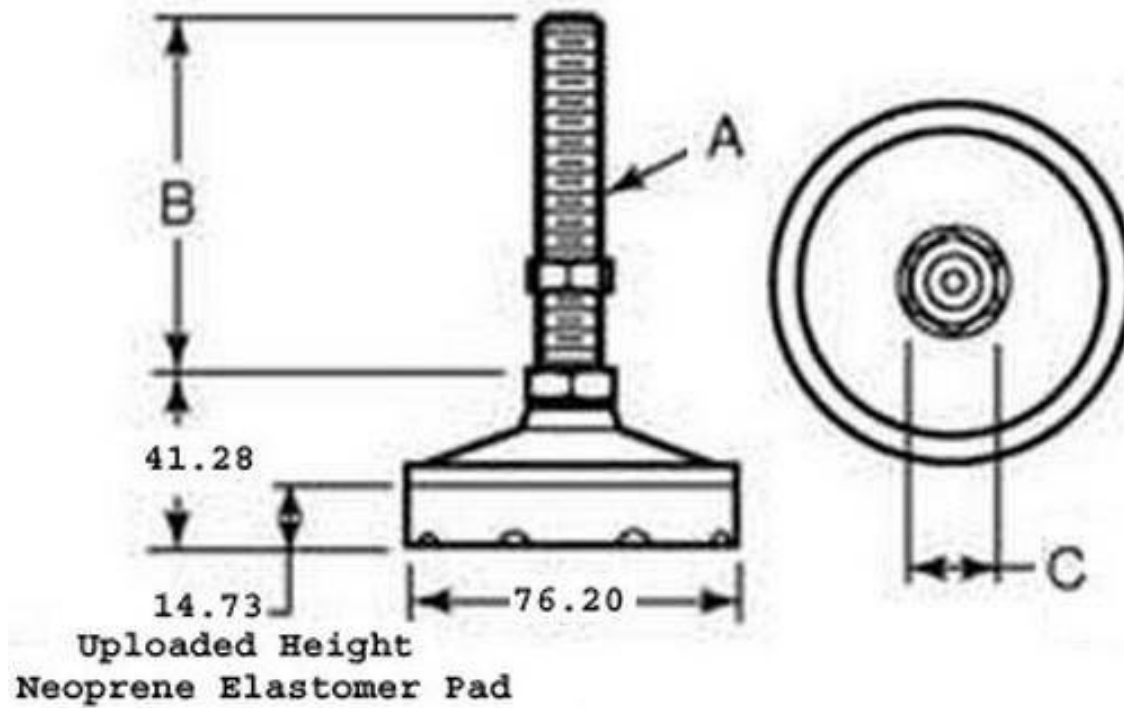
over 12mm of black neoprene permanently bonded to the base. Neoprene operating temperature -20 to 80 <sup>o</sup>C.

Steel parts are zinc plated with black chromate finish.

# Indicates item not stocked at time of printing - Please enquire for lead time

E&OE Pricing and all details subject to change without notice - Copyright Miniature Bearings Australia Pty Ltd

MBA Size Listings are a guide to sizes only and must not be solely relied on for critical design information.



# Indicates item not stocked at time of printing - Please enquire for lead time

E&OE Pricing and all details subject to change without notice - Copyright Miniature Bearings Australia Pty Ltd

MBA Size Listings are a guide to sizes only and must not be solely relied on for critical design information.

## Mounts - Leveling - Anti-Vibration - Studded Type

Part Number	Load Kg	Thread	Thread Length (B) mm	Hex Flats (C) mm
			<i>inches</i>	<i>inches</i>
# MLV-0180-M12-051-S1	180	M12.0x1.75 (12.0mm)	51.000 <i>2.008</i>	19.000 <i>0.748</i>
# MLV-0180-M12-084-S1	180	M12.0x1.75 (12.0mm)	84.000 <i>3.307</i>	19.000 <i>0.748</i>
# MLV-0180-1270C-051-S1	180	1/2-13 UNC (12.700mm)	50.800 <i>2.000</i>	19.050 <i>0.750</i>
# MLV-0180-1270C-102-S1	180	1/2-13 UNC (12.700mm)	101.600 <i>4.000</i>	19.050 <i>0.750</i>
# MLV-0360-M12-051-S1	360	M12.0x1.75 (12.0mm)	51.000 <i>2.008</i>	19.000 <i>0.748</i>
# MLV-0360-M12-084-S1	360	M12.0x1.75 (12.0mm)	84.000 <i>3.307</i>	19.000 <i>0.748</i>
# MLV-0360-1270C-051-S1	360	1/2-13 UNC (12.700mm)	50.800 <i>2.000</i>	19.050 <i>0.750</i>
# MLV-0360-1270C-102-S1	360	1/2-13 UNC (12.700mm)	101.600 <i>4.000</i>	19.050 <i>0.750</i>
# MLV-0540-M12-051-S1	540	M12.0x1.75 (12.0mm)	51.000 <i>2.008</i>	19.000 <i>0.748</i>
# MLV-0540-1270C-051-S1	540	1/2-13 UNC (12.700mm)	50.800 <i>2.000</i>	19.050 <i>0.750</i>

# Indicates item not stocked at time of printing - Please enquire for lead time

E&OE Pricing and all details subject to change without notice - Copyright Miniature Bearings Australia Pty Ltd

MBA Size Listings are a guide to sizes only and must not be solely relied on for critical design information.

## Mounts - Leveling - Anti-Vibration - Studded Type

Part Number	Load Kg	Thread	Thread Length (B) mm	Hex Flats (C) mm
			<i>inches</i>	<i>inches</i>
# MLV-0540-1270C-102-S1	540	1/2-13 UNC (12.700mm)	101.600	19.050
			<i>4.000</i>	<i>0.750</i>

# Indicates item not stocked at time of printing - Please enquire for lead time

E&OE Pricing and all details subject to change without notice - Copyright Miniature Bearings Australia Pty Ltd

MBA Size Listings are a guide to sizes only and must not be solely relied on for critical design information.

DISTRIBUTED BY

Distributed By:

