



Mounts - Leveling - Machine - Cushioned

9/4/2018

Indicates item not stocked at time of printing - Please enquire for lead time

E&OE Pricing and all details subject to change without notice - Copyright Miniature Bearings Australia Pty Ltd

MBA Size Listings are a guide to sizes only and must not be solely relied on for critical design information.

INFORMATION

Reduces noise and vibration on heavy machinery, compressors and presses. Adjusters.

High strength aluminium alloy mounting plate is embedded in each pad with two tapped mounting holes for installation on all types of machines.

The elastomer compound used in these pads is highly resistant to oil and chemicals.

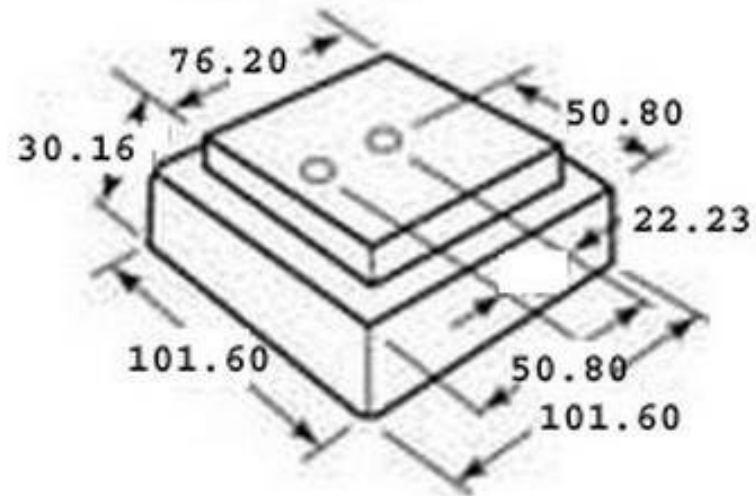
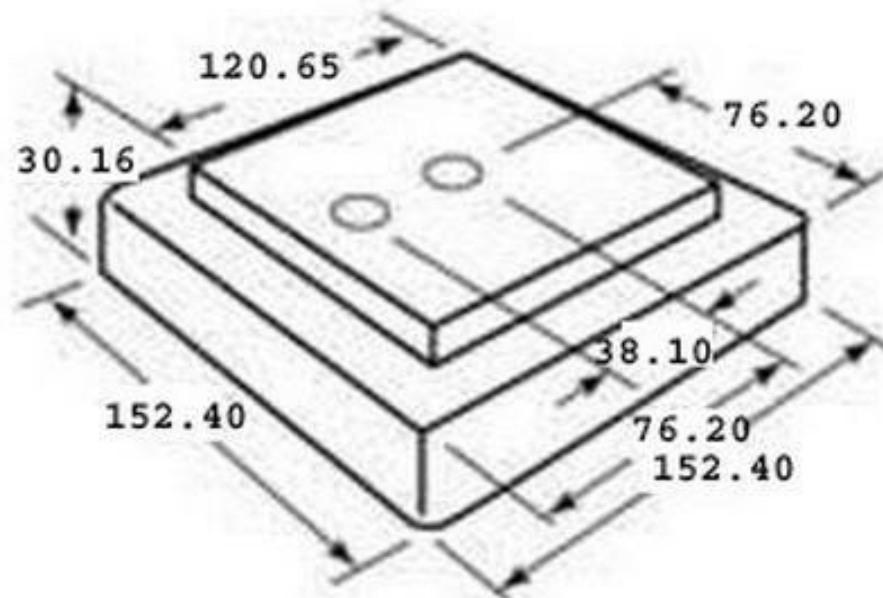
1/2 UNC thread cold forged x 2.5 inch bolt supplied with each mount.

Thousands of tiny suction pockets on the bottom prevent the machine from walking or slipping out of position.

Indicates item not stocked at time of printing - Please enquire for lead time

E&OE Pricing and all details subject to change without notice - Copyright Miniature Bearings Australia Pty Ltd

MBA Size Listings are a guide to sizes only and must not be solely relied on for critical design information.



Indicates item not stocked at time of printing - Please enquire for lead time

E&OE Pricing and all details subject to change without notice - Copyright Miniature Bearings Australia Pty Ltd

MBA Size Listings are a guide to sizes only and must not be solely relied on for critical design information.

Mounts - Leveling - Machine - Cushioned

Part Number	Load Kg	Size	Height mm <i>inches</i>	Durometer
# MLV-1810-MC-101	1810	101.60 x 101.60	30.160 <i>1.187</i>	60
# MLV-1810-MC-152	1810	152.40 x 152.40	30.160 <i>1.187</i>	60
# MLV-4540-MC-101	4540	101.60 x 101.60	30.160 <i>1.187</i>	80
# MLV-4540-MC-152	4540	152.40 x 152.40	30.160 <i>1.187</i>	80

Indicates item not stocked at time of printing - Please enquire for lead time

E&OE Pricing and all details subject to change without notice - Copyright Miniature Bearings Australia Pty Ltd

MBA Size Listings are a guide to sizes only and must not be solely relied on for critical design information.

DISTRIBUTED BY

Distributed By:

