



Mounts - Leveling - Nylon - Socket Type - No Lag Holes

9/4/2018

Indicates item not stocked at time of printing - Please enquire for lead time

E&OE Pricing and all details subject to change without notice - Copyright Miniature Bearings Australia Pty Ltd

MBA Size Listings are a guide to sizes only and must not be solely relied on for critical design information.

INFORMATION

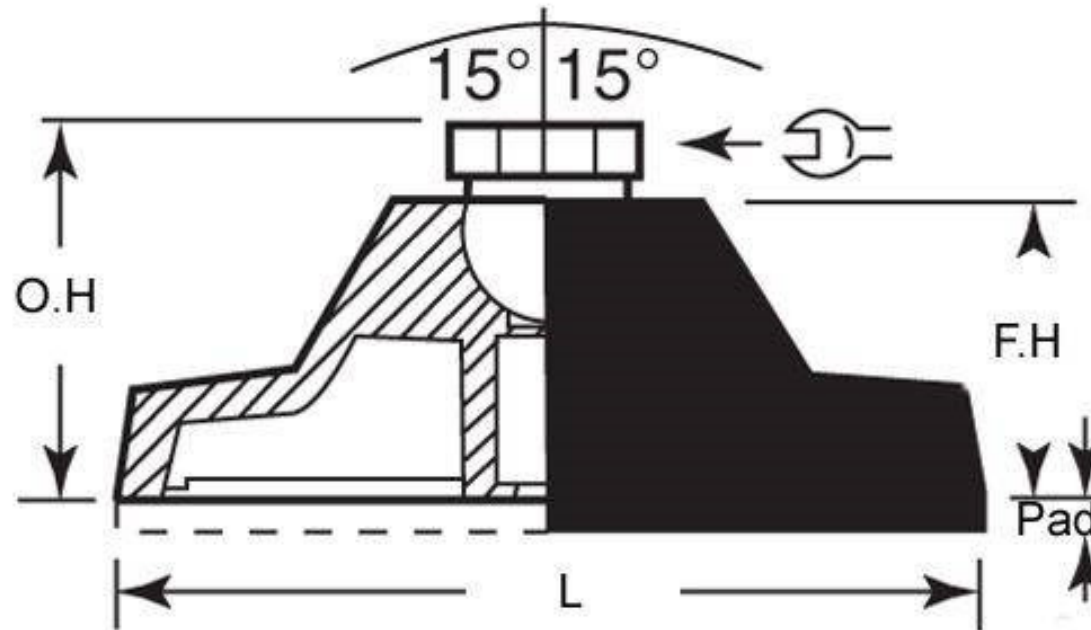
Steel and stainless steel socket internal threads. Use your own custom thread length. Adjusters.

This catalogue to be read in conjunction with information at <http://www.minibearings.com.au//partslist/mountslevelingvibrationpadsrubber/>

Indicates item not stocked at time of printing - Please enquire for lead time

E&OE Pricing and all details subject to change without notice - Copyright Miniature Bearings Australia Pty Ltd

MBA Size Listings are a guide to sizes only and must not be solely relied on for critical design information.



Indicates item not stocked at time of printing - Please enquire for lead time

E&OE Pricing and all details subject to change without notice - Copyright Miniature Bearings Australia Pty Ltd

MBA Size Listings are a guide to sizes only and must not be solely relied on for critical design information.

Mounts - Leveling - Nylon - Socket Type - No Lag Holes

Part Number	Load Kg	Thread	Base Diameter mm	Foot Height mm	Overall Height mm	Material mm	Pad Thickness mm
			<i>inches</i>	<i>inches</i>	<i>inches</i>	<i>inches</i>	<i>inches</i>
# MLV-0057-1905C-N2-3	900	3/4-10 UNC (19.050mm)	113.792	44.958	57.404	Stainless Steel	9.65
			<i>4.480</i>	<i>1.770</i>	<i>2.260</i>		<i>0.380</i>
# MLV-0057-1905C-N2	900	3/4-10 UNC (19.050mm)	113.792	44.958	57.404	Steel	9.65
			<i>4.480</i>	<i>1.770</i>	<i>2.260</i>		<i>0.380</i>
# MLV-0034-1270C-N2-3	1170	1/2-13 UNC (12.700mm)	101.600	18.542	34.290	Stainless Steel	2.54
			<i>4.000</i>	<i>0.730</i>	<i>1.350</i>		<i>0.100</i>
# MLV-0034-1905C-N2-3	1170	3/4-10 UNC (19.050mm)	101.600	18.542	34.290	Stainless Steel	2.54
			<i>4.000</i>	<i>0.730</i>	<i>1.350</i>		<i>0.100</i>
# MLV-0034-1590C-N2-3	1170	5/8-11 UNC (15.875mm)	101.600	18.542	34.290	Stainless Steel	2.54
			<i>4.000</i>	<i>0.730</i>	<i>1.350</i>		<i>0.100</i>
# MLV-0034-1590C-N2	1170	5/8-11 UNC (15.875mm)	101.600	18.542	34.290	Steel	2.54
			<i>4.000</i>	<i>0.730</i>	<i>1.350</i>		<i>0.100</i>

Indicates item not stocked at time of printing - Please enquire for lead time

Page 4 of 4

E&OE Pricing and all details subject to change without notice - Copyright Miniature Bearings Australia Pty Ltd
MBA Size Listings are a guide to sizes only and must not be solely relied on for critical design information.

DISTRIBUTED BY

Distributed By:

