



# **Mounts - Leveling - Nylon - Studded Type - Loc-A-Lign - With Lag Holes**

9/4/2018

# Indicates item not stocked at time of printing - Please enquire for lead time

E&OE Pricing and all details subject to change without notice - Copyright Miniature Bearings Australia Pty Ltd

MBA Size Listings are a guide to sizes only and must not be solely relied on for critical design information.

Page 1 of 5

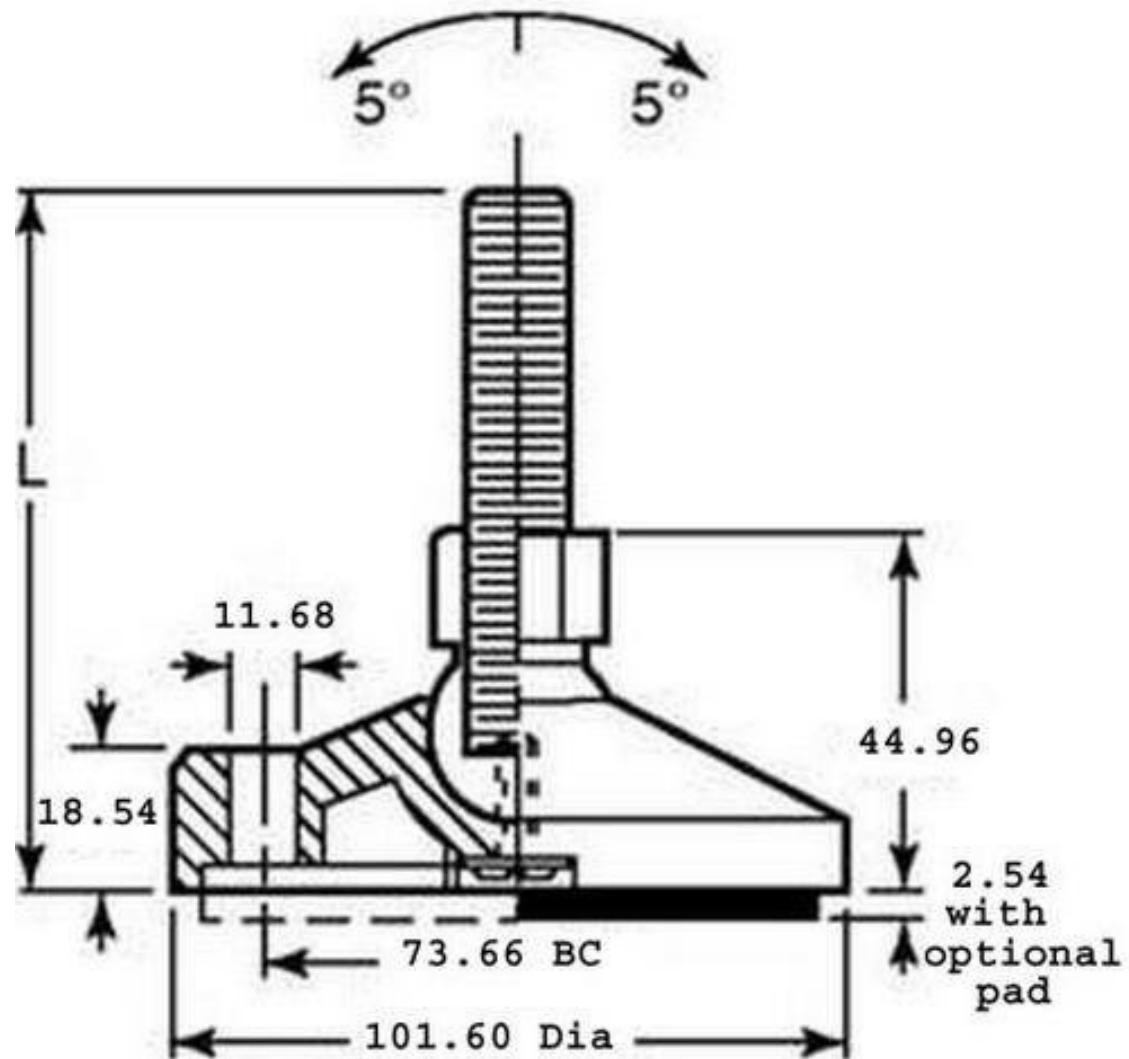
## INFORMATION

Adjusters.

# Indicates item not stocked at time of printing - Please enquire for lead time

E&OE Pricing and all details subject to change without notice - Copyright Miniature Bearings Australia Pty Ltd

MBA Size Listings are a guide to sizes only and must not be solely relied on for critical design information.



# Indicates item not stocked at time of printing - Please enquire for lead time

E&OE Pricing and all details subject to change without notice - Copyright Miniature Bearings Australia Pty Ltd

MBA Size Listings are a guide to sizes only and must not be solely relied on for critical design information.

## Mounts - Leveling - Nylon - Studded Type - Loc-A-Lign - With Lag Holes

Part Number	Load Kg	Thread	Base Diameter mm	Foot Height mm	Thread Length mm	Overall Height (L) mm	Distance Between Lags mm	Lag Hole Diameter mm	Material
			<i>inches</i>	<i>inches</i>	<i>inches</i>	<i>inches</i>	<i>inches</i>	<i>inches</i>	
# MLV-0227-1905C-N3-B	1180	3/4-10 UNC (19.050mm)	101.600	18.542	226.568	271.526	73.660	11.684	Steel
			<i>4.000</i>	<i>0.730</i>	<i>8.920</i>	<i>10.690</i>	<i>2.900</i>	<i>0.460</i>	
# MLV-0227-1905C-N3-3	1180	3/4-10 UNC (19.050mm)	101.600	18.542	226.568	271.526	73.660	11.684	Stainless Steel
			<i>4.000</i>	<i>0.730</i>	<i>8.920</i>	<i>10.690</i>	<i>2.900</i>	<i>0.460</i>	
# MLV-0150-1905C-N3-C	1180	3/4-10 UNC (19.050mm)	101.600	18.542	150.368	195.326	73.660	11.684	Steel
			<i>4.000</i>	<i>0.730</i>	<i>5.920</i>	<i>7.690</i>	<i>2.900</i>	<i>0.460</i>	
# MLV-0150-1905C-N3-3-B	1180	3/4-10 UNC (19.050mm)	101.600	18.542	150.368	195.326	73.660	11.684	Stainless Steel
			<i>4.000</i>	<i>0.730</i>	<i>5.920</i>	<i>7.690</i>	<i>2.900</i>	<i>0.460</i>	
# MLV-0150-1590C-N3-B	1180	5/8-11 UNC (15.875mm)	101.600	18.542	150.368	195.326	73.660	11.684	Steel
			<i>4.000</i>	<i>0.730</i>	<i>5.920</i>	<i>7.690</i>	<i>2.900</i>	<i>0.460</i>	
# MLV-0150-1590C-N3-3-C	1180	5/8-11 UNC (15.875mm)	101.600	18.542	150.368	195.326	73.660	11.684	Stainless Steel
			<i>4.000</i>	<i>0.730</i>	<i>5.920</i>	<i>7.690</i>	<i>2.900</i>	<i>0.460</i>	
# MLV-0231-2540C-N3	4490	1-8 UNC (25.400mm)	122.936	14.478	231.140	303.530	98.552	13.208	Steel
			<i>4.840</i>	<i>0.570</i>	<i>9.100</i>	<i>11.950</i>	<i>3.880</i>	<i>0.520</i>	
# MLV-0180-2540C-N3-3	4490	1-8 UNC (25.400mm)	122.936	14.478	180.340	252.730	98.552	13.208	Stainless Steel
			<i>4.840</i>	<i>0.570</i>	<i>7.100</i>	<i>9.950</i>	<i>3.880</i>	<i>0.520</i>	

# Indicates item not stocked at time of printing - Please enquire for lead time

Page 4 of 5

E&OE Pricing and all details subject to change without notice - Copyright Miniature Bearings Australia Pty Ltd  
MBA Size Listings are a guide to sizes only and must not be solely relied on for critical design information.

## Mounts - Leveling - Nylon - Studded Type - Loc-A-Lign - With Lag Holes

Part Number	Load Kg	Thread	Base Diameter mm	Foot Height mm	Thread Length mm	Overall Height (L) mm	Distance Between Lags mm	Lag Hole Diameter mm	Material
# MLV-0180-2540C-N3	4490	1-8 UNC (25.400mm)	122.936 <i>4.840</i>	14.478 <i>0.570</i>	180.340 <i>7.100</i>	252.730 <i>9.950</i>	98.552 <i>3.880</i>	13.208 <i>0.520</i>	Steel
# MLV-0117-2540C-N3	4490	1-8 UNC (25.400mm)	122.936 <i>4.840</i>	14.478 <i>0.570</i>	116.840 <i>4.600</i>	189.230 <i>7.450</i>	98.552 <i>3.880</i>	13.208 <i>0.520</i>	Steel
# MLV-0231-3175C-N3	4490	1.1/4-7 UNC (31.750mm)	122.936 <i>4.840</i>	14.478 <i>0.570</i>	231.140 <i>9.100</i>	303.530 <i>11.950</i>	98.552 <i>3.880</i>	13.208 <i>0.520</i>	Steel
# MLV-0180-3175C-N3	4490	1.1/4-7 UNC (31.750mm)	122.936 <i>4.840</i>	14.478 <i>0.570</i>	180.340 <i>7.100</i>	252.730 <i>9.950</i>	98.552 <i>3.880</i>	13.208 <i>0.520</i>	Steel

# Indicates item not stocked at time of printing - Please enquire for lead time

E&OE Pricing and all details subject to change without notice - Copyright Miniature Bearings Australia Pty Ltd  
MBA Size Listings are a guide to sizes only and must not be solely relied on for critical design information.

DISTRIBUTED BY

Distributed By:

